



TS 79
—

Door Closer

THE INEXPENSIVE COMPACT QUALITY SOLUTION FOR STANDARD DOORS ASSURED

With the TS 79, DORMA has developed a door closer that rounds off its ClassicLine series perfectly. The ease and speed with which it can be fixed, the fact that its spring strength can be so easily adapted to the door size – by simply turning round the closer arms power shoe and changes in template position

Plus points

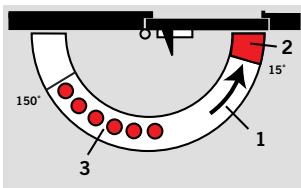
For the trade

- Increased stocking flexibility thanks to the standard ClassicLine series arm.
- Complements the ClassicLine series as a competitive model for standard doors

For the installer

- Non-handed design.
- Easy and quick to fix.

Functions



- 1 Closing speed adjustable in the range 180° – 15°.
- 2 Closing speed adjustable in the range 15° – 0°.
- 3 Hold-open range for model with hold-open arm model (optional extra).

Closing force settings

Door width	Size setting
≤ 850	EN 2
≤ 950	EN 3
≤ 1100	EN 4

The TS 79's size setting is selected for the door width by moving the closer body and/or turning the arm power shoe.

allows an easy selection of the closing force to suit various door sizes. Its competitive price should make it the ideal choice for your application.

Certified to ISO 9001

For the specifier/architect

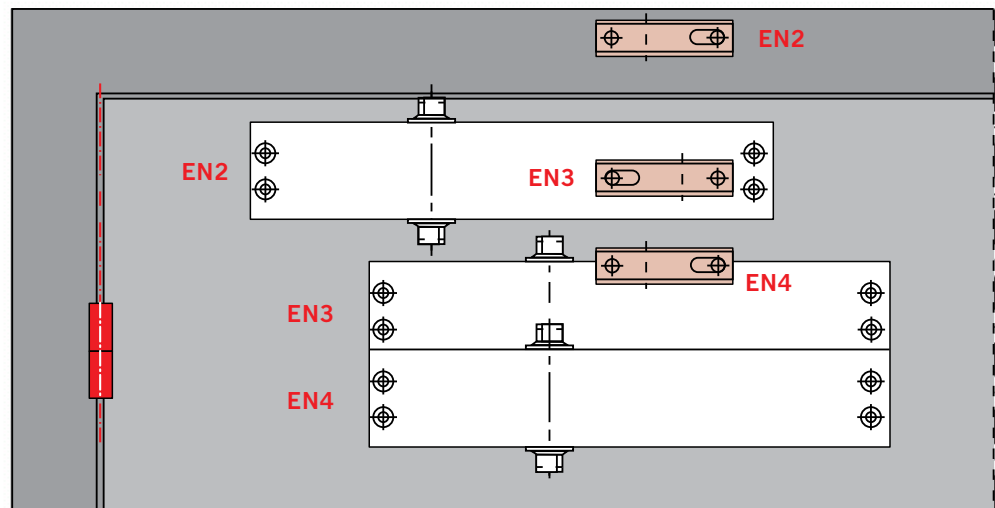
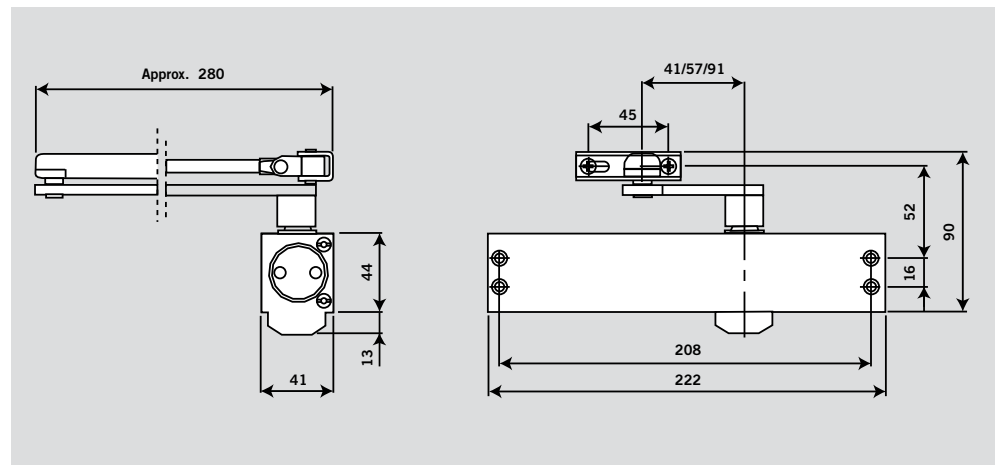
- Competitive and reliable.
- Compact construction combined with classic design.

For the user

- Constant closing action virtually unaffected by temperature fluctuations.
- Optimum closing speed adjustment with two regulating valves.
- Reliable closing with adjustable latching action.

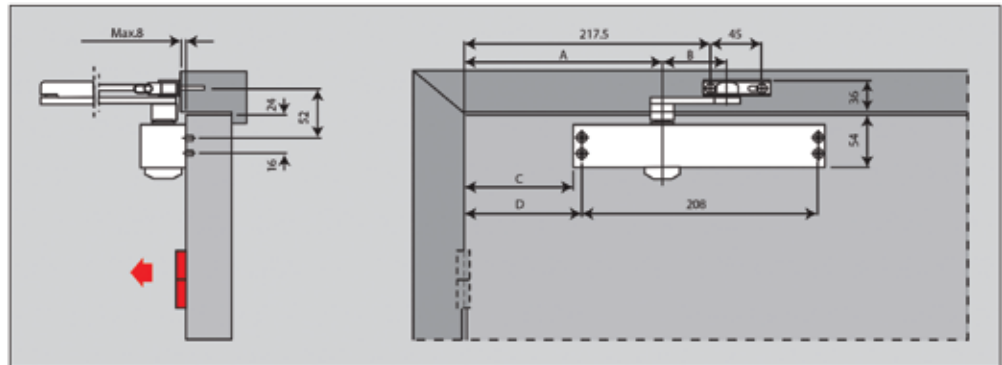
Data and features		TS 79
Spring strength (adjustable by size by power shoe and templating position)	Size	EN 2/3/4
Standard doors	≤ 1100 mm	●
External doors, opening outwards		●
Fire doors		●
Non-handed		●
Arm type standard scissor arm		●
Closing speed adjustable at 2 separate valves	180° – 15°	●
	15° – 0°	
Backcheck		●
Delayed action		–
Hold-open		○
Weight in kg		1.7
Dimensions in mm	Length	222
	Overall depth	41
	Height	44
Approved to AS1905 Part 1 Fire Resistant Doors (Backcheck model only)		●

● Yes – no ○ Option



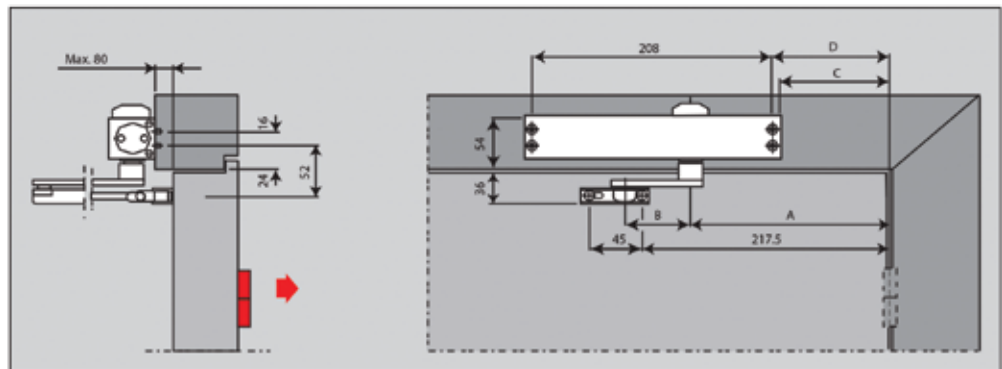
DOOR-LEAF FIXING, PULL SIDE

	EN 2	EN 3	EN 4
A	141	191	191
B	91	57	41
C	62	112	112
D	70	120	120

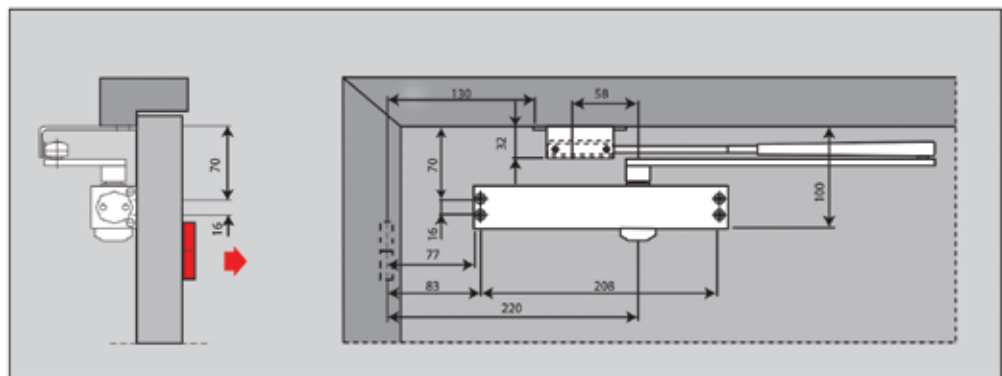


TRANSOM FIX (OVERHEAD FRAME INSTALLATION), PUSH SIDE

	EN 2	EN 3	EN 4
A	141	191	191
B	91	57	41
C	62	112	112
D	70	120	120



PARALLEL ARM FIXING, PUSH SIDE



With this fixing method, the closing force is approx. 20NM (for doors up to 950mm)

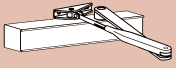
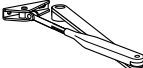
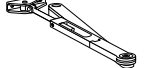

Standard equipment

Order number:

- Closer body and arm
- Arm assembly separate
- #** Accessory

Colour **xx**

- Silver 01
- Special colour 09

Closer body with arm	Standard arm	Hold-open arm	Parallel arm bracket
			
Size EN 2/3/4 223157xx Std arm DC223155xx H/O	<input checked="" type="checkbox"/> 220023xx <input type="checkbox"/>	<input checked="" type="checkbox"/> 220025xx <input type="checkbox"/>	# 280066xx



DORMA Australia P/L
Head Office
46-52 Abbott Road,
Hallam, Victoria 3803
Telephone (03) 8795 0666
Facsimile (03) 8795 0280
Toll Free Facsimile
1800 333 309

DORMA NZ Limited
Head Office
Building P
61-69 Patiki Road
Avondale
Auckland 1026
Telephone (09) 830 2052
Facsimile (09) 820 4909