

A detailed black and white photograph of a door closer mechanism. The main component is a large, circular metal housing with a central mounting point. A metal arm extends from the center, ending in a square-shaped bracket with a circular hole. The housing has several small circular holes around its perimeter. The image is partially overlaid by a white rectangular box containing the text "RTS 84".

RTS 84

Transom Concealed Door Closer

THE TRANSOM CLOSER SOLUTION FOR DOORS WITH ELECTRONIC SECURITY INSTALLED

Ideal for shopfitting for single action security doors, the RTS 84 provides a concealed, versatile, practical and quality assured solution. The DORMA RTS 84 overcomes the common problem associated with transom concealed closers and electronic security installations. Combining a 3° offset spindle to the RTS 84 removes the threat of inefficient door closing due to the non positive pressure associated with pivot mechanisms.

Especially designed for single action pivot doors utilising electronic security, the RTS 84 maintains the aesthetic appearance of the door or floor surface. The majority of preparation can be accomplished by the fabricator prior to installation, leaving minimal on-site work. A complete line of accessories is available to accommodate virtually any door and frame.

Plus points

For the trade

- Available on request with weaker spring for special requirements
- Just one body for all types of fixings
- Retrofittable in place of most standard transom closers

For the installer

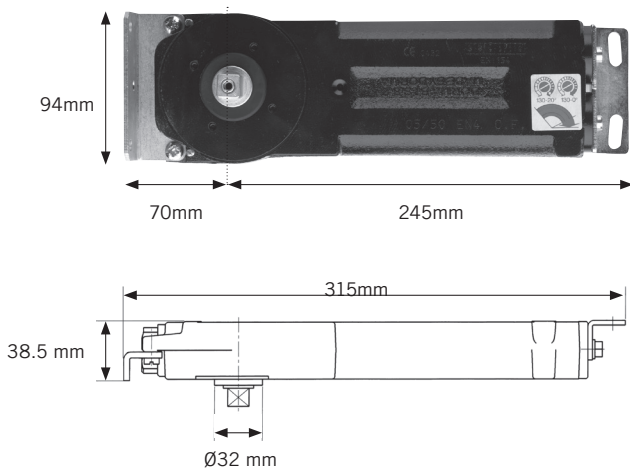
- No floor preparation necessary
- Comprehensive range of accessories
- Installation and setting adjustment possible before fixing the door set on site

For the specifier/architect

- Ideal for shop fitting and office door applications with electronic security installed
- Concealed unit for invisible installation

For the user

- No cluttering of door or floor appearance
- Optional single point hold open
- Peace of mind knowing that your electronic security will engage by having the right transom closer installed for secure applications



Data and features		RTS 84	
Spring strength		EN 2	EN 4
Standard doors	up to 850mm 1100mm	○	–
Single action doors	(ISO5 handing) (ISO6 handing)	*	*
Closing speed variable by valve adjustment		●	●
Backcheck		–	–
Delayed action		–	–
Hold open point 90°		○	○
Weight in kgs		5	5
Dimensions in millimetres (body and fixing brackets only)	Length	315	315
	Width	94	94
	Height	38.5	38.5

● Yes – No ○ Option * Handed product

1) Maximum door opening angle 130°

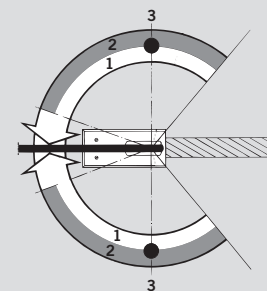
Door stop necessary for doors which can open further than 130°

2) Maximum door weight for floor pivot –

8550 and 8551 - 90kgs

8560G with 7421 or 7422 bottom strap - 200kgs

- 1 First adjusting closing range (130° - 0°)
- 2 Second adjusting closing range (130° - 20°)
- 3 Hold Open at 90° (optional extra)



The 3° offset spindle supplied as standard with all RTS84 transom closers provides for dependable positive pressure, securing doors against installed electronic security locks. (ISO5 handing shown)



ACCESORIES FOR SINGLE ACTION CENTRE PIVOTED DOORS WITH SIDE LOAD INSTALLATION (70MM PIVOT POINT)

Side load installation is achieved by offering the door in the closed position, onto the floor pivot. The closer arm, fitted in the upper door rail, is connected to the spindle and secured with a clamping piece.

1 Closer arm with arm channel **Art.-No. 8530**
For top rails with a minimum 15mm channel depth and 38mm width. Minimum timber door thickness 48mm.

2 Closer arm side load **Art.-No. D080.12**
For timber doors with a minimum door thickness of 35mm. For doors above 48mm use Art.-No. 8530 Closer arm with arm channel.

3 Floor pivot set, total height 27mm **Art.-No. 8550**
For bottom rails with channel depth of 18-20mm. Floor portion of pivot is fitted directly to floor. Typical bottom pivot for timber door application.

4 Floor pivot set, total height 57mm **Art.-No. 8551**
For bottom rails with channel depth of 18-50mm. (Floor portion may be shortened to suit bottom rail). Floor portion of pivot is fitted directly to floor. Typical bottom pivot for aluminium door application.

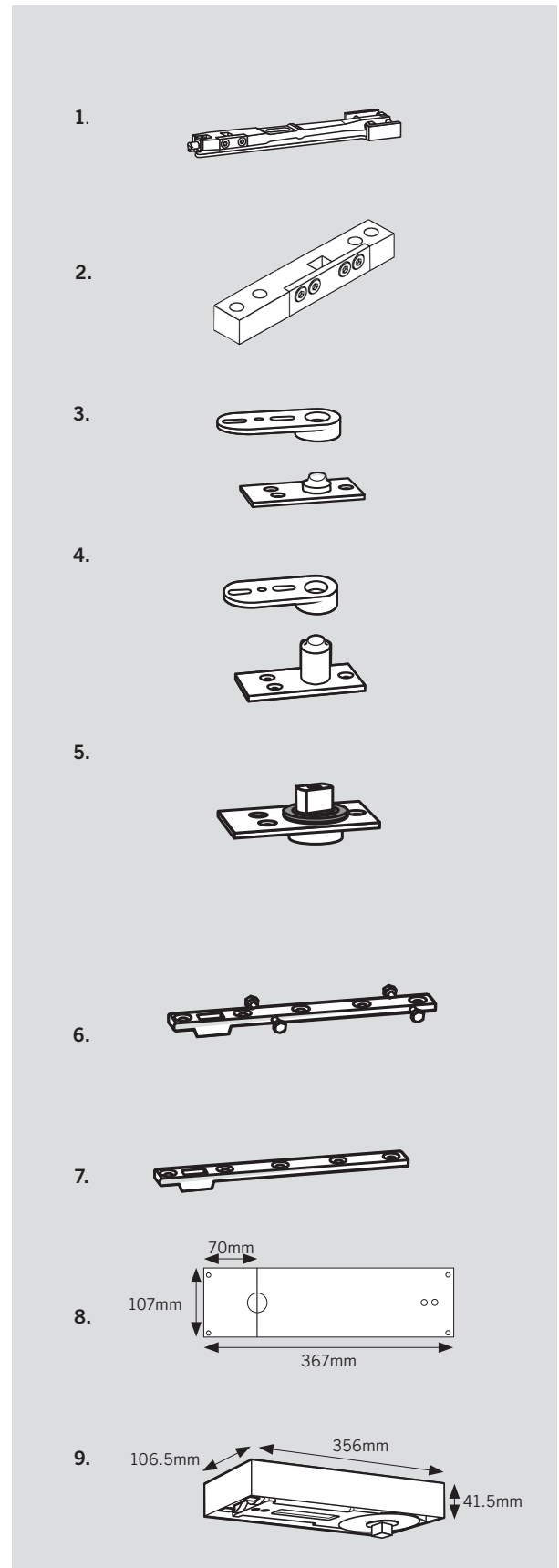
5 Floor pivot bearing with flat tapered spindle **Art.-No. 8560G**
With sealed roller bearing assembly, rust protected, for maximum door weights of 200kg when used with the RTS84, 7421 or 7422 bottom strap. Special pivots also available with extended spindles of 5, 10, 15, 20 and 50mm. Also available with standard spindle height for special environments (e.g. wet rooms) in stainless steel; Art.-No. 8560GE. Furthermore suitable for use on frameless glass doors when combined with DORMA bottom patch fittings and rails.

6 Bottom strap for Aluminium door **Art.-No. 7422**
Drop forged steel, zinc plated; adjustable to various frame profiles, for use with the 8560G bottom pivot.

7 Bottom strap for Timber door **Art.-No. 7421**
Drop forged steel, zinc plated door strap, for use with the 8560G bottom pivot.

8 Cover plate **Art.-No. RTS84S**
Cover plate for concealing transom closer in pressed metal or timber frames or plaster ceiling installations.

9 Metal box **Art.-No. RTS85MB**
Designed for ease of installation as a weld in option for pressed metal door frames or for mounting to steel or timber support structures in the ceiling. The metal box is pre prepared for the supplied fixing brackets and screw on cover plate.





DORMA Australia
Head Office
46-52 Abbott Road
HALLAM
Victoria 3803
Phone 1800 675 411
info.au@dorma.com
www.dorma.com.au

DORMA NZ Limited
Head Office
Building P
61-69 Patiki Road
AVONDALE
Auckland 1026
Phone 0800 436 762
info.nz@dorma.com