



Your business can earn Qantas Points with us*.

*Find out more by calling Access Hardware customer service on 1800 555 600 or visit accesshardware.com.au. T&Cs apply. qantasbusinessrewards.com/terms and accesshardware.com.au/qbr

FLUSH BOLTS

SUITABLE FOR TIMBER AND METAL DOORS

- Extension rod suits aluminium type flush bolts
- Commonly used on double doors to lock the inactive leaf
- Designed for flush installation
- Commonly installed on both the top and bottom of door
- Concealed installation on non-rebated doors
- Visible installation on rebated doors
- Timber flush bolts have a 25mm throw and a 10mm bolt diameter
- Aluminium flush bolts have a 18mm throw and a 12mm bolt diameter



FLUSH BOLTS

FUNCTIONS

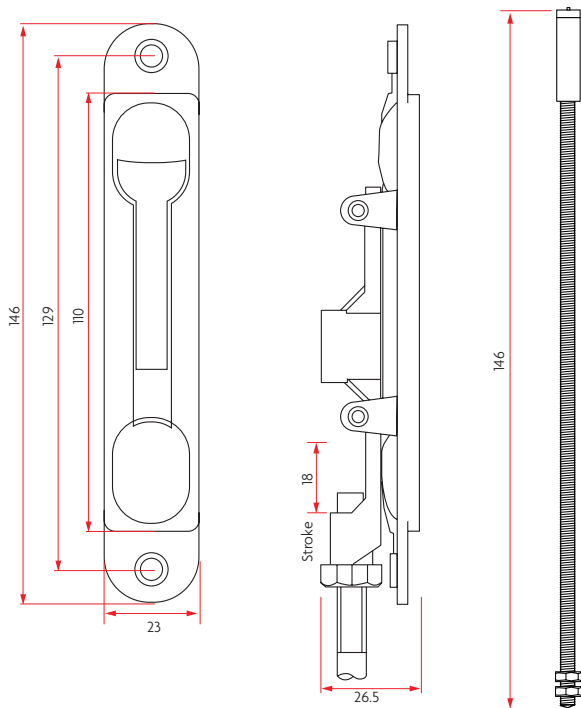
The Sabre range of timber, aluminium and metal door flush bolts are ideal in concealing the bolt mechanism of double doors. If installed on the doors edge the bolt can only be operated if the

active door is open. If securing is not a priority installation can also be made on the internal door face for easier access however door thick can reduce the ability to install in this method.

ALUMINIUM - INC. ROD

SAB-FB-A-300-CA
SAB-FB-A-600-CA

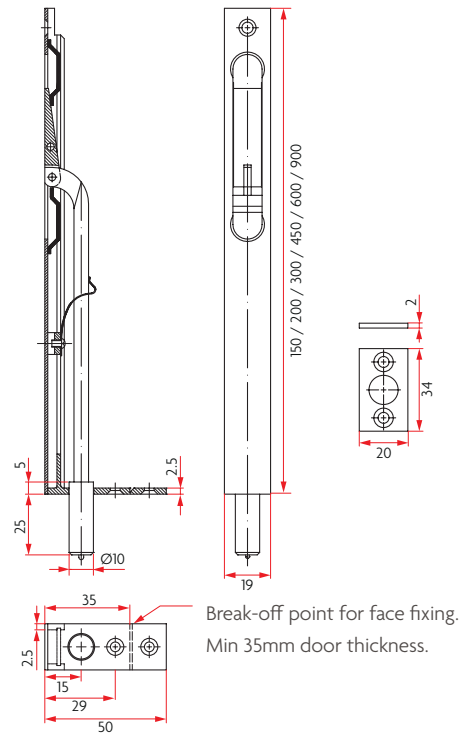
- Made from Die Cast Zinc Alloy Body
- Suitable for aluminium or metal doors
- 18mm throw
- 12mm bolt diameter
- 8mm threaded bolt



TIMBER

SAB-FB-T-150-SC SAB-FB-T-450-SC
SAB-FB-T-200-SC SAB-FB-T-600-SC
SAB-FB-T-300-SC SAB-FB-T-900-SC

- Lengths include: 150mm, 200mm, 300mm, 450mm, 600mm, 900mm.
- Timber fixings are supplied as standard including strike plate.
- 25mm throw



ALUMINIUM - BODY ONLY

SAB-FB-A-CA

- Made from Die Cast Zinc Alloy Body
- Suitable for aluminium or metal doors
- 18mm throw



EXTENSION ROD

SAB-FB-A-EX300
SAB-FB-A-EX600

- 8mm zinc plated continuous threaded rod
- Centre punch tip to mark centre of keeper
- Zinc plated hardened steel bolt with anti-rattle sleeve.



ACCESSORIES



SAB-TH1760-ALY
Top Hat Ferrule



SAB-DPS-13-SSS
Dust Proof Socket