

Automatic Door Bottom Seals

IS8035si, IS8036si



Medium duty, automatic door bottom seals which can be semi-rebated (IS8035si) or face-fixed (IS8035si or IS8036si) to the bottom edge of single action doors. The seals have a spring loaded mechanism which lifts the seal clear of the floor as soon as the door is opened. Pressure against the door jamb on the adjustable strike button operates the seal automatically.

IS8035si: This seal can be face-fixed or semi-rebated to the door bottom using the fixings provided. When the seal is to be semi-rebated, the seal is mounted into a 37mm deep x 13mm wide machined groove. The screw line is covered by an aesthetic flexible PVC cover strip.

IS8036si: This seal is face-fixed to the bottom edge of single action doors. It has an architectural 'curved' cover plate to conceal fixing points and provide an aesthetic finish.

Both seals have brass adjustment buttons and injection moulded, push-fit nylon end plates plus a high efficiency mechanism to assist with the closing force requirements detailed in AS1428/1 (Design for Access and Mobility).

Gap size

- Min. 3mm / max. 10mm

Standard lengths

- 380mm
- 600mm
- 820mm
- 920mm
- 1070mm
- 1220mm

IS8035si and IS8036si

maximum allowable cut-back sizes:

- 380mm seal cuts to 275mm
 - 600mm seal cuts to 380mm
 - 820mm seal cuts to 600mm
 - 920mm seal cuts to 820mm
 - 1070mm seal cuts to 920mm
 - 1220mm seal cuts to 1070mm
- (*Seal can be cut on site for exact dimensions)

IS8035si Standard colours

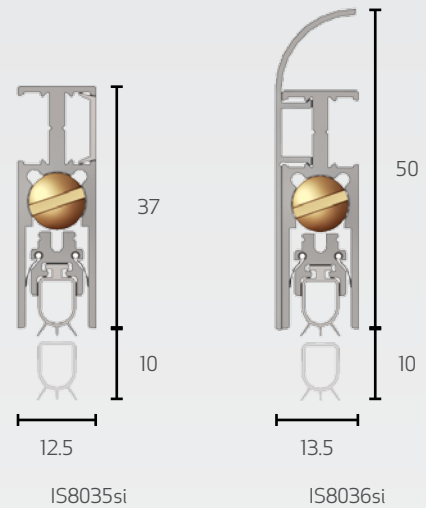
- Silver anodised aluminium with grey end plates, grey cover strip and grey silicone gasket.
- Black anodised aluminium with black end plates, black cover strip and black silicone gasket.

IS8036si Standard colour

- Silver anodised aluminium cover plate with grey end plates and grey silicone gasket.

Approval/s

- Fire tested to AS1530 Part 4 in accordance with AS1905 Part 1
- Certifications GYI.R26629, GVWZ.R26629, GVWZ7.R26629
- Medium temperature smoke leakage approvals to AS1530 Part 7 available on proprietary door assemblies
- Conforms with NCC Specification C3.4 smoke sealing requirements
- Acoustically tested in accordance with AS1191, ISO140.3 & ISO10140-2
- Durability tests demonstrating over 1,000,000 open & close cycles



Right: IS8035si seal face-fixed to a timber door bottom, with nylon push-fit end plate.

Right: IS8035si seal semi-rebated into a timber door bottom, with nylon push-fit end plate.

Right: IS8036si seal face-fixed onto a timber door bottom, with nylon push-fit end plate.

