

Sweep Action Seals

IS5110, IS5115, IS5120, IS5130



These brush seals are designed to be used around the head & jamba, door bottom and meeting stiles of single or double swing doors, revolving, tilt-up and roller doors. These seals help protect against draught and dust, insects and weather penetration.

The slim-line carriers are aesthetically angled to avoid dust build-up.

The black nylon brush filaments, which are locked into a galvanized steel strip, are available fitted to an aluminium carrier, or as brush only.

Standard lengths

- 1000mm
- 2250mm
- Also available in: 250mm increments from 1000mm to 3000mm

Standard colours

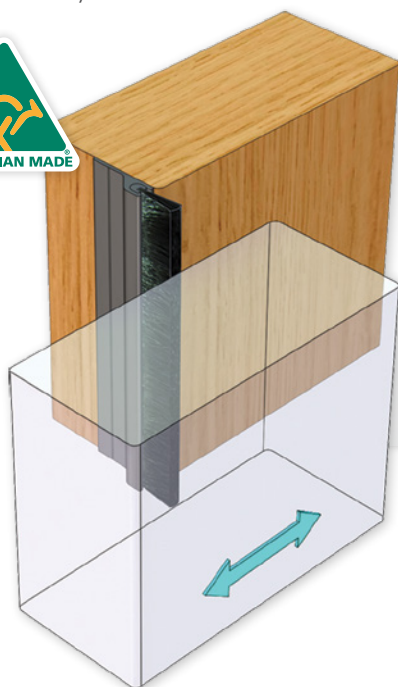
- Silver anodised aluminium carrier with black nylon brush
- Black anodised aluminium carrier with black nylon brush

Fixing

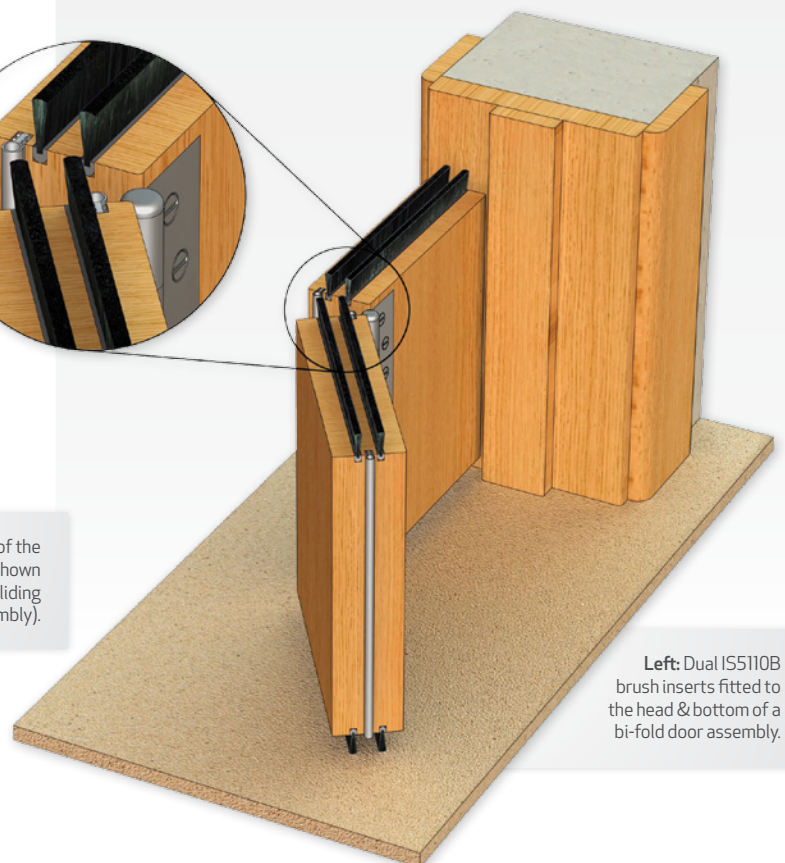
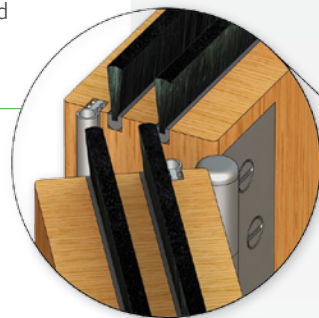
- Brush seals (within carriers) can be screw-fixed or self-adhered to the desired surface
- Fixing screws and aggressive backing tape are supplied
- Brush only seals can be mortised into a nominal 3mm (w) x 4mm (d) groove (with the length slightly kinked for an interference fit)

Approval/s

- Durability tests demonstrating over 100,000 open & close cycles



Left: Example of the IS5115 seal (shown fitted to a sliding door assembly).



Left: Dual IS5110B brush inserts fitted to the head & bottom of a bi-fold door assembly.

