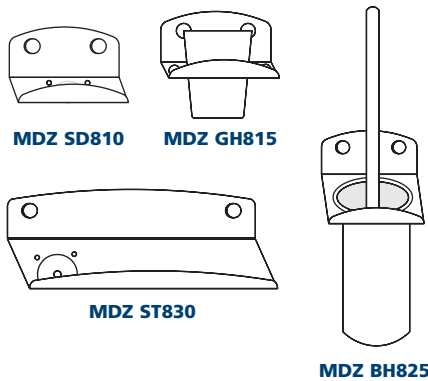


MDZ SD810 / GH815 / BH825 / ST830

FINISH AVAILABLE IN **SSS**



Product No.	Projection mm	Width mm	Centre to centre mm
MDZ SD810	85	120	70
MDZ GH815	85	120	70
MDZ BH825	113	120	70
MDZ ST830	85	280	230