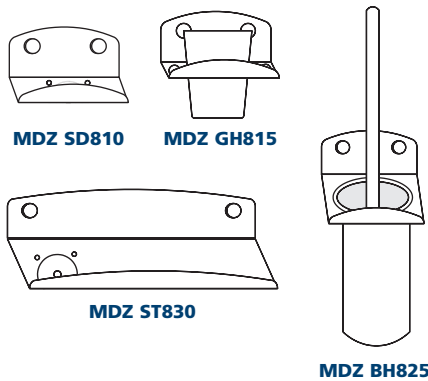


**MDZ SD810 / GH815 / BH825 / ST830**

FINISH AVAILABLE IN **SSS**



Product No.	Projection mm	Width mm	Centre to centre mm
<b>MDZ SD810</b>	85	120	70
<b>MDZ GH815</b>	85	120	70
<b>MDZ BH825</b>	113	120	70
<b>MDZ ST830</b>	85	280	230