



SPECIFICATION

Channel Framed Mirror shall have frame fabricated of alloy 18-8 stainless steel, grade 304, 20 gauge with mitred corners. Mirror glazing shall be warranted for 15 years against silver spoilage. All edges of mirror shall be protected by friction and chafe absorbing fillers. Back of mirror shall be protected by full size shock-absorbing water-resistant filler and full size one piece 20 gauge corrosion protected steel. Top and bottom wall mounting brackets shall be spot welded into "H" hanger and supplied with all required mounting hardware. Mirror shall be secured to lower bracket with a locking screw.

MATERIALS

Frame: alloy 18-8 stainless steel, grade 304, 20 gauge. Unitized all roll-formed one piece construction. Exposed surfaces have satin finish. Edges and corners are burr free. All glazed mirrors are warranted against silver spoilage for 15 years. Filler: Expanded polyethylene microcell foam sheet material, abrasion resistant and shock absorbing, water resistant, 3mm total layer thickness.

INSTALLATION

Install "H" wall brackets level and plumb per diagram location using ONLY No. 10 pan head screws (supplied by others). Hang mirror on brackets and tighten locking screw at bottom (note: this screw should be started prior to hanging mirror on wall brackets). For mounting height standards refer to current Building Code of Australia for able bodied and/or disabled use.

OPTIONAL REFLECTIVE SURFACES

Suffix Description:

- B Tempered glass 6mm polished tempered glass.
- C Stainless steel mirrors grade 304 stainless steel polished to No. 8 mirror finish.
- D Lexan Dura-Mir™ fabricated of 6mm polycarbonate sheet.
- E Plexiglas® 6mm acrylic plastic, lightweight and shatter resistant.
- L Laminated glass 6mm thick.

All standard supplied ASI JD MacDonald mirrors have a super "V" Vinyl backing as an alternative to laminate or tempered glass.

Channel Framed Mirror shall be Model No. 10-0620-V as supplied by ASI JD MacDonald.

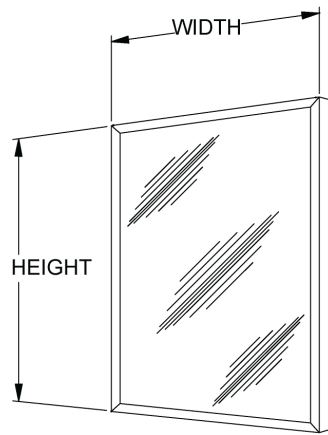
WARRANTY

One year.

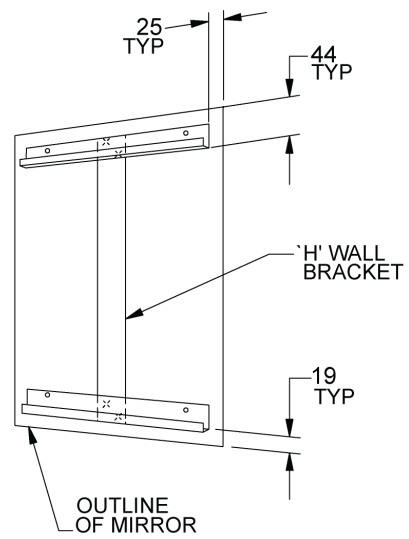
Model No.	Width & Height
10-0620-V1620	410 x 510 mm
10-0620-V1624	410 x 610mm
10-0620-V1630	410 x 760mm
10-0620-V1824	460 x 610mm
10-0620-V1830	460 x 760mm
10-0620-V1836	460 x 910mm
10-0620-V2424	610 x 610mm
10-0620-V2430	610 x 760mm
10-0620-V2436	610 x 910mm
10-0620-V3036	760 x 910mm
10-0620-V3636	910 x 910mm

Note: Overall sizes include 15mm edge satin stainless steel frame. Some sizes may require longer lead times for supply

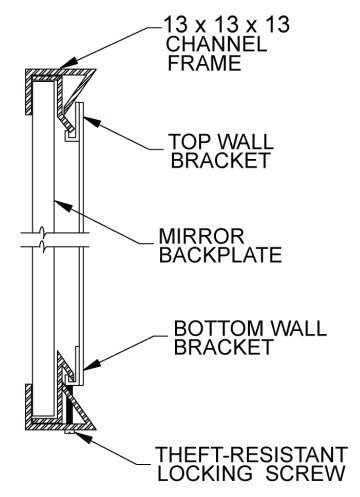
**Channel
Framed Mirror
Model No. 10-0620-V**



FRONT



BRACKET



VERTICAL SECTION

ASI JD MacDonald reserves the right to, and does from time to time, make changes and improvements in design and dimensions. The photographs and line drawings of the products in this flyer are representational only. All dimensions are in millimetres unless otherwise stated.