

RP27



A heavy duty threshold plate designed for sill and carpet edge protection.

Can be used in conjunction with Raven door bottom seals to prevent rain, draughts, noise and smoke infiltration.

Location: Door sill.

Finish: Satin clear (silver) or bronze anodised aluminium (25µm).

Fixing: Screw fix. Colour matched zinc plated, cross recess head CSK S.T. screws supplied.

Sizes: Available in stock lengths.

Approvals

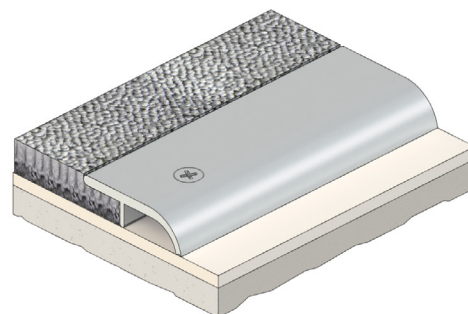
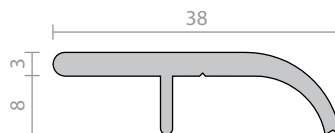
Access & Mobility NZ: NZ BC Compliance Doc. D1/AS1 1.3.2.
UK/EU: Approved Document M.

Fire AUS/NZ: NCC Spec. C3.4. AS1530.4 & AS/NZS 1905.1. NZ BC Compliance Doc. C/AS1 6.19.2(a) & App. C6.1.1.

UK/EU: Approved Document B. BS 476 Pt. 20 & 22 (similar to BS EN 1634-1).

FRL & FRR-/240/30.

BAL \leq FZ when used with a BAL rated door bottom seal in accordance with AS 3959.



RP28, RP29



RP28 and RP29 are wide, heavy duty threshold plates with ribbed profiles and integral sill gaskets. They are ideal for use with pivot hinge doors.

Can be used in conjunction with Raven door bottom seals to prevent rain, draughts, noise and smoke infiltration.

Location: Door sill.

Finish: Satin clear (silver) or bronze anodised aluminium (25µm).

Fixing: Screw fix. Colour matched zinc plated, cross recess head CSK S.T. screws supplied.

Seal: RP404a. Grey flexible PVC.

Sizes: Available in stock lengths.

Approvals

Access & Mobility NZ: NZ BC Compliance Doc. D1/AS1 1.3.2.
UK/EU: Approved Document M.

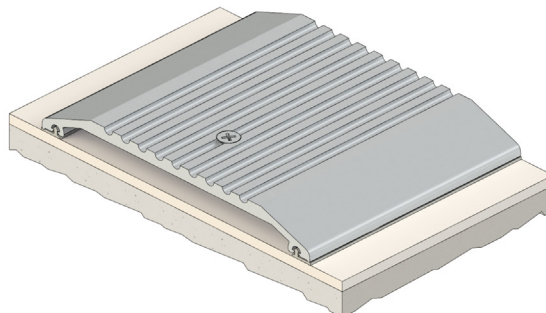
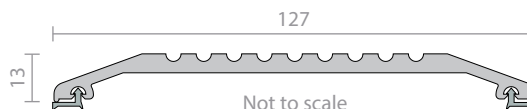
Fire AUS/NZ: NCC Spec. C3.4. AS1530.4 & AS/NZS 1905.1. NZ BC Compliance Doc. C/AS1 6.19.2(a) & App. C6.1.1.

UK/EU: Approved Document B. BS 476 Pt. 20 & 22 (similar to BS EN 1634-1).

FRL & FRR-/240/30 and FD120.

BAL \leq FZ when used with a BAL rated door bottom seal in accordance with AS 3959.

RP28



RP29

