

RP56



A PVC finned sweep seal designed to fit into a groove around the perimeter of a timber door or frame to reduce noise and air movement. This unobtrusive seal is discrete in appearance and does not restrict the doors operation.

The RP56 can be used in conjunction with Raven automatic door bottom seals and brush strip seals.

Note: Check latching requirements.

Location: Perimeter of internal timber doors or frame.

Min/Max Gap: 2mm to 4mm.

Fixing: Adhesive fix into a 10mm x 4mm groove.

Seal: RP469. Black flexible PVC. Bronze rigid PVC holder.

Sizes: Available in stock lengths.

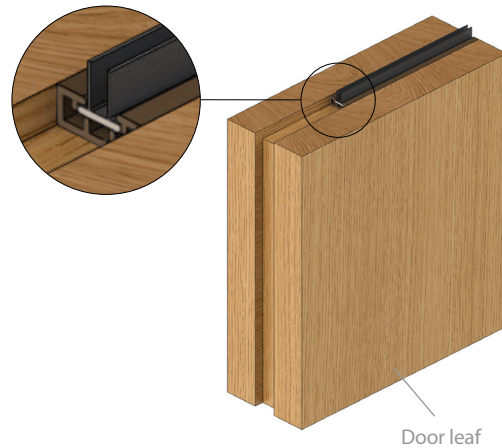
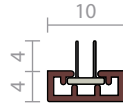
Approvals

Fire AUS/NZ: NCC Spec. C3.4. AS1530.4 & AS/NZS 1905.1. NZ BC Compliance Doc. C/AS1 6.19.2(a) & App. C6.1.1.

UK/EU: Approved Document B. Tests above are similar to BS EN 1634-1 & BS 476 Pt. 20 & 22.

FRL & FRR-/60/30 and FD60. on door bottom only.

Energy NCC Pt. 3.12.3.3 & J3.4.



Door leaf

RP69



A woven pile sweep seal designed to fit into a groove around the perimeter of a timber door or frame to reduce air movement. This unobtrusive seal is discrete in appearance and does not restrict the doors operation.

The RP69 can be used in conjunction with Raven automatic door bottom seals and brush strip seals.

Note: Check latching requirements.

Location: Perimeter of internal timber doors or frame.

Min/Max Gap: 3mm to 4mm.

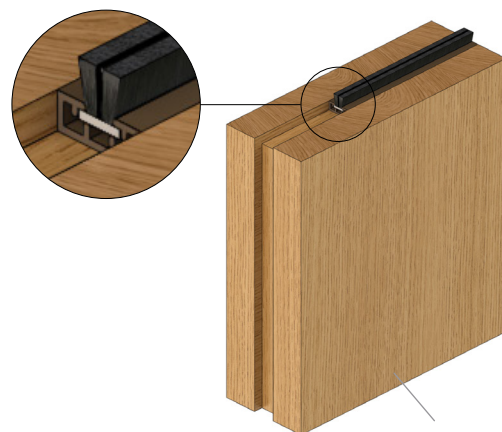
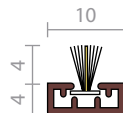
Fixing: Adhesive fix into a 10mm x 4mm groove.

Seal: Bronze rigid PVC holder with black woven polypropylene pile weather strip.

Sizes: Available in stock lengths.

Approvals

Energy NCC Pt. 3.12.3.3 & J3.4.



Door leaf