

Brush Strip Seals

Nylon Filament

RP57, RP58



Nylon brush strip seals with aluminium carriers that are ideal where larger gaps are encountered. They can be fitted to lintels of roll-up doors to help prevent the ingress of birds and wind blown embers in bushfire prone areas.

Note: Roll-up doors must have a fairly consistent gap when the door operates to avoid excessive flexing of the seal.

Location: Bottom of single, double, revolving or sliding doors and double acting pivot doors. Lintels of roll-up garage doors.

Min/Max Gap:

RP57 30mm to 50mm (user determined).

RP58 50mm to 75mm (user determined).

Finish: Satin clear (silver), bronze anodised aluminium (15µm) or paint at extra cost (page 7).

Fixing: Self adhesive or can be screw fixed. *Note: Contact surface must be clean, smooth and if painted, well cured.*

Seal: Black fine, dense, UV stabilised nylon filaments.

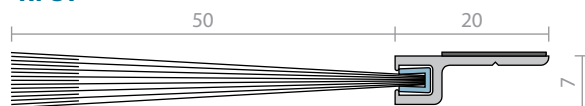
Sizes: Available in stock lengths.

Approvals

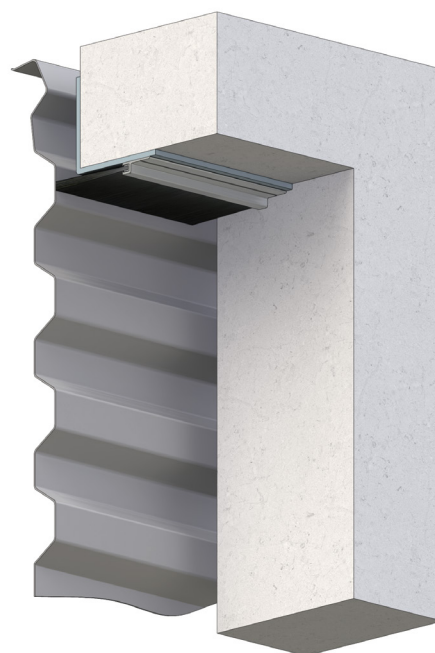
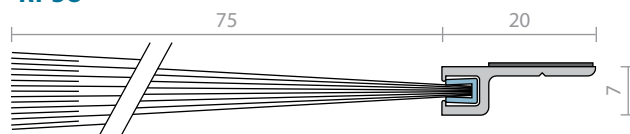
Energy NCC Pt. 3.12.3.3 & J3.4.

BAL sFZ when used on a garage in accordance with AS 3959.

RP57



RP58



RP74



A nylon brush strip seal with a self adhesive aluminium holder. Mounted to the inside or outside door head and bottom face, RP74 provides a very neat sealing solution with the advantage of final on site installation which overcomes unforeseen floor or sill variation.

Used in conjunction with Raven threshold plates

Location: Frames or bottoms of single, double, sliding and double acting doors.

Min/Max Gap: Up to 13mm (user determined).

Finish: Satin clear (silver), bronze anodised aluminium (15µm) or paint at extra cost (page 7).

Fixing: Self adhesive or can be screw fixed. *Note: Contact surface must be clean, smooth and if painted, well cured.*

Seal: Black fine, dense, UV stabilised nylon filaments.

Sizes: Available in stock lengths.

Approvals

Fire
FRL & FRR-/120/30 and FD120.

Energy NCC Pt. 3.12.3.3 & J3.4.

BAL sFZ when used on a garage in accordance with AS 3959.

