

Door Stays



We take the worry out of
protecting what's valuable to you.
Lockwood: *no worries*[®]

LOCKWOOD

ASSA ABLOY

25YEAR

**MECHANICAL
WARRANTY**

www.lockweb.com.au

Contents



8001 Concealed Door Stay

Door Closers
page 3



8001S/8001P Surface Mounted Door Stay

Door Closers
page 5

8001C Concealed Door Stay



Description

The Lockwood Concealed Door Stay is the ideal choice where an uncluttered look or the clean lines of the door are required to be seen. Lockwood 8001C Door Stays are ideally suited for medium to light duty applications where the expense of a hydraulic door closer cannot be justified.

Major Features

- New and improved smooth action roller mechanism
- Noiseless friction hold-open
- Non-handed
- Mechanism tested to 500,000 cycles
- Stainless steel and anodized aluminium finishes
- Suitable for both 90° and 180° openings
- Suitable for patio, partitioning, cupboards, switch room, FHR type doors
- Suitable for door widths from 400mm to 850mm
- Suitable for door thicknesses from 32mm

Product Details

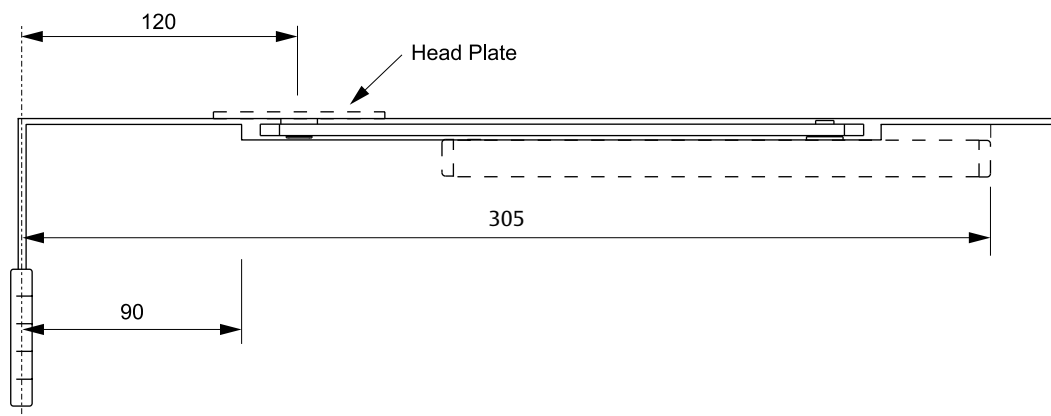
Finishes

Satin Stainless Steel (SSS)
Other finishes available on application

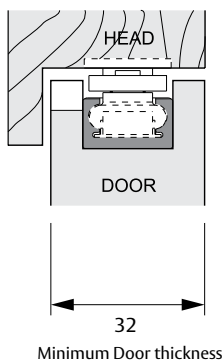
8001C Concealed Door Stay

Limiting Dimensions

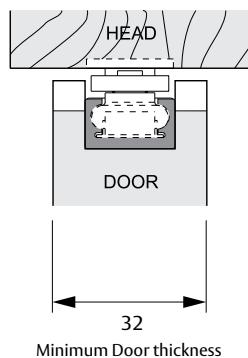
Dimensions in millimetres.



Single Action Opening Door



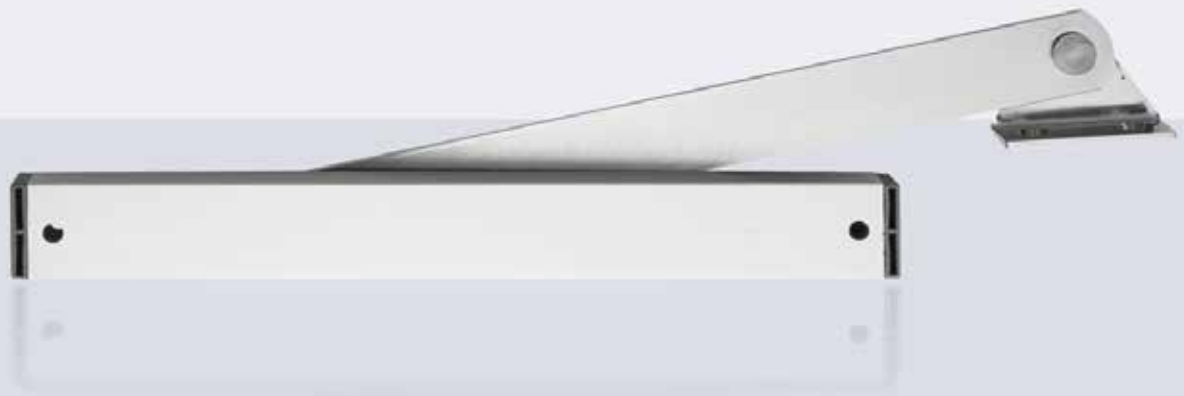
Double Action Opening Door



8001C Concealed Door Stay

Part Number 8001CSSS

8001S/8001P Surface Mounted Door Stay



Description

The Lockwood Surface Mounted Door Stay provides effective door control for medium to light duty doors. These products mount to the surface of the frame and require a minimum amount of door and frame preparation. Lockwood 8001 Door Stays are ideally suited for medium to light duty applications where the expense of a hydraulic door closer cannot be justified.

Major Features

- New and improved smooth action roller mechanism
- Noiseless friction hold-open
- Non-handed
- Mechanism tested to 500,000 cycles
- Stainless steel and anodized aluminium finishes
- Suitable for door leaves that are required to open or hold-open at 90°
- Suitable for patio, partitioning, cupboards switch room, FHR type doors
- Suitable for door widths from 400mm to 850mm
- Suitable for most door thicknesses

Product Details

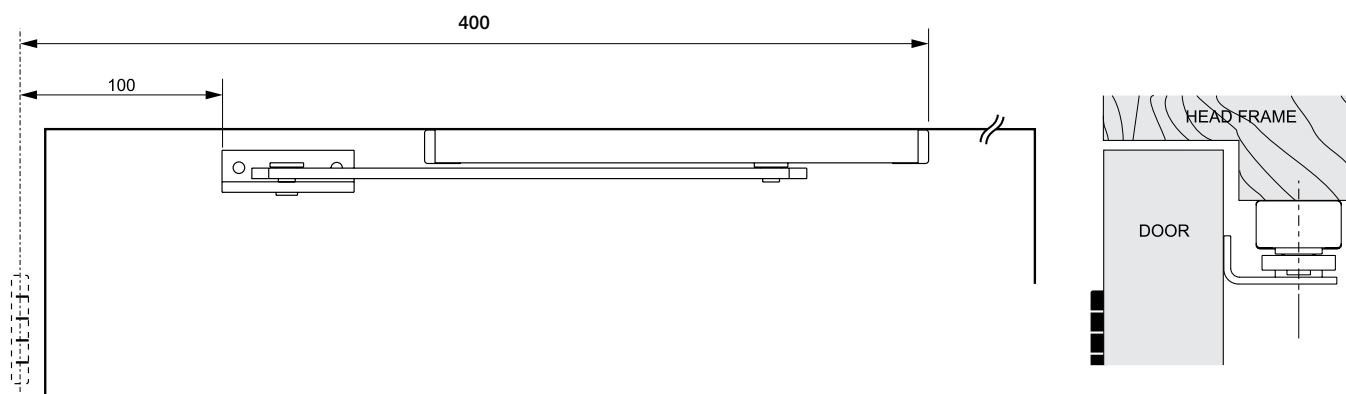
Finishes

Satin Stainless Steel (SSS)
Other finishes available on application

8001S/8001P Surface Mounted Door Stay

Limiting Dimensions

Dimensions in millimetres.



8001S/8001P Surface Mounted Door Stay

Part Number	Description
8001SSSS	Door Stay Push Side
8001PSSS	Door Stay Pull Side



ASSA ABLOY

Lockwood is the leading brand in the Australian locking industry. With an established reputation for high quality products, this iconic brand provides a wide range of locking solutions to residential housing, commercial building and industrial application markets. Lockwood is supported by an extensive distribution and after-sales support network. Our customers include retailers, architects, trade and industrial personnel, locksmiths and security dealers.

ASSA ABLOY is the global leader in door opening solutions, dedicated to satisfying end-user needs for security, safety and convenience.

ASSA ABLOY is represented in all major regions, in both mature and emerging markets, with leading positions in Australia, Europe and North America.

25YEAR

**MECHANICAL
WARRANTY**

The Lockwood 25 Year Mechanical Warranty

Our belief that we manufacture the finest premium products available in today's market place is backed by the Lockwood 25 Year Mechanical Warranty, ensuring that Lockwood continues to keep Australians safe by delivering security and peace of mind.

For warranty terms and conditions, please visit www.lockweb.com.au or call **1300WARRANTY**

ASSA ABLOY Australia Pty Ltd
235 Huntingdale Road
Oakleigh, Victoria, 3166
Australia

1300 LOCK UP (1300 562 587)
lockweb.com.au

ASSA ABLOY New Zealand Ltd
6 Armstrong Road
Albany, Auckland, 0632
New Zealand

info.nz@assaabloy.com
Telephone +64 9415 7111
assaabloy.co.nz

