

Venetian Vision Panel – Installation, Care & Warranty information



CODE	DESCRIPTION
VPVS4040CA	Silver Venetian 400 x 400
VPVS6030CA	Silver Venetian 600 x 300
VPVS6060CA	Silver Venetian 600 x 600
VPVS9030CA	Silver Venetian 900 x 300
VPVS9060CA	Silver Venetian 900 x 600
VPVW4040WH	White Venetian 400 x 400
VPVW6030WH	White Venetian 600 x 300
VPVW6060WH	White Venetian 600 x 600
VPVW9030WH	White Venetian 900 x 300
VPVW9060WH	White Venetian 900 x 600
VPBW4040WH	White Blockout 400 x 400
VPBW6030WH	White Blockout 600 x 300
VPBW6060WH	White Blockout 600 x 600
VPBW9030WH	White Blockout 900 x 300
VPBW9060WH	White Blockout 900 x 600

Glazed in accordance to Australian Standards with 6.38 Laminate - AS1288-2006

- Suitable for 32-45mm door thickness
- Ensure Vision Panel fitting is in the recommended hole cut out size with all clips correctly inserted, recommended with adhesive sealant for additional hold strength
- Ensure the Vision Panel is not subject to a corrosive environment, high impact or contact with anything which could affect the normal operation of the viewing panel.

Warranty of Controllaview™ Vision Panels™

Controllaview™ warrants all Vision Panel units delivered to the original consumer or its authorized dealer for a one (1) year period from the date of manufacture.

This warranty does not include cracked or broken glass or damage to the product resulting from accident, abusive handling or misuse.

Should there be such a failure of the unit within the limited warranty period, Controllaview™, shall provide a suitable replacement at their discretion.

This warranty is subject to INTERWEST GLASS™ Terms & conditions of trade. The warranty covers a replacement of the unit but does not include freight or Installation.

The warranty is conditional upon the Vision Panel being installed according to the provided instructions.

17 Astill Drive Orange NSW 2800 Australia

T: 02 6361 9005 F: 02 6361 9008 E: sales@controllaview.com.au

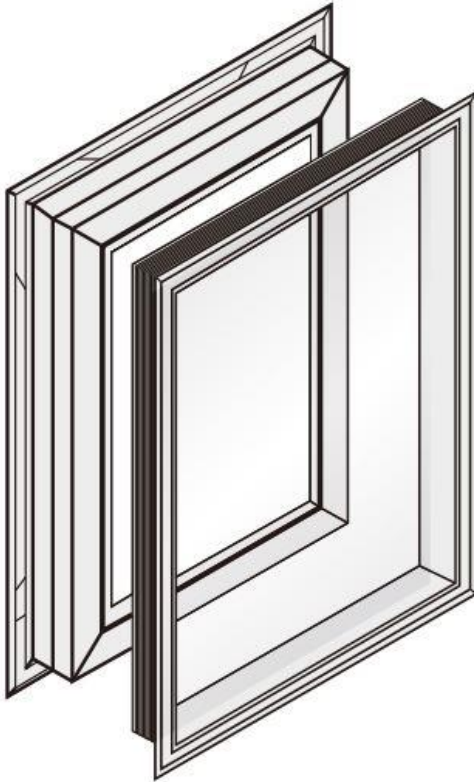
www.controllaview.com.au

INSTALLATION INSTRUCTIONS

WARNING: Failure to follow installation instructions may result in damage to the unit and will void your warranty. To ensure safety and correct installation please follow the guide provided below



**SUITS DOOR
THICKNESS 32-45mm**



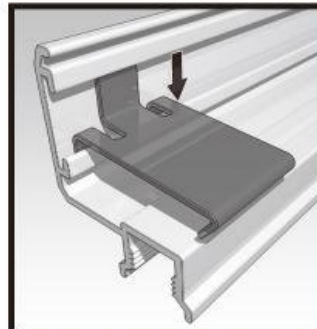
STEP ONE

Insert main centre leg into upper channel.



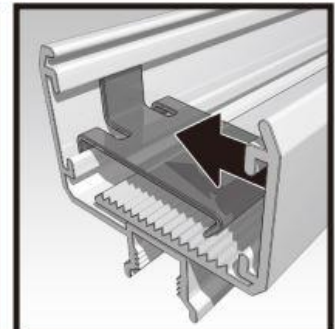
STEP TWO

Insert one small leg down into lower channel.



STEP THREE

Lift and insert second small leg down into lower channel.



STEP FOUR

Place front frame into opening and press back frame into position from opposite side of the door.

Note: To assist with shock absorption it is recommended adhesive sealant be applied between vision panel and door surface on installation.



T: +61 2 6361 9005

E: sales@controllaview.com.au

17 Astill Drive, Orange,
NSW 2800, Australia