

Length:

Description of contents

- Aluminium carrier (1)
- Pre-slotted holes (2)
- Silicone gaskets (3)
- Bag of screws
- Fitting instructions

Tools required for installation

- Tape measure
- Saw (power or hand)
- Screw driver
- Drill (power or hand)
- Knife
- Pencil or Marker
- Router

Other Integrity™ Architectural Seals include:

- Door Perimeter Seals
- Door Bottom Seals
- Automatic Door Bottom Seals
- Threshold Plates
- Brush Seals
- Magnetic Seals

Contact your nearest Kilargo office for further details.

Installation detail: Door bottom or meeting stile seal

-
- Step 1** If installed, remove door from its hinges, lay door on its edge and firmly restrain.
-
- Step 2** Measure and mark out the seal position along the centre line of the door stile / bottom. (Note that the finished groove should be 20mm wide).
-
- Step 3** Fit a suitable cutter into the router, set guide and machine a 5mm deep groove along the edge / bottom of the door.
-
- Step 4** Clean dust and chips from the groove and check depth by applying seal.
-
- Step 5** Measure the door height / width and cut the seal to suit, using a sharp knife for the silicone gasket and a saw for the aluminium section.
-
- Step 6** Ends of the aluminium channel may be centre punched to prevent gasket movement.
-
- Step 7** Rehang door (door bottom only).
-

We recommend the IS3017 be used together with a Kilargo Integrity™ 4000 series threshold plate.

Important

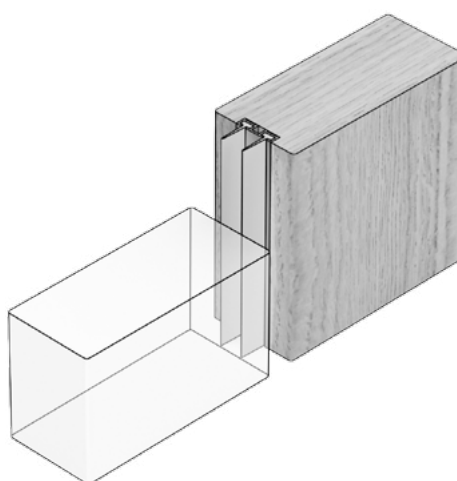
Ensure that the installation of this product does not impede the opening or closing of the door. It is recommended to check the door seal periodically to ensure the door assembly to which it is fitted, closes and latches properly.

Note

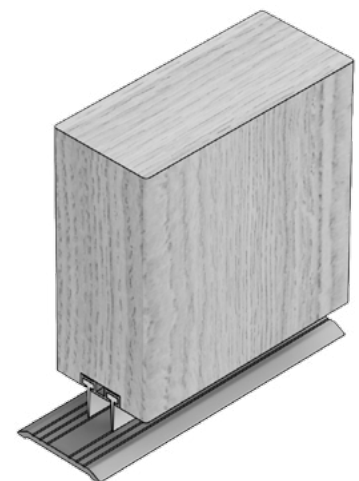
Recommendations as to methods for use of materials and construction details are based on the experience and knowledge of Kilargo and are given in good faith as a general guide and service to designers, contractors and manufacturers. Kilargo reserves the right to make alterations or delete any installation detail without prior notice.

Please observe the recommended minimum gap tolerances:

Recess Fitted 9mm min 11mm max



Meeting Stile installation detail



Door Bottom installation detail