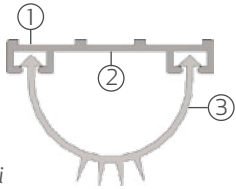


□ IS3020si



□ IS3021si

Length:

Description of contents

- Aluminium carrier (1)
- Pre-slotted holes (2)
- Silicone "Push-fit" gasket (3)
- Bag of screws
- Fitting instructions

Tools required for installation

- Tape measure
- Saw (power or hand)
- Screw driver
- Drill (power or hand)
- Knife
- Pencil or Marker

Other Integrity™ Architectural Seals include:

- Door Perimeter Seals
- Door Bottom Seals
- Automatic Door Bottom Seals
- Threshold Plates
- Brush Seals
- Magnetic Seals

Contact your nearest Kilargo office for further details.

Installation detail: Door bottom or meeting stile

- Step 1** (Door bottom only) If installed, remove door from its hinges, lay the door on its edge and firmly restrain.
- Step 2** Measure door height/width and cut the seal to suit, using a sharp knife for the silicone gasket and a saw (power or hand) for the aluminium section.
- Step 3** Seal is supplied with one side of the silicone gasket detached from the carrier. Screw fix the aluminium section onto the door stile / door using the screws supplied (fixing holes are pre-slotted.)
- Step 4** Push fit the silicone gasket into the carrier to form a "U" shape section.
Note: The silicone gasket simply presses back into the profile.
- Step 5** Ends of the aluminium channel can be centre punched to prevent gasket moving in the carrier.
- Step 6** (Door bottom only) Re-hang the door.

We recommend the IS3020si or IS3021si be used together with a Kilargo Integrity™ 4000 series threshold plate.

Important

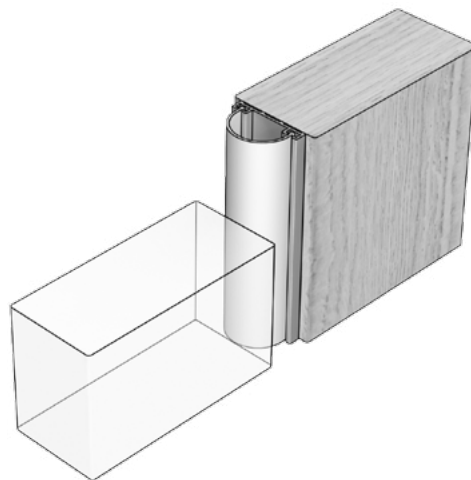
Ensure that the installation of this product does not impede the opening or closing of the door. It is recommended to check the door seal periodically to ensure the door assembly to which it is fitted, closes and latches properly.

Note

Recommendations as to methods for use of materials and construction details are based on the experience and knowledge of Kilargo and are given in good faith as a general guide and service to designers, contractors and manufacturers. Kilargo reserves the right to make alterations or delete any installation detail without prior notice.

Please observe the recommended minimum gap tolerances:

IS3020si	Surface mounted	15mm min	19mm max
IS3021si	Surface mounted	20mm min	24mm max



Meeting Stile installation detail



Door Bottom installation detail