

Brio SR60-20-1 2000mm Complete Track Set

[Click here to view on website](#)

SKU

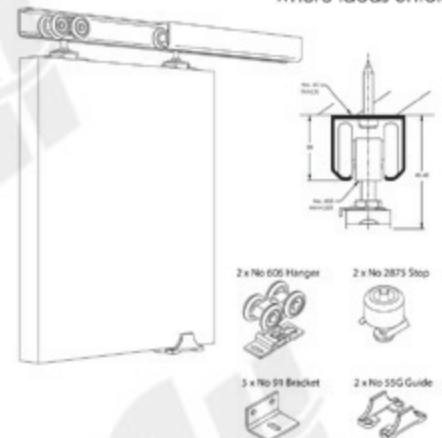
BRIO-H3

DESCRIPTION

Brio SR60-20/1 2000mm Complete Track Set

- Suits single panel residential & light commercial doors
- Suits panel size - 610mm - 915mm
- Minimum door thickness - 19mm
- Maximum door weight - 60kgs
- Channel length - 2000mm
- Requires 5 brackets
- Set includes top track, bracket, hangars, door stop, guide, spanner & timber screws

Brio
where ideas unfold



SPECIFICATION

Material	Aluminium
Warranty	10 Years

CATEGORIES

Bathroom Hardware & Fittings / Shower Curtains & Fittings

Contact

Customer Service: 1800 555 600
Locksmith Services: 1800 555 700
Email: online@accesshardware.com.au
Website: www.accesshardware.com.au

Disclaimer

The specifications on our website are often provided to us by our manufacturers, provided as guidance only. While Access ensures it deals with reputable manufacturers, it cannot verify the accuracy of every claim made by them about their products as manufacturers often reserve the right to make changes without notice. To the extent permitted by law, We are not liable in respect of any claims made on this website in respect of any specification or claim by a manufacturer for its product.