

## Brio SR60-30-1 3000mm Complete Track Set

[Click here to view on website](#)

### SKU

BRIO-H4

### DESCRIPTION

#### Brio SR60-30/1 3000mm Complete Track Set

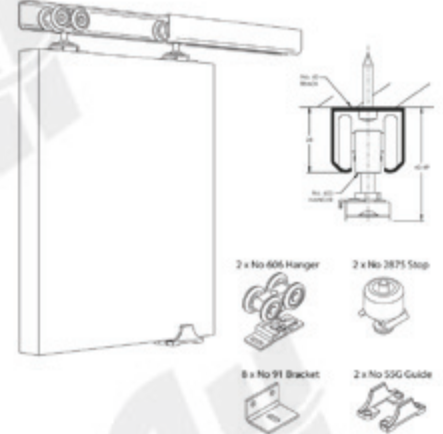
- Suits single panel residential & light commercial doors
- Suits panel size - 915mm - 1525mm
- Minimum door thickness - 19mm
- Maximum door weight - 60kgs
- Channel length - 3000mm
- Set includes top track, brackets, hangars, door stop, guide, spanner & timber screws

### SPECIFICATION

### CATEGORIES

Locks & Latches / Sliding Door Locks / Fittings

**Brio**  
where ideas unfold



## Contact

**Customer Service:** 1800 555 600

**Locksmith Services:** 1800 555 700

**Email:** [online@accesshardware.com.au](mailto:online@accesshardware.com.au)

**Website:** [www.accesshardware.com.au](http://www.accesshardware.com.au)

## Disclaimer

*The specifications on our website are often provided to us by our manufacturers, provided as guidance only. While Access ensures it deals with reputable manufacturers, it cannot verify the accuracy of every claim made by them about their products as manufacturers often reserve the right to make changes without notice. To the extent permitted by law, We are not liable in respect of any claims made on this website in respect of any specification or claim by a manufacturer for its product.*