

Brio ZC80-1PK Zero Clearance 80kg

[Click here to view on website](#)

SKU

BRIO-ZC80-1PK

DESCRIPTION

Brio ZC80-1PK Zero Clearance 80kg

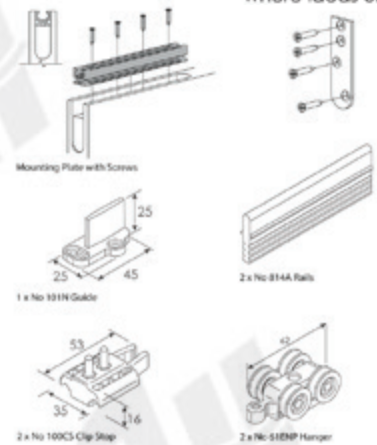
- All hangars, stops & fittings for 80kg rated panel kits
- Does not include track

SPECIFICATION

CATEGORIES

Locks & Latches / Sliding Door Locks / Fittings

Brio
where ideas unfold



Contact

Customer Service: 1800 555 600

Locksmith Services: 1800 555 700

Email: online@accesshardware.com.au

Website: www.accesshardware.com.au

Disclaimer

The specifications on our website are often provided to us by our manufacturers, provided as guidance only. While Access ensures it deals with reputable manufacturers, it cannot verify the accuracy of every claim made by them about their products as manufacturers often reserve the right to make changes without notice. To the extent permitted by law, We are not liable in respect of any claims made on this website in respect of any specification or claim by a manufacturer for its product.