

Kilargo - Fire Door Upgrade Seal FDBU60-45

[Click here to view on website](#)



SKU	Length
LO-FDBU60-45-820CA	820mm
LO-FDBU60-45-920CA	920mm
LO-FDBU60-45-1220CA	1220mm

DESCRIPTION

Retrofit intumescent fire door bottom upgrade seals.

Used to upgrade existing fire doors where door bottom gaps exceed the allowable 10mm as per AS1905/1.

- Can provide up to 2 hours fire resistance when fitted to the bottom of proprietary fire doors.
- Non compliant fire doors can be salvaged.
- Avoids expensive door build-ups or door replacements.
- Cost-effective solution.
- Easy retro-fit installation.
- No need to remove the door during installation.

These products consist of an anodised aluminium profile, flame retardant smoke, draught and light excluding silicone gasket and integral high performance intumescent fire seals.

FDBU60-35 Can seal gaps up to 60mm maximum under nom. 35mm proprietary fire doors.

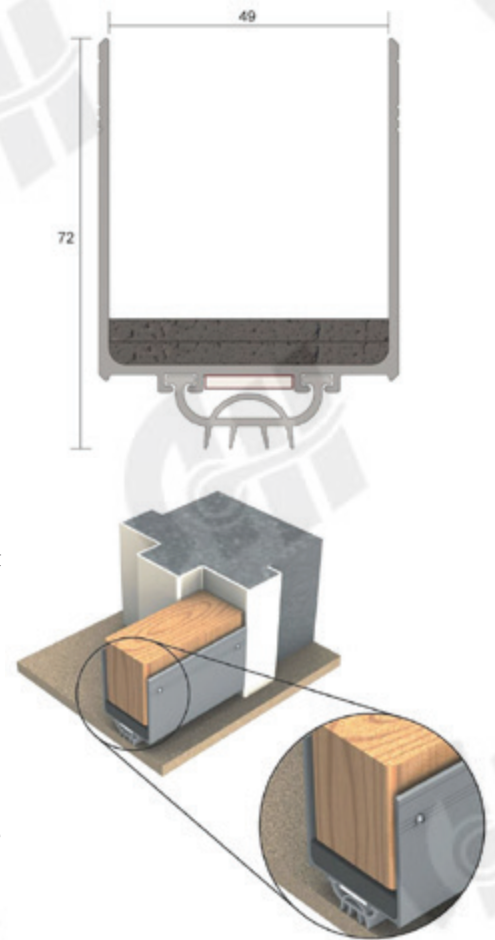
FDBU60-45 Can seal gaps up to 60mm maximum under nom. 45mm proprietary fire doors.

Standard lengths: 820mm, 920mm, 1220mm

Clear Anodised (Silver) with grey gaskets

The FDBU60 is supplied with pre-drilled slotted holes and screws for easy application onto the bottom of door leaves. (Aluminium screw-fixed end plates are also available separately).

- Fully tested to AS1530 Part 4 for up to 2 hours on proprietary fire door assemblies in accordance with AS1905 Part 1
- Conforms with NCC Specification C3.4 smoke sealing requirements
- NB: Check with your door manufacturer for approvals.



SPECIFICATION

CATEGORIES

Door Seals / Fire Door Upgrade Bottom Seals

Contact

Customer Service: 1800 555 600

Locksmith Services: 1800 555 700

Email: online@accesshardware.com.au

Website: www.accesshardware.com.au

Disclaimer

The specifications on our website are often provided to us by our manufacturers, provided as guidance only. While Access ensures it deals with reputable manufacturers, it cannot verify the accuracy of every claim made by them about their products as manufacturers often reserve the right to make changes without notice. To the extent permitted by law, We are not liable in respect of any claims made on this website in respect of any specification or claim by a manufacturer for its product.