

Kilargo IS7060si Meeting Style - Astragal Seal

[Click here to view on website](#)



SKU	Length
LO-IS7060SI-2250CA	2250mm
LO-IS7060SI-3000CA	3000mm
LO-IS7060SI-2500CA	2500mm

DESCRIPTION

An astragal seal used with either plain or rebated meeting stiles on single swing, double doors (where only one door leaf is active). It provides an excellent acoustic, smoke, light, dust and weather seal. The thin fixing leg allows this seal to be face fixed to the door (no rebating required). This leg can also be checked to make way for locks and latches.

Gap Size

- Min. 2.5mm / Max. 10mm

Standard Lengths

- 2250mm
- 2500mm
- 3000mm
- Also available in: 250mm increments from 2000mm to 3500mm (Special Order Only)

Standard Finishes

- Silver anodised aluminium with grey silicone gasket
- (black anodised aluminium with black silicone gasket to special order)

Fixing

- A door sequence selector should be considered unless one leaf is intended to be fixed

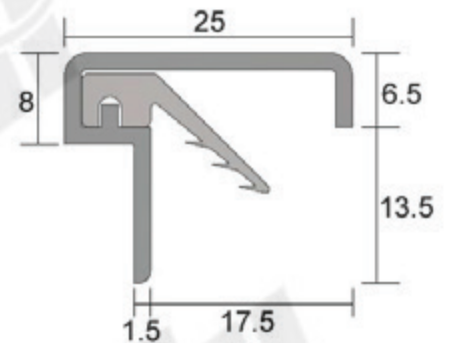
Approvals

- Medium temperature smoke leakage approvals to AS1530 Part 7 available on proprietary door assemblies.
- Conforms with NCC Specification C3.4 smoke sealing requirements.
- Acoustically tested in accordance with AS1191, ISO140.3 and ISO10140-2.

SPECIFICATION

Finish	Silver
Includes Fixing Screws	Yes
Fire tested, check with manufacturer for further details.	NA
Max Door Gap	10mm
Suitable for Smoke Doors	Medium temperature smoke leakage tests to AS1530 Part 7 available on proprietary door assemblies. Conforms with NCC Specification C3.4 smoke sealing requirements.
Acoustic Rating to AS1191 and ISO140.3	Acoustically tested in accordance with AS1191, ISO140.3 & ISO10140-2
Colour	Silver anodised aluminium with grey PVC cover
Min Door Gap	2.5mm
Material	Aluminium & Silicone
Warranty	2 years from date of sale

CATEGORIES



Contact

Customer Service: 1800 555 600
Locksmith Services: 1800 555 700
Email: online@accesshardware.com.au
Website: www.accesshardware.com.au

Disclaimer

The specifications on our website are often provided to us by our manufacturers, provided as guidance only. While Access ensures it deals with reputable manufacturers, it cannot verify the accuracy of every claim made by them about their products as manufacturers often reserve the right to make changes without notice. To the extent permitted by law, We are not liable in respect of any claims made on this website in respect of any specification or claim by a manufacturer for its product.

Door Seals / Perimeter Seals

Door Seals / Meeting Style (Astragal) Seals

Contact

Customer Service: 1800 555 600

Locksmith Services: 1800 555 700

Email: online@accesshardware.com.au

Website: www.accesshardware.com.au

Disclaimer

The specifications on our website are often provided to us by our manufacturers, provided as guidance only. While Access ensures it deals with reputable manufacturers, it cannot verify the accuracy of every claim made by them about their products as manufacturers often reserve the right to make changes without notice. To the extent permitted by law, We are not liable in respect of any claims made on this website in respect of any specification or claim by a manufacturer for its product.