

Kilargo IS8036si Automatic Door Bottom Seal

[Click here to view on website](#)



SKU	Length
LO-IS8036SI-380CA	380mm (Cuts back to 275mm)
LO-IS8036SI-600CA	600mm (cuts back to 380mm)
LO-IS8036SI-820CA	820mm (Cuts back to 600mm)
LO-IS8036SI-920CA	920mm (Cuts back to 820mm)
LO-IS8036SI-1220CA	1220mm (Cuts back to 920mm)

DESCRIPTION

Medium duty, automatic door bottom seals which can be semi-rebated (IS8035si) or face-fixed (IS8035si or IS8036si) to the bottom edge of single action doors. The seals have a spring loaded mechanism which lifts the seal clear of the floor as soon as the door is opened. Pressure against the door jamb on the adjustable strike button operates the seal automatically.

IS8036si: This seal is face-fixed to the bottom edge of single action doors. It has an architectural "curved" cover plate to conceal fixing points and provide an aesthetic finish. Both seals have brass adjustment buttons and injection moulded, push-fit nylon end plates plus a high efficiency mechanism to assist with the closing force requirements detailed in AS1428/1 (Design for Access and Mobility).

Gap Size

- Min. 3mm / Max. 10mm

Standard Lengths with Maximum Cut-back sizes

- 380mm seal cuts to 275mm
- 600mm seal cuts to 380mm
- 820mm seal cuts to 600mm
- 920mm seal cuts to 820mm
- 1070mm seal cuts to 920mm
- 1220mm seal cuts to 1070mm
- (*Seals can be cut on site for exact dimension)

Standard Colours

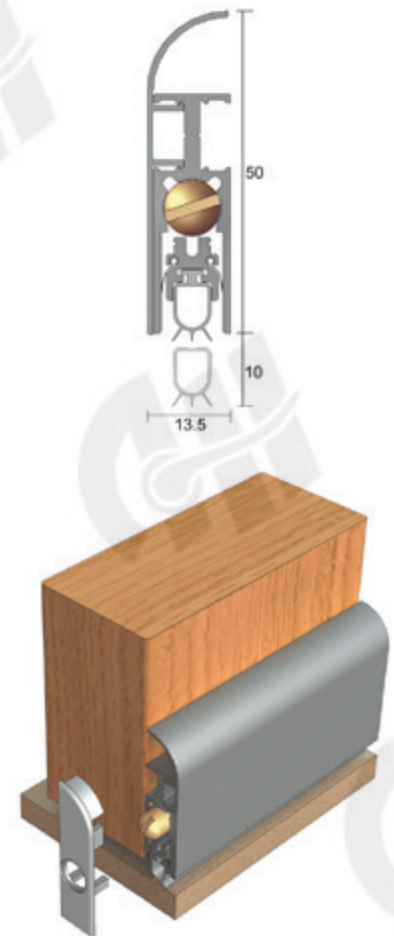
- Silver anodised aluminium with grey end plates and grey silicone gasket

Approvals

- Face-fixed version fire tested to AS1530 Part 4
- Conforms to BCA Specification C3.4 for smoke doors
- Acoustic ratings to AS1191 and ISO140.3
- Durability tests demonstrating over 1,000,000 open and close cycles

SPECIFICATION

Includes Fixing Screws	Yes
Finish	Silver anodised aluminium with grey nylon end plates, grey silicone gaskets
Min Door Gap	3mm
Max Door Gap	10mm
Suitable for Smoke Doors	Medium temperature smoke leakage tests to AS1530 Part 7 available on proprietary door assemblies. Conforms with NCC Specification C3.4 smoke sealing requirements.



Contact

Customer Service: 1800 555 600
Locksmith Services: 1800 555 700
Email: online@accesshardware.com.au
Website: www.accesshardware.com.au

Disclaimer

The specifications on our website are often provided to us by our manufacturers, provided as guidance only. While Access ensures it deals with reputable manufacturers, it cannot verify the accuracy of every claim made by them about their products as manufacturers often reserve the right to make changes without notice. To the extent permitted by law, We are not liable in respect of any claims made on this website in respect of any specification or claim by a manufacturer for its product.

Fire tested, check with manufacturer for further details.	Fire tested to AS1530 Part 4 in accordance with AS1905 Part 1
Accoustic Rating to AS1191 and ISO140.3	Acoustically tested in accordance with AS1191, ISO140.3 & ISO10140-2
Rebated	Face fixed to the bottom edge of of single action doors
Material	Aluminium & Silcone
Warranty	2 years from date of sale

CATEGORIES

Door Seals / Door Bottom Seals / Automatic Door Bottom Seals

Contact

Customer Service: 1800 555 600
Locksmith Services: 1800 555 700
Email: online@accesshardware.com.au
Website: www.accesshardware.com.au

Disclaimer

The specifications on our website are often provided to us by our manufacturers, provided as guidance only. While Access ensures it deals with reputable manufacturers, it cannot verify the accuracy of every claim made by them about their products as manufacturers often reserve the right to make changes without notice. To the extent permitted by law, We are not liable in respect of any claims made on this website in respect of any specification or claim by a manufacturer for its product.