

## Lockwood HP9 Phantom Door 1525mm Sliding Door Kit

[Click here to view on website](#)

### SKU

LWHP9

### DESCRIPTION

Lockwood HP9 Phantom Door 1525mm Sliding Door Kit

- Suits up to 50mm timber, timber framed or composite doors
- Ideal for room dividers
- Includes 1525mm track
- Maximum Height 2400mm
- Maximum Width 915mm
- Minimum Width 610mm
- Maximum door weight - 45kg
- Simultaneous Action Kit available to open double doors at the same time
- No guide channel required
- Self closing pulley accessory available

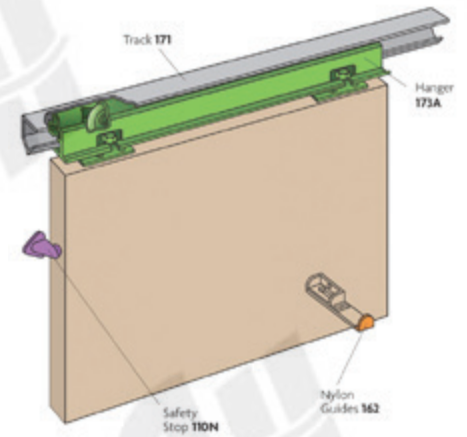
### SPECIFICATION

### CATEGORIES

Locks & Latches / Sliding Door Locks / Sliding Door Accessories



ASSA ABLOY



## Contact

**Customer Service:** 1800 555 600

**Locksmith Services:** 1800 555 700

**Email:** [online@accesshardware.com.au](mailto:online@accesshardware.com.au)

**Website:** [www.accesshardware.com.au](http://www.accesshardware.com.au)

## Disclaimer

*The specifications on our website are often provided to us by our manufacturers, provided as guidance only. While Access ensures it deals with reputable manufacturers, it cannot verify the accuracy of every claim made by them about their products as manufacturers often reserve the right to make changes without notice. To the extent permitted by law, We are not liable in respect of any claims made on this website in respect of any specification or claim by a manufacturer for its product.*