

Raven RP103 Astragal for Frameless Glass

[Click here to view on website](#)

SKU

RP103-3000

DESCRIPTION

Clear polycarbonate astragal and perimeter seals specifically designed for frameless glass doors. The woven pile sealing strip is combined with a weather fin to form an effective weather and energy seal.

Use in conjunction with Raven brush strip door bottom seals RP2b, RP74 and threshold plates.

Location: Meeting stiles of 10mm thick frameless glass doors.

Min/Max Gap: 7mm to 8mm (prior to installation).

Fixing: Self adhesive.

Note: Contact surface must be clean, smooth and if painted, well cured.

Seal: Clear high impact UV stabilised polycarbonate body with black polypropylene pile with weather fin.

Sizes: 3000mm.

Approvals

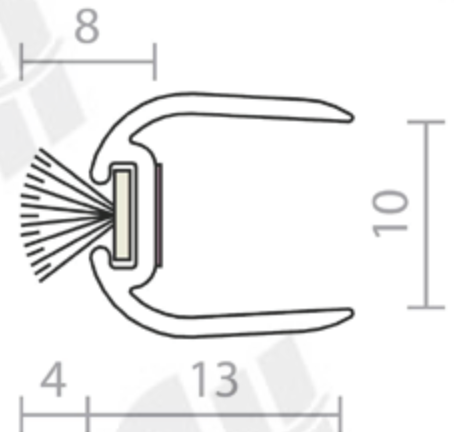
Energy NCC Pt. 3.12.3.3 & J3.4.

SPECIFICATION

Fire tested, check with manufacturer for further details.	No
Includes Fixing Screws	No
Finish	NA
Material	NA
Warranty	NA
Max Door Gap	8mm
Acoustic Rating to AS1191 and ISO140.3	No
Suitable for Smoke Doors	NA
Min Door Gap	7mm prior to installation

CATEGORIES

Door Seals / Meeting Style (Astragal) Seals



Contact

Customer Service: 1800 555 600

Locksmith Services: 1800 555 700

Email: online@accesshardware.com.au

Website: www.accesshardware.com.au

Disclaimer

The specifications on our website are often provided to us by our manufacturers, provided as guidance only. While Access ensures it deals with reputable manufacturers, it cannot verify the accuracy of every claim made by them about their products as manufacturers often reserve the right to make changes without notice. To the extent permitted by law, We are not liable in respect of any claims made on this website in respect of any specification or claim by a manufacturer for its product.