

## Raven RP4 Door Bottom Sweep Seal

[Click here to view on website](#)



SKU	Length
RP4-1000CA	1000mm
RP4-1250CA	1250mm
RP4-1500CA	1500mm
RP4-1750CA	1750mm
RP4-2000CA	2000mm
RP4-3000CA	3000mm
RP4-915CA	915mm

### DESCRIPTION

A storm proof door bottom seal and threshold plate that is ideal where maximum weather protection is required. The RP4 multi-blade seal defies rain infiltration. Can be fitted to the square cut bottom of a door without removing the door, provided there is an existing gap of 25mm. It is quick and easy to fit to both door and sill. The sealing section is slotted for adjustment. Also available as an intumescent fire and hot smoke seal. Refer to RP4FZ.

Location: Bottom of single and double butt hinged doors and sill.

Min/Max Gap: 23mm to 25mm.

Finish: Satin clear (silver), bronze or bright gold anodised aluminium (15Åµm) with anodised threshold plate (25Åµm).

Fixing: Concealed screw fix. Zinc plated, cross recess head S.T. screws and cover strip supplied.

Fixing holes are pre-slotted. Threshold plate fixing holes are pre-punched and countersunk.

Seal: RP404, RP404a and RP404b. Grey PVC.

Sizes: Available in stock lengths.

### Approvals

Access & Mobility NZ: NZ BC Compliance Doc D1/AS1 1.3.2. Fire Approved

UK/EU: Approved Document M.

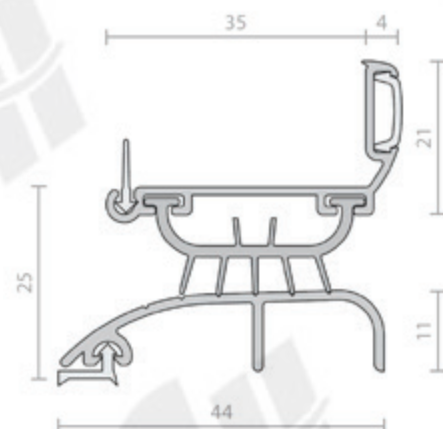
Energy NCC Pt. 3.12.3.3 & J3.4.

### SPECIFICATION

Fire tested, check with manufacturer for further details.	No
Material	Aluminium
Includes Fixing Screws	Yes
Warranty	2 Years
Finish	Various
Brush Size	NA
Accoustic Rating to AS1191 and ISO140.3	No
Suitable for Smoke Doors	NA
Min Door Gap	23mm
Max Door Gap	25mm

### CATEGORIES

Door Seals / Door Bottom Seals / Door Bottom Sweep Seals



## Contact

**Customer Service:** 1800 555 600

**Locksmith Services:** 1800 555 700

**Email:** [online@accesshardware.com.au](mailto:online@accesshardware.com.au)

**Website:** [www.accesshardware.com.au](http://www.accesshardware.com.au)

## Disclaimer

The specifications on our website are often provided to us by our manufacturers, provided as guidance only. While Access ensures it deals with reputable manufacturers, it cannot verify the accuracy of every claim made by them about their products as manufacturers often reserve the right to make changes without notice. To the extent permitted by law, We are not liable in respect of any claims made on this website in respect of any specification or claim by a manufacturer for its product.