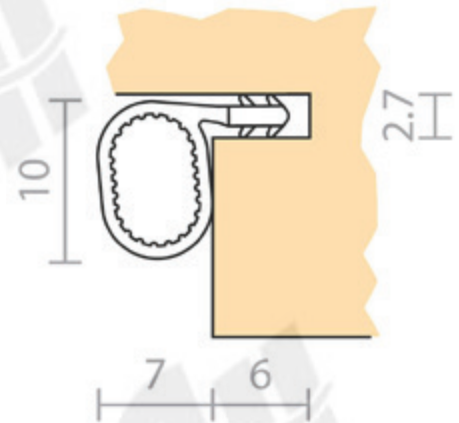


Raven RP660 TPE Weather Strip

[Click here to view on website](#)



SKU	Colour	Length
RP660BRN-100	Brown	100m
RP660B-100	Black	100m
RP660WHT-100	White	100m
RP660BRN-24	Brown	24m
RP660B-24	Black	24m
RP660WHT-24	White	24m



DESCRIPTION

A compression seal, made from co-extruded flame retardant TPE rubber.

Location: Aluminium, PVC or timber door and window frame grooves where dimensions suit.

Compression: 1mm to 3mm.

Finish: White, brown or black.

Fixing: Push in locking fit into a 2.7mm x 6mm deep kerf groove.

Sizes: 100m, 24m.

Approvals

Fire Flammability index $\alpha \approx 5$ when tested to AS1530.3.

Weather AUS/NZ: NCC various sections. AS2047, AS4055, AS4420 Pt. 0 to 5 & AS/NZS 1170.

UK/EU: Approved Document L1 & L2. Tests above are similar to BS 5368 & BS 7386.

Energy NCC Pt. 3.12.3.3 & J3.4.

SPECIFICATION

Fire tested, check with manufacturer for further details.	No
Warranty	2 Years
Self Adhesive	No
Acoustic Rating to AS1191 and ISO140.3	No
Min Door Gap	4mm
Max Door Gap	7mm
Suitable for Smoke Doors	NA
Colour	White, Brown or Black
Material	TPE

CATEGORIES

Door Seals / Extruded Silicon & PVC Seals

Contact

Customer Service: 1800 555 600

Locksmith Services: 1800 555 700

Email: online@accesshardware.com.au

Website: www.accesshardware.com.au

Disclaimer

The specifications on our website are often provided to us by our manufacturers, provided as guidance only. While Access ensures it deals with reputable manufacturers, it cannot verify the accuracy of every claim made by them about their products as manufacturers often reserve the right to make changes without notice. To the extent permitted by law, We are not liable in respect of any claims made on this website in respect of any specification or claim by a manufacturer for its product.