

## Raven RP69 Perimeter Seal

[Click here to view on website](#)



SKU	Length
RP69-2250	2250mm
RP69-2500	2500mm
RP69-3000	3000mm

### DESCRIPTION

A woven pile sweep seal designed to fit into a groove around the perimeter of a timber door or frame to reduce air movement. This unobtrusive seal is discrete in appearance and does not restrict the doors operation.

The RP69 can be used in conjunction with Raven automatic door bottom seals and brush strip seals.

Note: Check latching requirements.

Location: Perimeter of internal timber doors or frame.

Min/Max Gap: 3mm to 4mm.

Fixing: Adhesive fix into a 10mm x 4mm groove.

Seal: Bronze rigid PVC holder with black woven polypropylene pile weather strip.

Sizes: Available in stock lengths.

Approvals

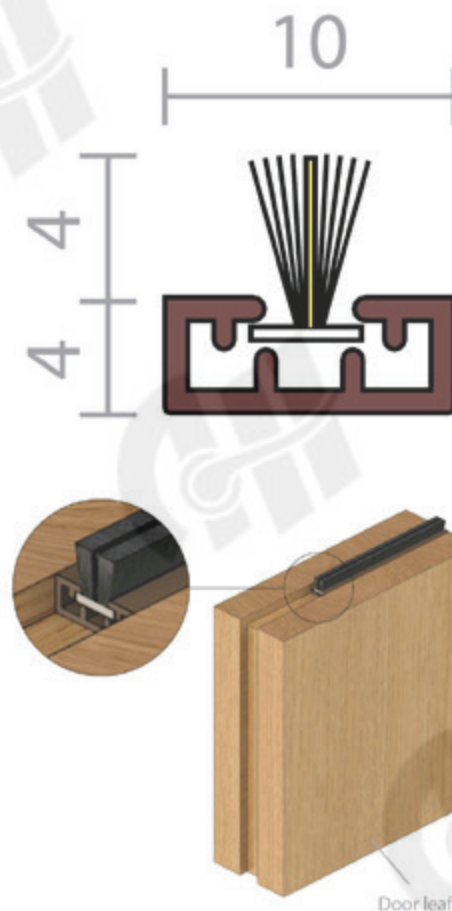
Energy NCC Pt. 3.12.3.3 & J3.4.

### SPECIFICATION

Fire tested, check with manufacturer for further details.	No
Colour	Black
Finish	Brown
Includes Fixing Screws	NA
Min Door Gap	3mm
Material	PVC
Accoustic Rating to AS1191 and ISO140.3	No
Max Door Gap	4mm
Suitable for Smoke Doors	NA
Warranty	self adhesive fixing not covered

### CATEGORIES

Door Seals / Perimeter Seals



## Contact

**Customer Service:** 1800 555 600

**Locksmith Services:** 1800 555 700

**Email:** [online@accesshardware.com.au](mailto:online@accesshardware.com.au)

**Website:** [www.accesshardware.com.au](http://www.accesshardware.com.au)

## Disclaimer

The specifications on our website are often provided to us by our manufacturers, provided as guidance only. While Access ensures it deals with reputable manufacturers, it cannot verify the accuracy of every claim made by them about their products as manufacturers often reserve the right to make changes without notice. To the extent permitted by law, We are not liable in respect of any claims made on this website in respect of any specification or claim by a manufacturer for its product.