

Raven RP79H Astragal for Frameless Glass

[Click here to view on website](#)

SKU

RP79H-3000CA

DESCRIPTION

Aluminium astragal seals designed for frameless glass doors. RP79H utilises a gasket for medium temperature smoke door applications.

Use in conjunction with Raven brush strip door bottom seals RP2b, RP74 and threshold plates.

Location: Meeting stiles of 12mm thick frameless glass doors.

Min/Max Gap: 8mm to 12mm (prior to installation).

Finish: Satin clear (silver) anodised aluminium (15Åµm).

Fixing: Self adhesive.

Note: Contact surface must be clean, smooth and if painted, well cured.

Seal: RP640. Black TPE.

Sizes: Available in stock lengths.

Approvals

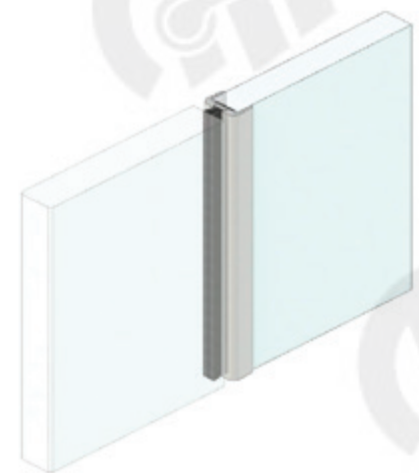
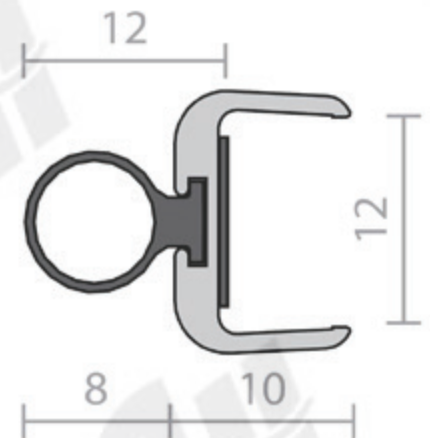
Energy NCC Pt. 3.12.3.3 & J3.4.

SPECIFICATION

Fire tested, check with manufacturer for further details.	No
Includes Fixing Screws	No
Finish	NA
Material	NA
Warranty	NA
Min Door Gap	8mm
Accoustic Rating to AS1191 and ISO140.3	No
Suitable for Smoke Doors	NA
Max Door Gap	9mm prior to installation

CATEGORIES

Door Seals / Meeting Style (Astragal) Seals



Contact

Customer Service: 1800 555 600

Locksmith Services: 1800 555 700

Email: online@accesshardware.com.au

Website: www.accesshardware.com.au

Disclaimer

The specifications on our website are often provided to us by our manufacturers, provided as guidance only. While Access ensures it deals with reputable manufacturers, it cannot verify the accuracy of every claim made by them about their products as manufacturers often reserve the right to make changes without notice. To the extent permitted by law, We are not liable in respect of any claims made on this website in respect of any specification or claim by a manufacturer for its product.