

Sabre Entrance Handle Fixing Kit 30mm SSS

[Click here to view on website](#)

SKU

SAB-EHSP-32-30-SSS

DESCRIPTION

Sabre Entrance Handle Fixing Kit 30mm Satin Stainless Steel

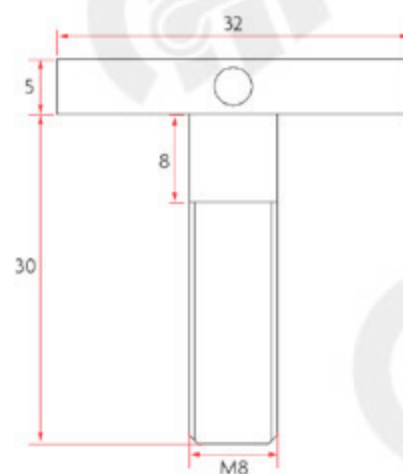
- M8 Thread
- 30mm length
- Suits External 1/2 set only

SPECIFICATION

Material	304 Grade Stainless Steel
Finish	Satin Stainless Steel
Warranty	5 Years
Finger Clearance	NA
AS1428 Compliant	NA
Includes Fixing Screws	NA
Projection	5mm
Length	30mm
Min Door Thickness	10mm
Max Door Thickness	15mm

CATEGORIES

General Hardware & Accessories / Entrance Handles
 Door Furniture / Residential Furniture



Contact

Customer Service: 1800 555 600
Locksmith Services: 1800 555 700
Email: online@accesshardware.com.au
Website: www.accesshardware.com.au

Disclaimer

The specifications on our website are often provided to us by our manufacturers, provided as guidance only. While Access ensures it deals with reputable manufacturers, it cannot verify the accuracy of every claim made by them about their products as manufacturers often reserve the right to make changes without notice. To the extent permitted by law, We are not liable in respect of any claims made on this website in respect of any specification or claim by a manufacturer for its product.