

2019 PRODUCT LIST

halliday
baillie

CREATING CLASSICS

h

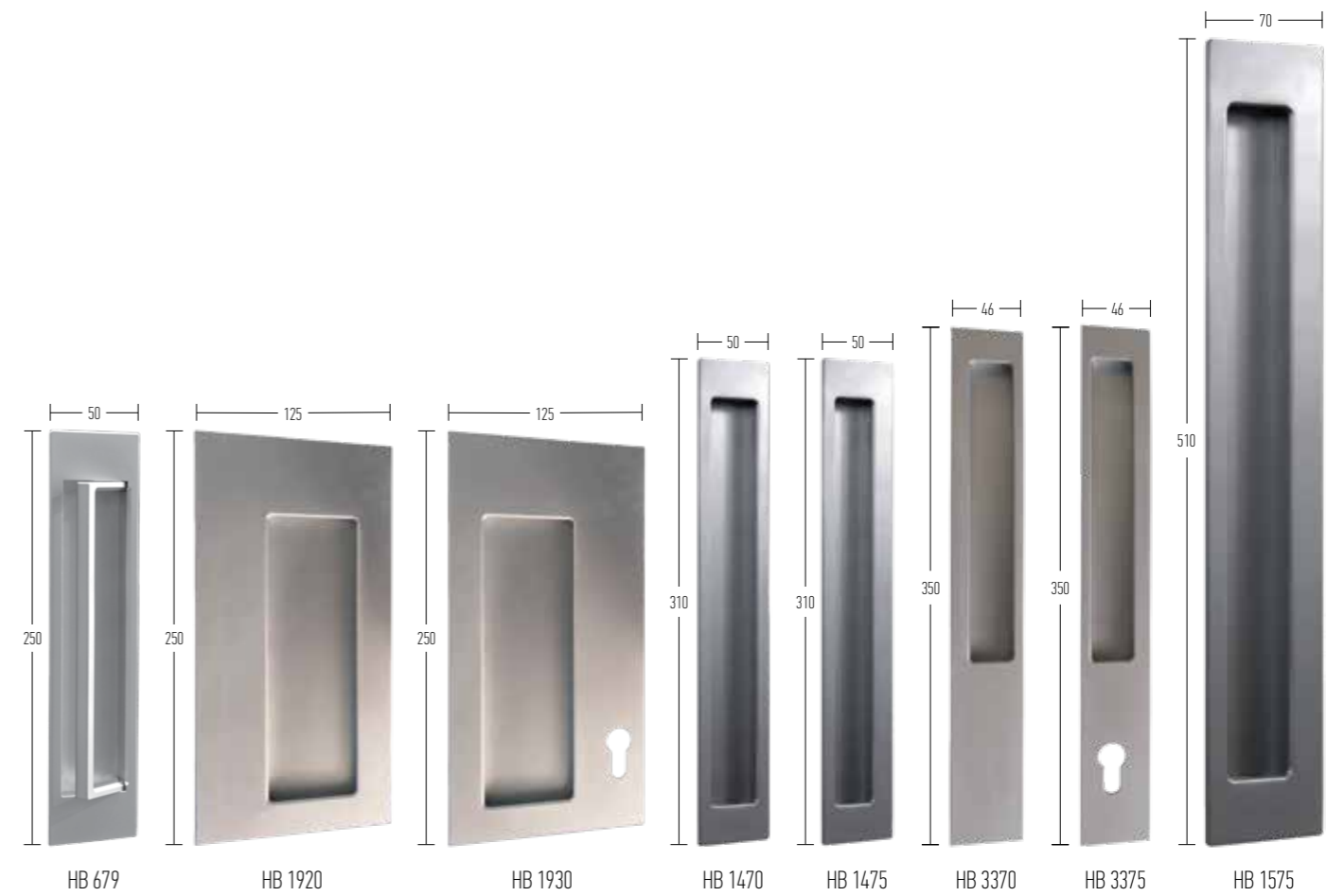
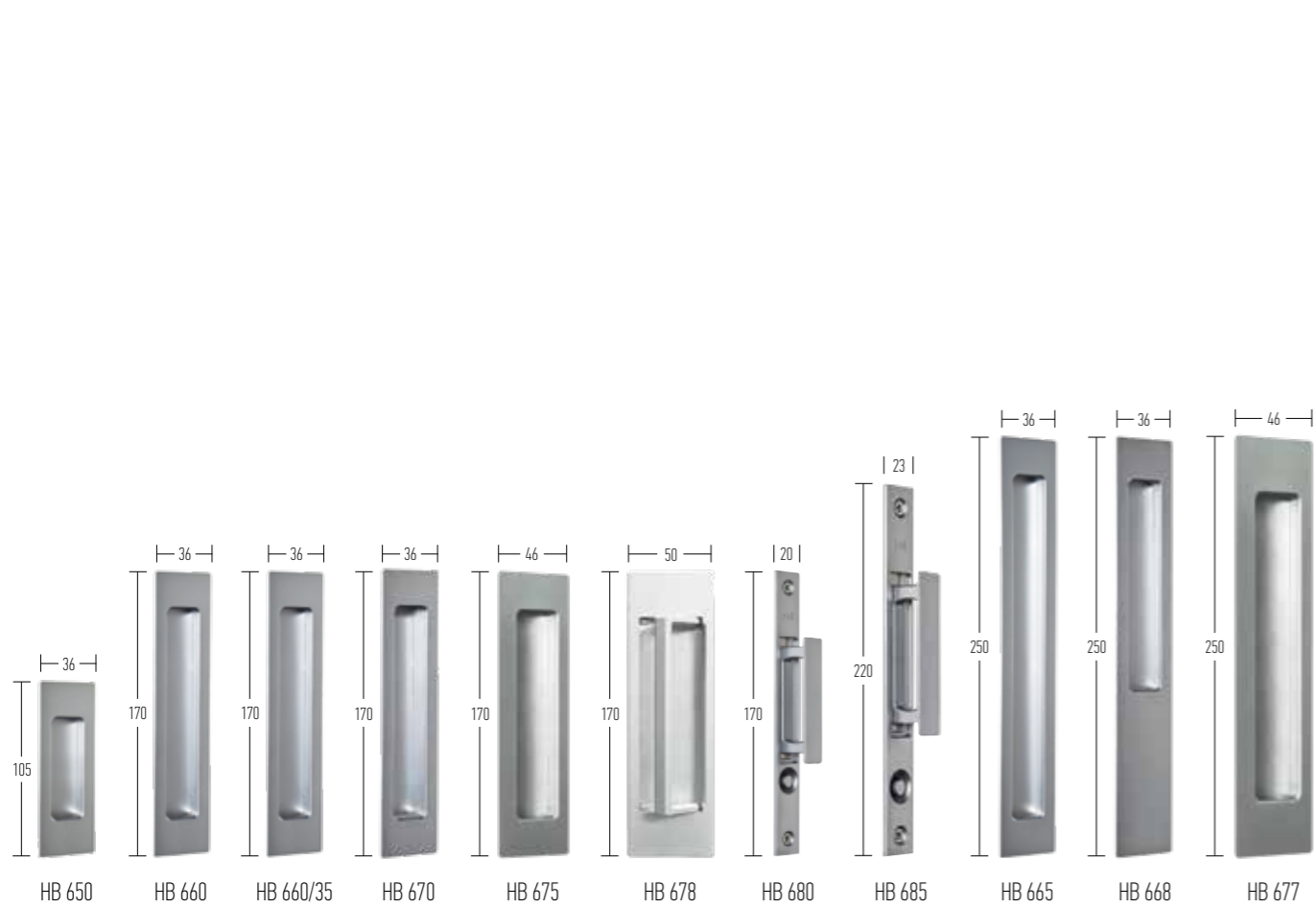
b

ARCHITECTURAL HARDWARE
Designed and manufactured in New Zealand
www.hallidaybaillie.com



2019
PRODUCT LIST

“Halliday + Baillie offers Architects and Designers products of the highest integrity for both residential and commercial applications. Our range of architectural hardware, designed and manufactured in New Zealand, is supplied to discerning customers around the world who demand distinctive quality. We are continually striving to create classic hardware that will stand the test of time.” Marcus Halliday

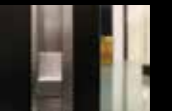


Welcome to the family! At Halliday + Baillie we understand that not all doors are created equal. Hardware that works on a sliding window, will not be suitable for a grand pivot door. We have created a collection of flush pulls and fittings to cover most eventualities because one size just won't fit all.



CONTENTS

BESPOKE HARDWARE	9
PRIVACY & SNIB SETS	11
LOCKSETS	25
DEADBOLT SETS	33
FLUSH & END PULLS	43
BOLTS & LOCKS	57
PULL HANDLES	73
STAIR RAIL BRACKETS	77
EXTRUSIONS	83
GENERAL HARDWARE	89
PRODUCT CODE INDEX	97



VALIDITY

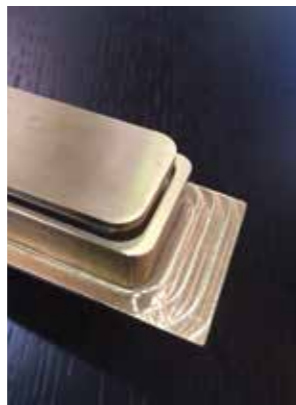
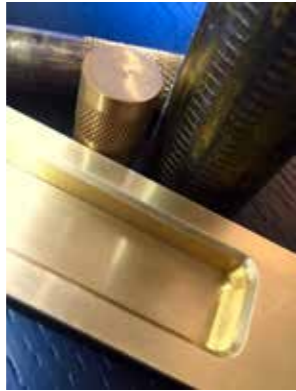
This product list is effective as of February 2019 and cancels and supersedes all prior information.

All sales are subject to Halliday + Baillie's general terms and conditions.

General Terms of Sale and Product Liability are available in writing upon request or can be downloaded from www.hallidaybaillie.com.

Please understand that despite best possible care, no responsibility is taken for any printing errors or omissions.

Any reprint, even in excerpts, is strictly subject to prior approval.



A RANGE OF BESPOKE HARDWARE

Halliday + Baillie are now producing a limited selection of products in Solid Bronze, 316 Marine Grade Stainless Steel, and Titanium.

These products are taken from our existing ranges, and made to order in premium materials. They are available on a project basis when a little more customisation is required. Examples are where a flush pull can be lengthened to suit the scale of an oversized door, or where custom etching of monograms or logos are required.

As this is a bespoke service please contact your local Halliday + Baillie representative to discuss the type of hardware that we are able to customise, lead times, and budgets. Please allow at least 12-16 weeks for this process.

BESPOKE HARDWARE

HB 640 SERIES (HB 648/649)

Sliding Door Grip
170/250mm Long Flush Pull Handles
33mm Backset
Various Snib Configurations, no End Pull



HB 690 SERIES

Sliding Door Grip
170mm Long Flush Pull Handles
55mm Backset
Various Privacy & Snib Configurations, with End Pull



HB 695 SERIES

Sliding Door Grip
250mm Long Flush Pull Handles
55mm Backset
Various Privacy & Snib Configurations, with End Pull



HB 1480 SERIES

Bi-fold/Pivot Door Grip
310mm Long Flush Pull Handles (Handed)
55mm Backset
Various Privacy & Snib Configurations, with End Pull



HB 1490 SERIES

Sliding Door Grip
310mm Long Flush Pull Handles
55mm Backset
Various Privacy & Snib Configurations, with End Pull



HB 1650 SERIES

Sliding Door Grip
250mm Long Flush Pull Handles (Handed)
55mm Backset
Various Privacy & Snib Configurations, with End Pull



HB 640 SERIES (HB 648/649) NARROW SNIB SETS 33mm BACKSET

HB 648 : HB 665 Snib One Side, No Pull Outside
HB 649 : HB 660 Snib One Side, No Pull Outside
HB 649/2 : HB 660 Snib Inside, Blank HB 660 Pull Outside

HB 690 SERIES PRIVACY/SNIB LOCKS 55mm BACKSET + END PULL

HB 690 : Privacy Set 170mm Pulls
HB 690/35 : Privacy Set 170mm Pulls, for 35mm thick doors
HB 691 : Body Only no End Pull
HB 692 : Snib Inside, Blank Outside, 170mm Pulls
HB 693 : Snib Inside, No Pull Outside, 170mm Pulls
HB 694 : Snib Both Sides, 170mm Pulls

HB 695 SERIES PRIVACY/SNIB LOCKS 55mm BACKSET + END PULL

HB 695 : Privacy Set, 250mm Pulls
HB 696 : Snib Inside, No Pull Outside, 250mm Pulls
HB 697 : Body Only + End Pull (replaces strike on bi-parting doors)
HB 698 : Snib Inside, Blank Outside, 250mm Pulls
HB 699 : Snib Both Sides, 250mm Pulls

HB 1480 SERIES SLIDING or PIVOT PRIVACY/SNIB LOCKS 55mm BACKSET + END PULL

HB 1480 : Bi-fold & Pivot Privacy Set, 310mm Pulls
HB 1482 : Bi-fold & Pivot, Snib In, Blank Out, 310mm Pulls
HB 1483 : Bi-fold & Pivot, Snib In, No Pull Out, 310mm Pulls
HB 1484 : Bi-fold & Pivot, Snib Both Sides, 310mm Pulls

HB 1490 SERIES SLIDING PRIVACY/SNIB LOCKS 55mm BACKSET + END PULL

HB 1490 : Sliding Privacy Set, 310mm Pulls
HB 1492 : Sliding, Snib Inside, Blank Outside, 310mm Pulls
HB 1493 : Sliding, Snib Inside, No Pull Outside, 310mm Pulls
HB 1494 : Sliding, Snib Both Sides, 310mm Pulls

HB 1650 SERIES SLIDING or PIVOT PRIVACY/SNIB LOCKS 55mm BACKSET + END PULL

HB 1650 : Sliding Privacy Set, 250mm Pulls
HB 1652 : Sliding Snib In, Blank Out, 250mm Pulls
HB 1653 : Sliding Snib In, No Pull Out, 250mm Pulls
HB 1654 : Sliding, Snib Both Sides, 250mm Pulls

PRIVACY & SNIB SETS

Halliday + Baillie privacy and snib flush sliding sets include a variety of options including privacy function (with an emergency release to the outside), and snib only locking for interior and exterior doors. Sets are available in 12 finishes and our three most popular flush pull lengths (170mm high, 250mm high, or 310mm high), for seamless integration with passage doors.

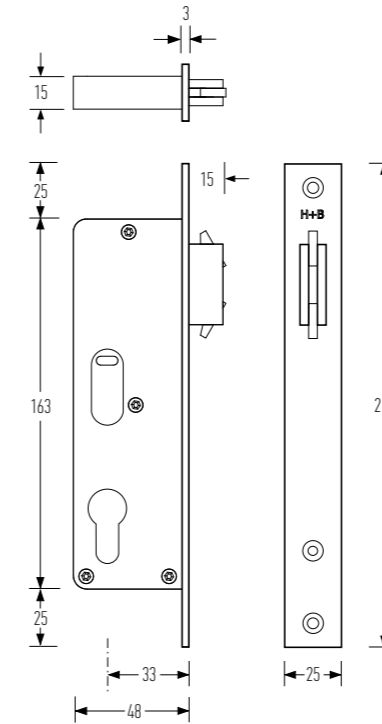
HB 640 SERIES (HB 648/649) NARROW SNIB SETS 33mm BACKSET

■ Please note that the "HB 640 Series" denotes the type of lock body used with various flush pull configurations. The sets below are SNIB ONLY. For key locking versions please see the upcoming section on lock sets.
 ■ Please note that only EBA, EDB, EMB, PB, PC, SC, WHT finishes are available in the Australian market.

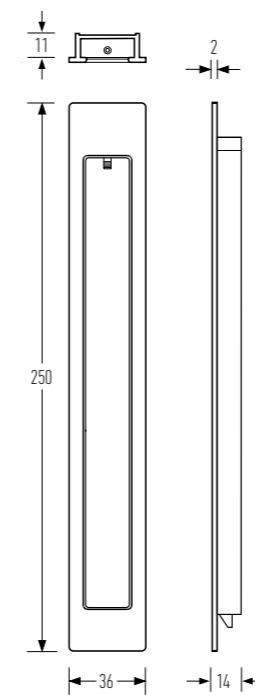
MODEL	DESCRIPTION	FINISH
HB 648	HB 665 Snib One Side, No Pull Outside	All Finishes
HB 649	HB 660 Snib One Side, No Pull Outside	All Finishes
HB 649/2	HB 660 Snib Inside, Blank HB 660 Pull Outside	All Finishes

■ DOOR THICKNESS: minimum thickness for all configurations is 38mm.
 ■ Sliding Door Sets are shipped with strike plate, dust box and fixings.
 ■ Rebate kits for both French Door and Bull Nose profiles are also available on request.

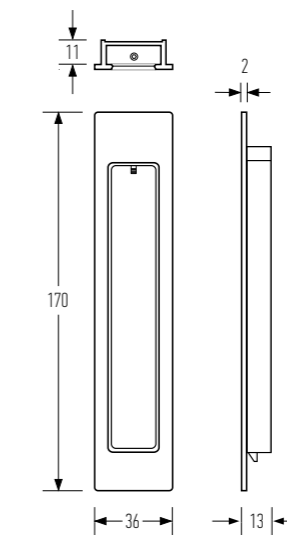
HB 640



HB 665



HB 660



HB 648



HB 649



HB 649/2



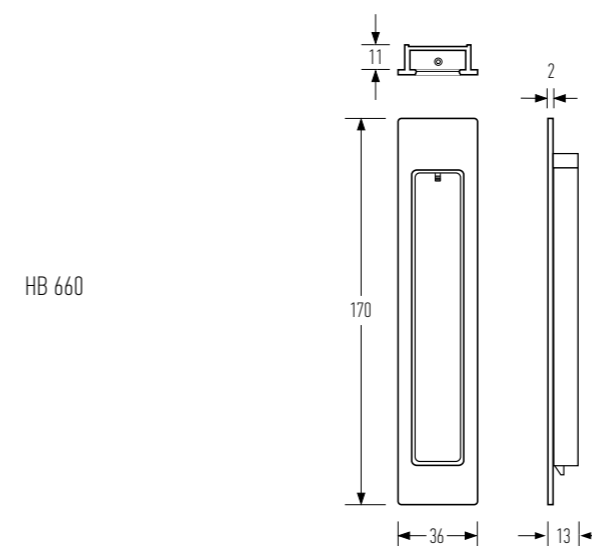
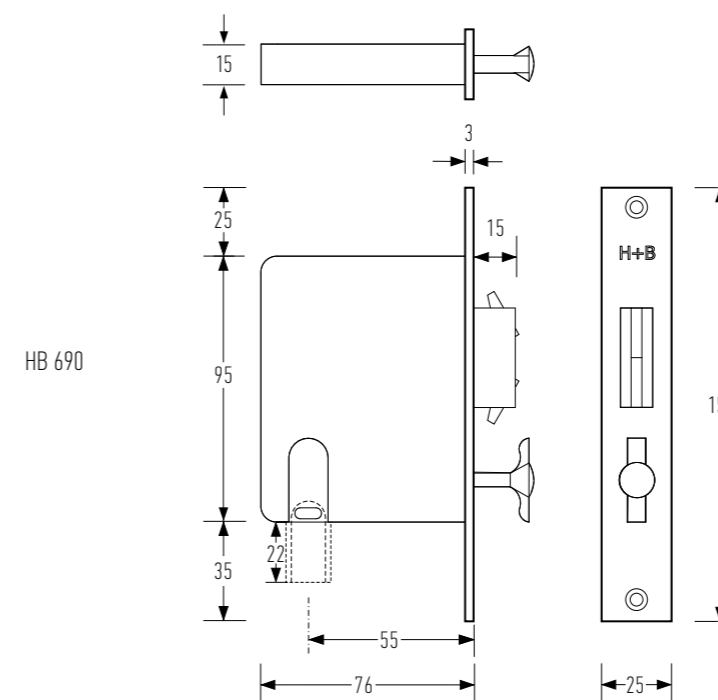
HB 690 SERIES PRIVACY/SNIB LOCKS 55mm BACKSET + END PULL

■ Please note that the "HB 690 Series" denotes the type of lock body used with various flush pull configurations. The sets below are SNIB ONLY. For key locking versions please see the upcoming section on lock sets.

MODEL	DESCRIPTION	FINISH
HB 690	Privacy Set 170mm Pulls	All Finishes
HB 690/35	Privacy Set 170mm Pulls, for 35mm thick doors	All Finishes
HB 692	Snib Inside, Blank Outside, 170mm Pulls	All Finishes
HB 693	Snib Inside, No Pull Outside, 170mm Pulls	All Finishes
HB 694	Snib Both Sides, 170mm Pulls	All Finishes

HB 691	Body Only no End Pull	All Finishes
HB 697	Body + End Pull, no Bolt (replaces strike on bi-parting doors)	All Finishes

- DOOR THICKNESS STANDARD HB 690 SERIES: minimum thickness for all configurations is 38mm.
- DOOR THICKNESS STANDARD HB 690/35 SERIES: for all configurations thickness is 35mm (set will not function on doors less than 35mm).
- Sliding Door Sets are shipped with strike plate, dust box and fixings.
- Rebate kits for both French Door and Bull Nose profiles are also available on request.
- HB 691 and HB 697 require standard Flush Pulls purchased separately to match the locking door leaf.



HB 690 & HB 690/35



HB 692 & HB 692/35



HB 693 & HB 693/35



HB 694 & HB 694/35

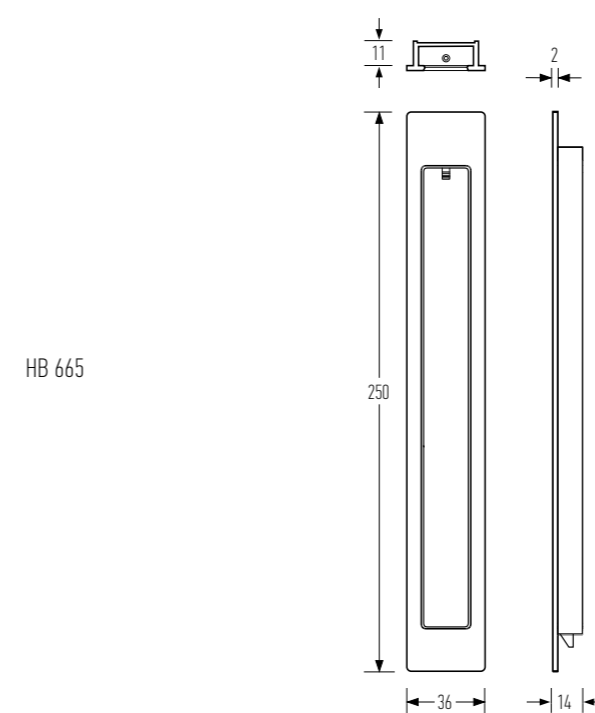
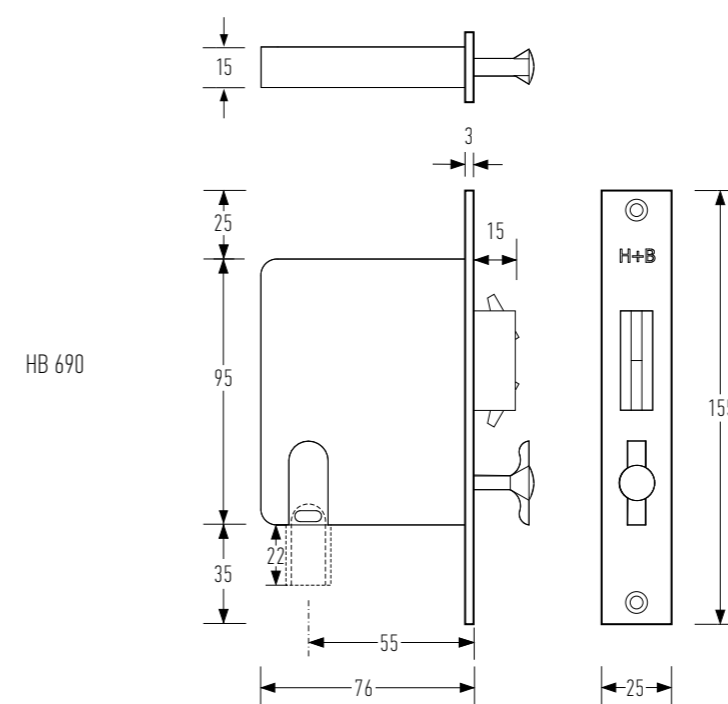
HB 695 SERIES PRIVACY/SNIB LOCKS 55mm BACKSET + END PULL

■ Please note that the "HB 695 Series" denotes the type of lock body used with various flush pull configurations. The sets below are SNIB ONLY. For key locking versions please see the upcoming section on lock sets.

MODEL	DESCRIPTION	FINISH
HB 695	Privacy Set, 250mm Pulls	All Finishes
HB 696	Snib Inside, No Pull Outside, 250mm Pulls	All Finishes
HB 698	Snib Inside, Blank Outside, 250mm Pulls	All Finishes
HB 699	Snib Both Sides, 250mm Pulls	All Finishes

HB 691	Body Only no End Pull	All Finishes
HB 697	Body + End Pull, no Bolt (replaces strike on bi-parting doors)	All Finishes

- DOOR THICKNESS STANDARD HB 695 SERIES: minimum thickness for all configurations is 38mm.
- Sliding Door Sets are shipped with strike plate, dust box and fixings.
- Rebate kits for both French Door and Bull Nose profiles are also available on request.
- HB 691 and HB 697 require standard Flush Pulls purchased separately to match the locking door leaf.



HB 695



HB 696



HB 698



HB 699

NO FLUSH PULL



HB 1480 SERIES SLIDING or PIVOT PRIVACY/SNIB LOCKS 55mm BACKSET + END PULL

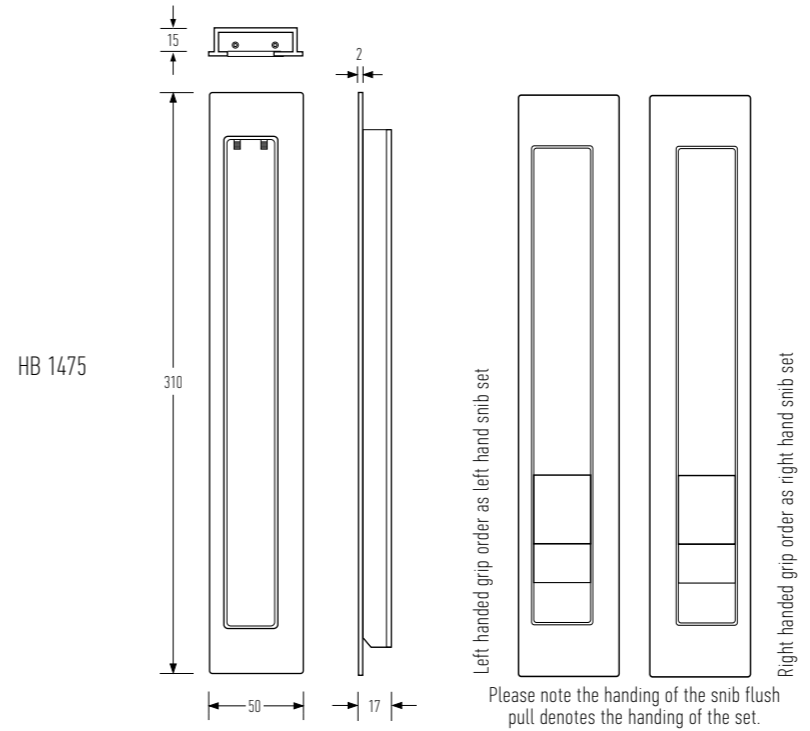
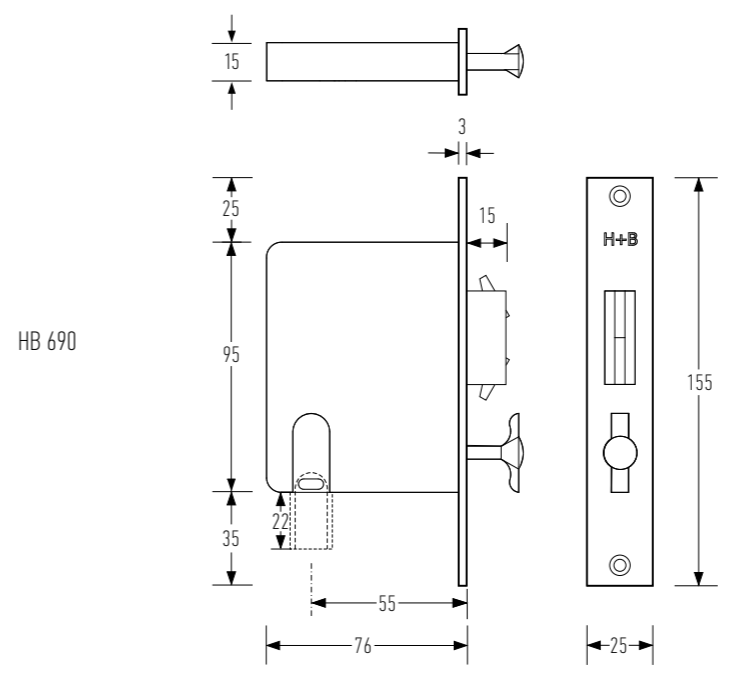
Designed and manufactured in New Zealand

■ Please note that the "HB 1480 Series" denotes the type of lock body used with various flush pull configurations. The sets below are SNIB ONLY. There is no key locking version of the HB 1480 Series. For a version with a deadbolt rather than a sliding bolt please see the following deadbolt section.

MODEL	DESCRIPTION	FINISH
HB 1480	Bi-fold & Pivot Privacy Set, 310mm Pulls	All Finishes
HB 1482	Bi-fold & Pivot, Snib In, Blank Out, 310mm Pulls	All Finishes
HB 1483	Bi-fold & Pivot, Snib In, No Pull Out, 310mm Pulls	All Finishes
HB 1484	Bi-fold & Pivot, Snib Both Sides, 310mm Pulls	All Finishes

HB 691	Body Only no End Pull	All Finishes
HB 697	Body + End Pull, no Bolt (replaces strike on bi-parting doors)	All Finishes

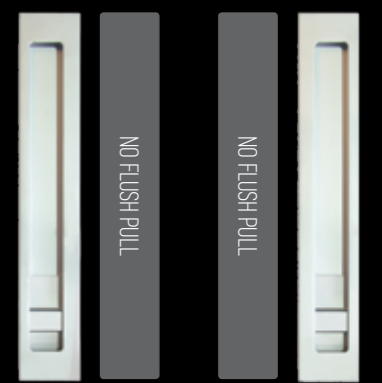
- DOOR THICKNESS: minimum thickness for all configurations is 45mm.
- Handing is required for HB 1480, HB 1482, HB 1483, & HB 1484.
- Sliding Door Sets are shipped with strike plate, dust box and fixings.
- Rebate kits for both French Door and Bull Nose profiles are also available on request.



HB 1480 LH SNIB HB 1480 RH SNIB



HB 1482 LH SNIB HB 1482 RH SNIB



HB 1483 LH SNIB HB 1483 RH SNIB



HB 1484



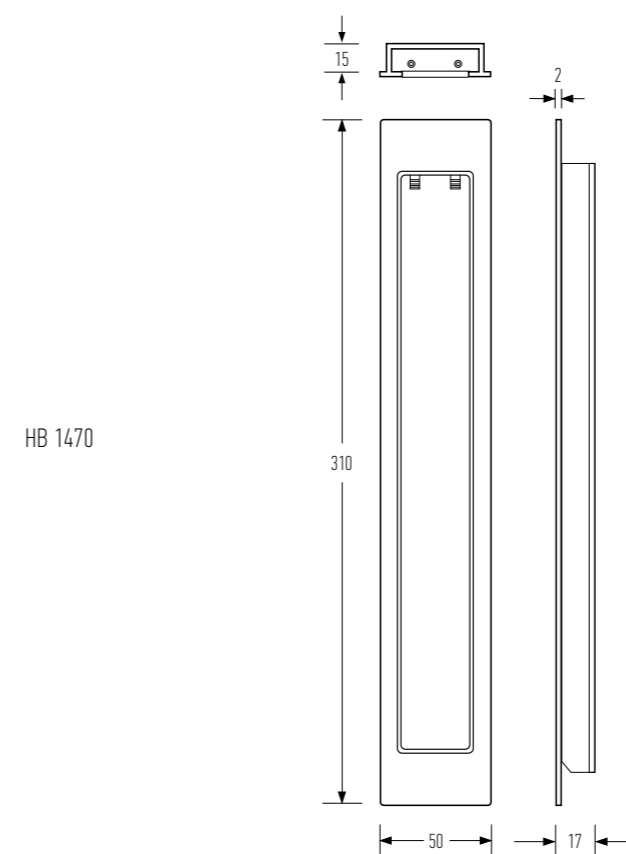
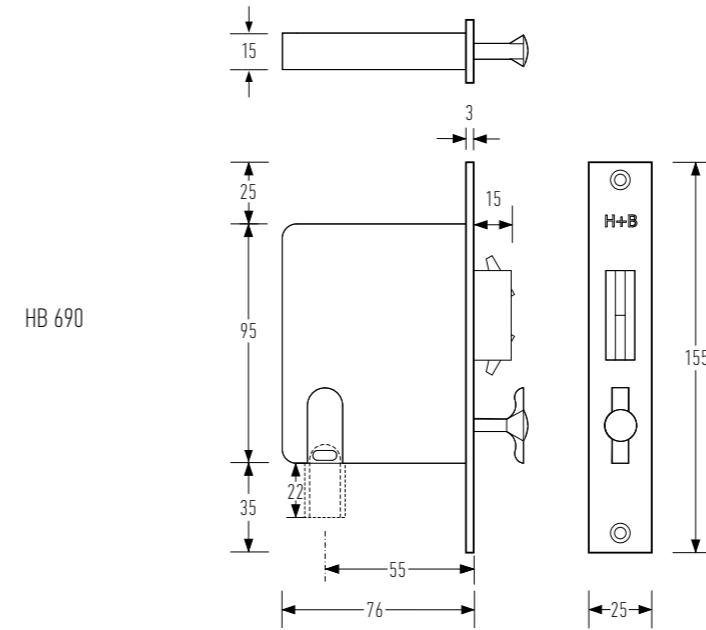
HB 1490 SERIES PRIVACY/SNIB LOCKS 55mm BACKSET + END PULL

Designed and manufactured in New Zealand

■ Please note that the "HB 1490 Series" denotes the type of lock body used with various flush pull configurations. The sets below are SNIB ONLY. There is no key locking version of the HB 1490 Series.

MODEL	DESCRIPTION	FINISH
HB 1490	Sliding Privacy Set, 310mm Pulls	All Finishes
HB 1492	Sliding, Snib Inside, Blank Outside, 310mm Pulls	All Finishes
HB 1493	Sliding, Snib Inside, No Pull Outside, 310mm Pulls	All Finishes
HB 1494	Sliding, Snib Both Sides, 310mm Pulls	All Finishes
HB 691	Body Only no End Pull	All Finishes
HB 697	Body + End Pull, no Bolt (replaces strike on bi-parting doors)	All Finishes

- DOOR THICKNESS: minimum thickness for all configurations is 45mm.
- Sliding Door Sets are shipped with strike plate, dust box and fixings.
- Rebate kits for both French Door and Bull Nose profiles are also available on request.



HB 1490



HB 1492



HB 1493



HB 1494



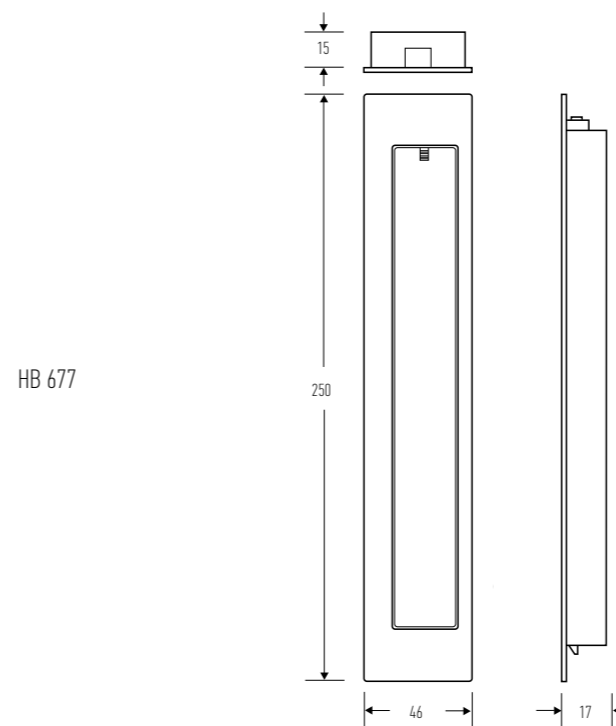
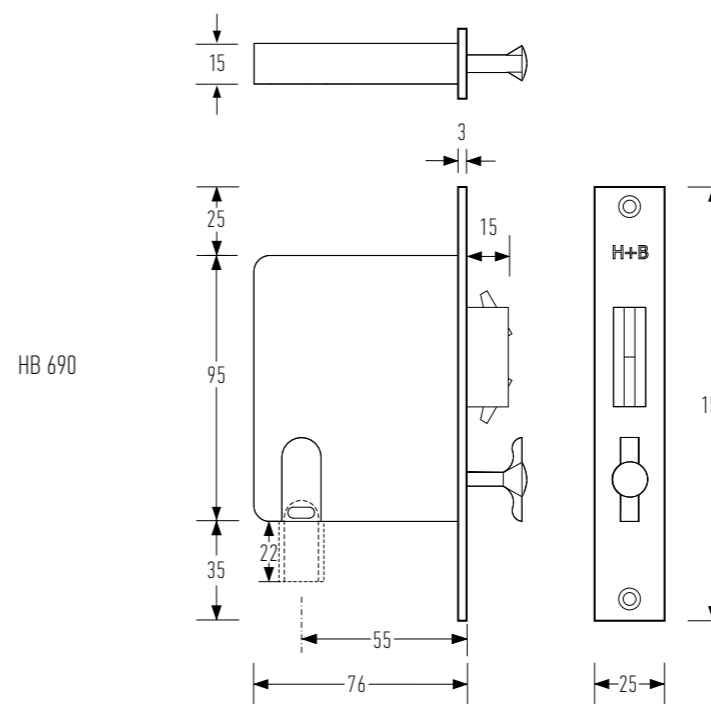
HB1650 SERIES SLIDING or PIVOT DOOR SET SERIES (250mm length)

■ Please note that the "HB 1650 Series" denotes the type of lock body used with various flush pull configurations. The sets below are SNIB ONLY. There is no key locking version of the HB 1650 Series. For a version with a deadbolt rather than a sliding bolt please see the following deadbolt section.

MODEL	DESCRIPTION	FINISH
HB 1650	Privacy Set	All Finishes
HB 1652	Snib In, Blank Out	All Finishes
HB 1653	Snib In, No Pull Out	All Finishes
HB 1654	Snib Both Sides	All Finishes

HB 691	Body Only no End Pull	All Finishes
HB 697	Body + End Pull, no Bolt (replaces strike on bi-parting doors)	All Finishes

- DOOR THICKNESS: minimum thickness for all configurations is 45mm.
- Sliding Door Sets are shipped with strike plate, dust box and fixings.
- Rebate kits for both French Door and Bull Nose profiles are also available on request.



Designed and manufactured in New Zealand



HB 1650 LH SNIB

HB 1650 RH SNIB



HB 1652 LH SNIB

HB 1652 RH SNIB



HB 1653 LH SNIB

HB 1653 RH SNIB



HB 1654

HB 630 SERIES

Sliding Door Grip
250mm Long Flush Pull Handles
55mm Backset
Various Locking Configurations, no End Pull



HB 638 SERIES

Sliding Door Grip
250mm Long Flush Pull Handles
55mm Backset
Various Locking Configurations, with End Pull



HB 640 SERIES

Sliding Door Grip
250mm Long Flush Pull Handles
33mm Backset
Various Locking Configurations, with End Pull



HB 630 SERIES KEYED LOCKS 55mm BACKSET

HB 630 : Key/Snib Both Sides
HB 632 : Key/Snib In, Blank Outside
HB 633 : Key/Snib In, No Pull Outside

HB 638 SERIES KEYED LOCKS 55mm BACKSET

HB 636 : Key/Snib In, No Pull Outside + End Pull
HB 637 : Key/Snib In, Blank Outside + End Pull
HB 638 : Key/Snib Both Sides + End Pull

HB 640 SERIES KEYED LOCKS NARROW 33mm BACKSET

HB 640 : Key/Snib Both Sides
HB 642 : Key/Snib Inside, Blank Outside
HB 643 : Key/Snib Inside, No Pull Outside

LOCKSETS

Halliday+Baillie flush sliding sets include options for key and snib locking for interior and exterior doors, available in a several configurations. Available with 170mm high, 250mm high, or 310mm high flush pulls, and in all 12 finishes, these sets allow security on locking doors with a consistent look no matter whether passage, snib, or key locks are required.

HB 630 SERIES KEYED LOCKS 55mm BACKSET

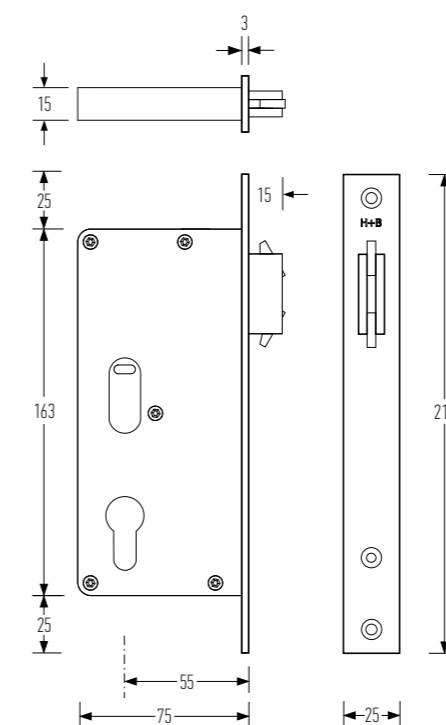
■ Please note that the "HB 630 Series" denotes the type of lock body used with various flush pull configurations. The HB 630 set with snib and key both sides is one possible configuration in the series. In all H+B Sliding Lock Sets the key and snib work independently of each other, where the snib throws the bolt, and the key locks the bolt in place. On models with a key and snib both sides, sliding the snib will only 'latch' the door (similar to a standard door handle), and a key is needed to make the door secure.

MODEL	DESCRIPTION	FINISH
HB 630	Key/Snib Both Sides	All Finishes
HB 632	Key/Snib In, Blank Outside	All Finishes
HB 633	Key/Snib In, No Pull Outside	All Finishes

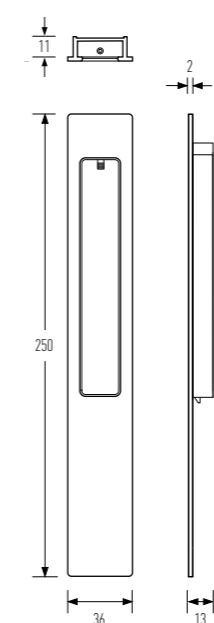
HB CLF 4021	3 Pin ½ Euro Cylinder for 38mm door	SC, others by order
HB CLF 4020	3 Pin DBL Euro Cylinder for 38mm door, keyed both sides	SC, others by order
HB CLF 48 S	3 Pin ½ Euro Cylinder for 45mm door	SC, others by order
HB CLF 48 D	3 Pin DBL Euro Cylinder for 45mm door, keyed both sides	SC, others by order

- DOOR THICKNESS: minimum thickness for all configurations is 38mm.
- Sliding Door Sets are shipped with strike plate, dust box and fixings.
- Rebate kits for both French Door and Bull Nose profiles are also available on request.
- For doors over 55mm (for example most double glazed doors) a 5 pin Euro cylinder can be used.

HB 630



HB 668



HB 630



HB 632



HB 633

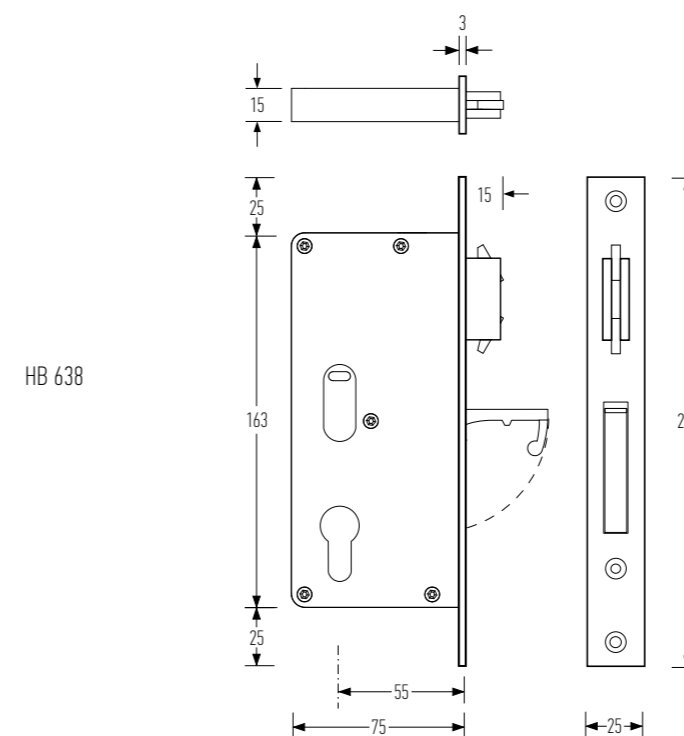
HB 638 SERIES KEYED LOCKS 55mm BACKSET

■ Please note that the "HB 638 Series" denotes the type of lock body used for various configurations. The HB 638 Set has a snib and key both sides and is one possible configuration in the series. In all H+B Sliding Sets the key and snib work independently of each other, where the snib throws the bolt and the key locks the bolt in place. On models with a key and snib both sides sliding the snib will only 'latch' the door (similar to a standard door handle) and a key is needed to make the door secure.

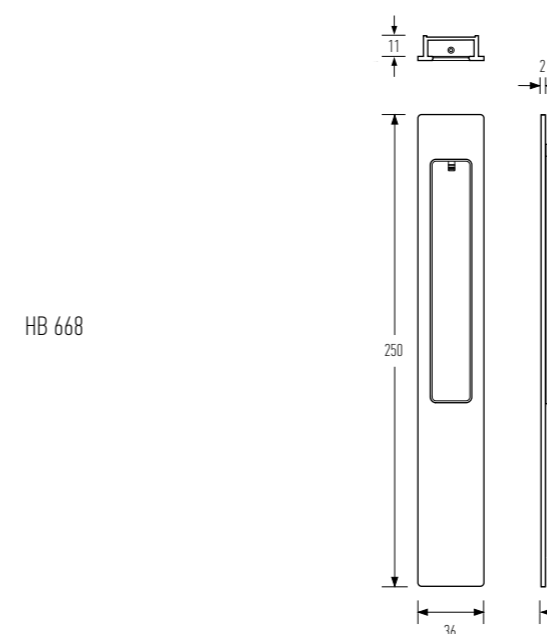
MODEL	DESCRIPTION	FINISH
HB 636	Key/Snib In, No Pull Outside + End Pull	All Finishes
HB 637	Key/Snib In, Blank Outside + End Pull	All Finishes
HB 638	Key/Snib Both Sides + End Pull	All Finishes

HB CLF 4021	3 Pin ½ Euro Cylinder for 38mm door	SC, others by order
HB CLF 4020	3 Pin DBL Euro Cylinder for 38mm door, keyed both sides	SC, others by order
HB CLF 48 S	3 Pin ½ Euro Cylinder for 45mm door	SC, others by order
HB CLF 48 D	3 Pin DBL Euro Cylinder for 45mm door, keyed both sides	SC, others by order

- DOOR THICKNESS: minimum thickness for all configurations is 38mm.
- Sliding Door Sets are shipped with strike plate, dust box and fixings.
- Rebate kits for both French Door and Bull Nose profiles are also available on request.
- For doors over 55mm (for example most double glazed doors) a 5 pin Euro cylinder can be used.



HB 638



HB 636



HB 638



HB 637



HB 636

NO FLUSH PULL

HB 640 SERIES KEYED LOCKS NARROW 33mm BACKSET

■ Please note that the "HB 640 Series" denotes the type of lock body used with various flush pull configurations. The HB 640 set with snib and key both sides is one possible configuration in the series. In all H+B Sliding Lock Sets the key and snib work independently of each other, where the snib throws the bolt, and the key locks the bolt in place. On models with a key and snib both sides, sliding the snib will only 'latch' the door (similar to a standard door handle), and a key is needed to make the door secure.

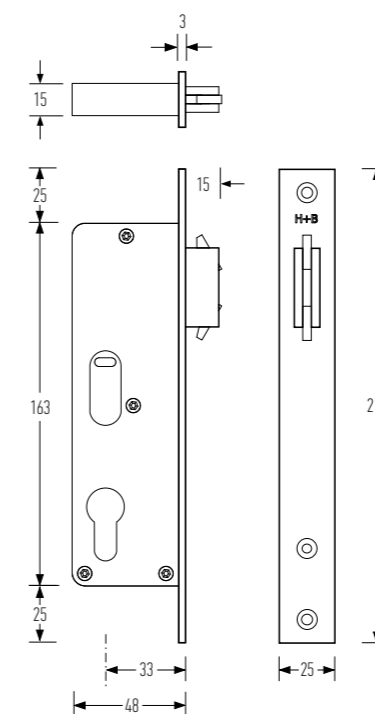
■ Please note that only EBA, EDB, EMB, PB, PC, SC, WHT finishes are available in the Australian market.

MODEL	DESCRIPTION	FINISH
HB 640	Key/Snib Both Sides	All Finishes
HB 642	Key/Snib Inside, Blank Outside	All Finishes
HB 643	Key/Snib Inside, No Pull Outside	All Finishes

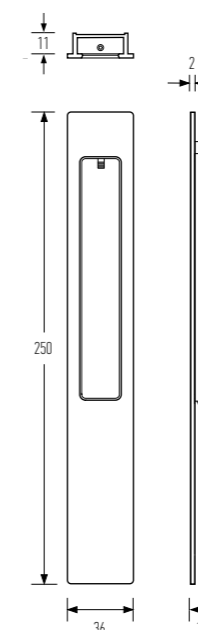
HB CLF 4021	3 Pin ½ Euro Cylinder for 38mm door	SC, others by order
HB CLF 4020	3 Pin DBL Euro Cylinder for 38mm door, keyed both sides	SC, others by order
HB CLF 48 S	3 Pin ½ Euro Cylinder for 45mm door	SC, others by order
HB CLF 48 D	3 Pin DBL Euro Cylinder for 45mm door, keyed both sides	SC, others by order

- DOOR THICKNESS: minimum thickness for all configurations is 38mm.
- Sliding Door Sets are shipped with strike plate, dust box and fixings.
- Rebate kits for both French Door and Bull Nose profiles are also available on request.
- For double glazed doors, or doors over 45mm a 5 pin Euro cylinder can be used.

HB 640



HB 668



HB 640



HB 642



HB 643



HB 1480 D SERIES

Bi-fold/Pivot Door Grip
310mm Long Flush Pull Handles (Handed)
55mm Backset
Various Privacy & Snib Configurations



HB 1650 D SERIES

Sliding Door Grip
250mm Long Flush Pull Handles (Handed)
55mm Backset
Various Privacy & Snib Configurations



HB 1940 SERIES

Bi-Fold/Pivot Door Grip
250mm Long Flush Pull Handles (Handed)
30mm Backset Sliding Lock
Various Key & Blank Configurations



HB 1950 SERIES

Bi-Fold/Pivot Door Grip
250mm Long Flush Pull Handles (Handed)
30mm Backset Deadbolt
Various Key & Blank Configurations



HB 1960 SERIES

Bi-Fold/Pivot Door Grip
250mm Long Flush Pull Handles (Handed)
55mm Backset Sliding Lock
Various Key & Blank Configurations



HB 1970 SERIES

Bi-Fold/Pivot Door Grip
250mm Long Flush Pull Handles (Handed)
55mm Backset Deadbolt
Various Key & Blank Configurations



HB 1480 D SERIES LARGE PRIVACY/SNIB LOCKS 55mm BACKSET, DEADBOLT

HB 1485 : Bi-fold & Pivot Privacy Set, 310mm Pulls
HB 1486 : Bi-fold & Pivot, Snib In, Blank Out, 310mm Pulls
HB 1487 : Bi-fold & Pivot, Snib In, No Pull Out, 310mm Pulls
HB 1488 : Bi-fold & Pivot, Snib Both Sides, 310mm Pulls

HB 1650 D SERIES PIVOT DOOR PRIVACY/SNIB LOCKS 55mm BACKSET, DEADBOLT

HB 1655 : Privacy Set
HB 1656 : Snib In, Blank Out
HB 1657 : Snib In, No Pull Out
HB 1658 : Snib Both Sides

HB 1940 SERIES LARGE RECTANGLE FLUSH PULL SLIDING LOCK SETS 30mm

HB 1940 : Sliding Lock Set, HB 2010 Body, HB 1930 Keyhole Pull Both Sides
HB 1942 : Sliding Lock Set, HB 2010 Body, HB 1930 Keyhole One Side, Blank Outside
HB 1943 : Sliding Lock Set, HB 2010 Body, HB 1930 Keyhole One Side Only

HB 1950 SERIES LARGE RECTANGLE FLUSH PULL DEADLOCK SETS 30mm

HB 1950 : Deadbolt Set, HB 2015 Body, HB 1930 Keyhole Pull Both Sides
HB 1952 : Deadbolt Set, HB 2015 Body, HB 1930 Keyhole One Side, Blank Outside
HB 1953 : Deadbolt Set, HB 2015 Body, HB 1930 Keyhole One Side Only

HB 1960 SERIES LARGE RECTANGLE FLUSH PULL SLIDING LOCK SETS 55mm

HB 1960 : Sliding Lock Set, HB 2020 Body, HB 1930 Keyhole Pull Both Sides
HB 1962 : Sliding Lock Set, HB 2020 Body, HB 1930 Keyhole One Side, Blank Outside
HB 1963 : Sliding Lock Set, HB 2020 Body, HB 1930 Keyhole One Side Only

HB 1970 SERIES LARGE RECTANGLE FLUSH PULL DEADLOCK SETS 55mm

HB 1970 : Deadbolt Set, HB 2025 Body, HB 1930 Keyhole Pull Both Sides
HB 1972 : Deadbolt Set, HB 2025 Body, HB 1930 Keyhole One Side, Blank Outside
HB 1973 : Deadbolt Set, HB 2025 Body, HB 1930 Keyhole One Side Only

DEADBOLT SETS

Designed and made in New Zealand, these sets solve a host of locking situations on swing, pivot or bi-folding doors. With four different flush pull styles to choose from including the wide HB1930 pulls, these sets are also available in all the Halliday + Baillie finishes to mix and match to match your project.



HB 1480 D SERIES LARGE PRIVACY/SNIB LOCKS 55mm BACKSET

■ Please note that the "HB 1480 D Series" denotes the type of lock body used with various flush pull configurations. The sets below are SNIB ONLY, and are used with a variation of the HB 691 Body which has no Pop Out and a rectangular bolt rather than the double pronged sliding bolt. There is no key locking version of the HB 1480 D Series. For a version with a sliding lock body rather than a deadbolt please see the previous section.

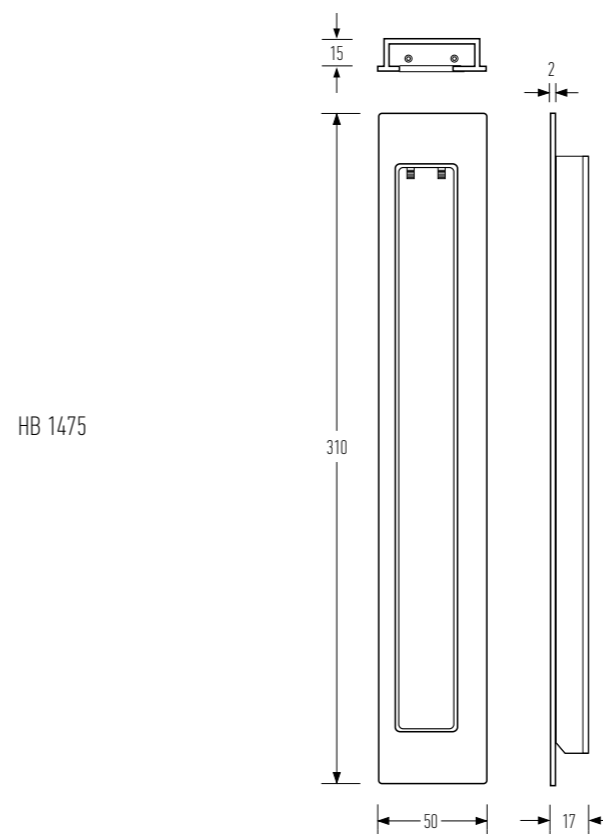
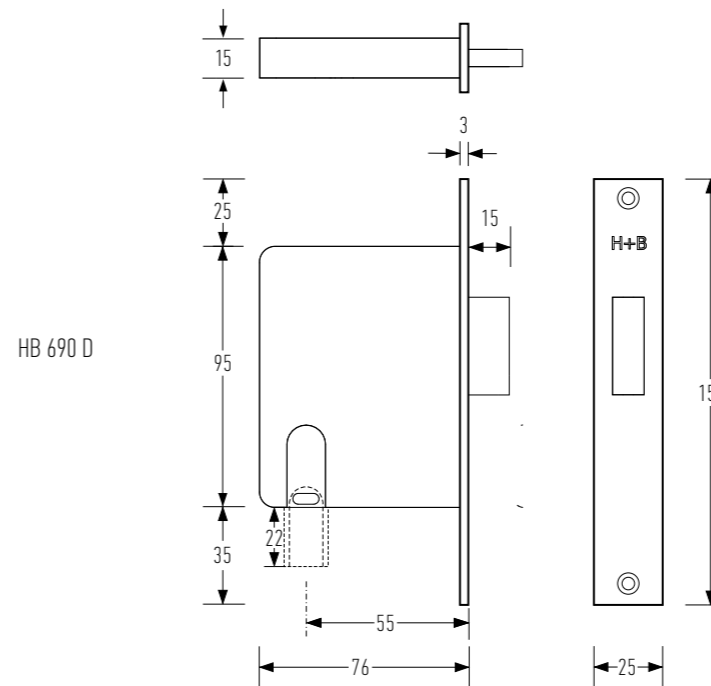
MODEL	DESCRIPTION	FINISH
HB 1485	Deadbolt Bi-fold & Pivot Privacy Set, 310mm Pulls	All Finishes
HB 1486	Deadbolt Bi-fold & Pivot, Snib In, Blank Out, 310mm Pulls	All Finishes
HB 1487	Deadbolt Bi-fold & Pivot, Snib In, No Pull Out, 310mm Pulls	All Finishes
HB 1488	Deadbolt Bi-fold & Pivot, Snib Both Sides, 310mm Pulls	All Finishes

■ DOOR THICKNESS: minimum thickness for all configurations is 45mm.

■ Handing is required for HB 1485, HB 1486, HB 1487, & HB 1488.

■ Door Sets are shipped with strike plate, dust box and fixings.

■ Rebate kits for both French Door and Bull Nose profiles are also available on request.



Designed and manufactured in New Zealand



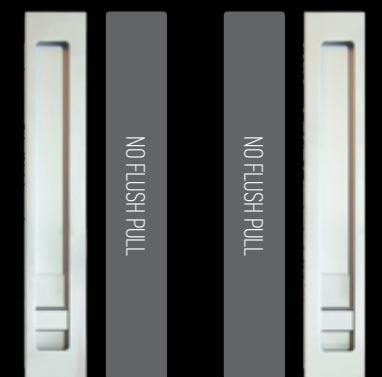
HB 1485 LH SNIB

HB 1485 RH SNIB



HB 1486 LH SNIB

HB 1486 RH SNIB



HB 1487 LH SNIB

HB 1487 RH SNIB



HB 1488

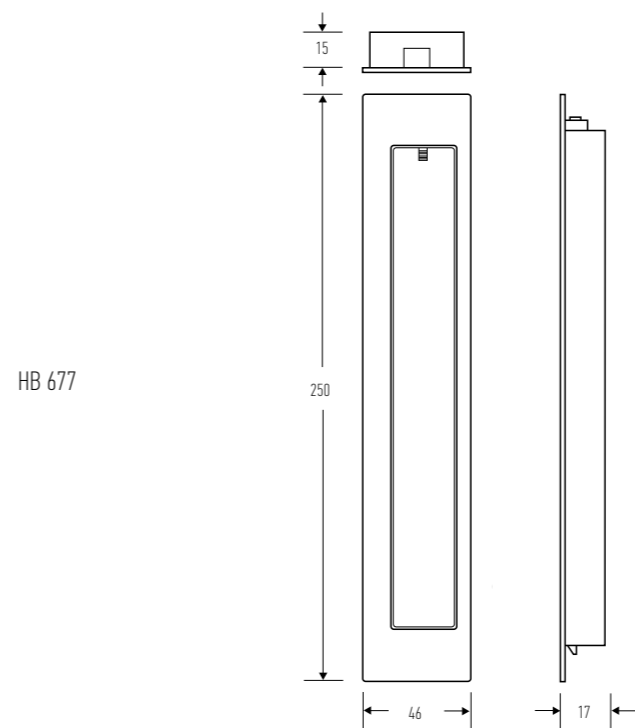
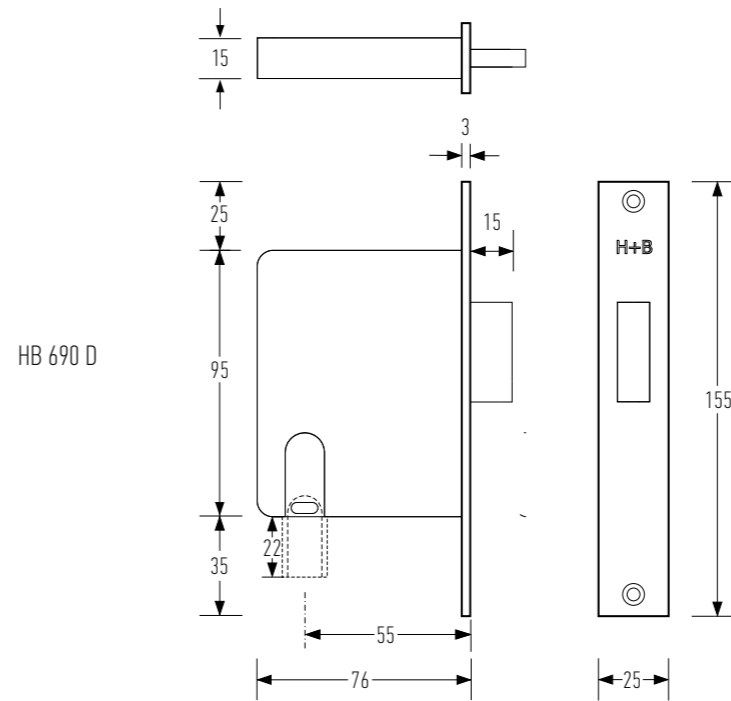


HB 1650 D SERIES PIVOT DOOR SET SERIES (250mm length)

■ Please note that the "HB 1650 D Series" denotes the type of lock body used with various flush pull configurations. The sets below are SNIB ONLY, and are used with a variation of the HB 691 Body which has no Pop Out and a rectangular bolt rather than the double pronged sliding bolt. There is no key locking version of the HB 1650 D Series. For a version with a sliding lock body rather than a deadbolt please see the previous section.

MODEL	DESCRIPTION	FINISH
HB 1655	Deadbolt Privacy Set	All Finishes
HB 1656	Deadbolt Snib In, Blank Out	All Finishes
HB 1657	Deadbolt Snib In, No Pull Out	All Finishes
HB 1658	Deadbolt Snib Both Sides	All Finishes

- DOOR THICKNESS: minimum thickness for all configurations is 45mm.
- Door Sets are shipped with strike plate, dust box and fixings.
- Rebate kits for both French Door and Bull Nose profiles are also available on request.



Designed and manufactured in New Zealand



HB 1655 LH SNIB

HB 1655 RH SNIB



HB 1656 LH SNIB

HB 1656 RH SNIB



HB 1657 LH SNIB

HB 1657 RH SNIB



HB 1658

HB 1940 SERIES LARGE RECTANGLE FLUSH PULL SLIDING LOCK SETS 30mm

■ Please note that the "HB 1940 Series" denotes the type of lock body used with various flush pull configurations. The sets below are key locking only (no snib), and are used with the HB 2010 Sliding lock with a 30mm backset.

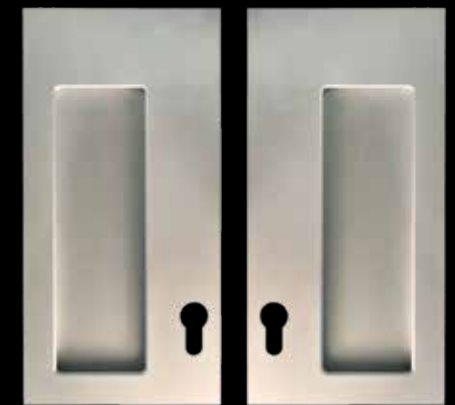
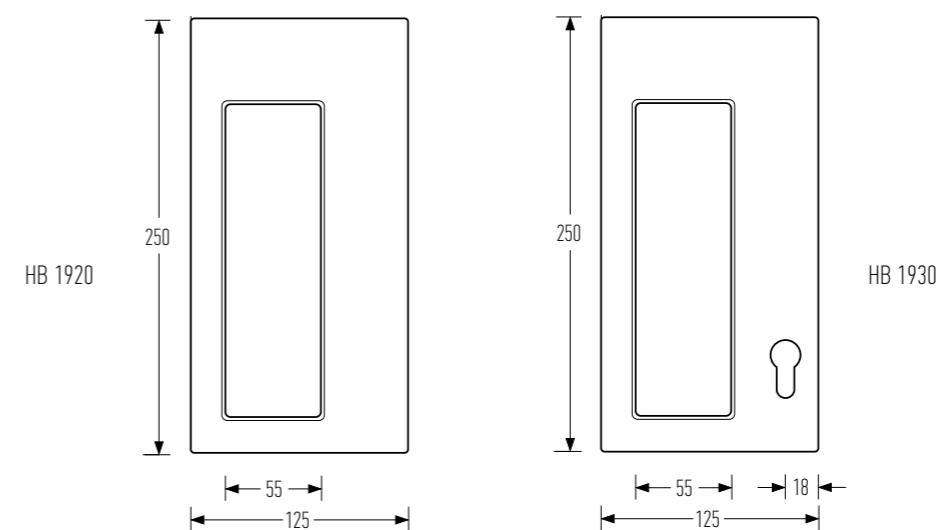
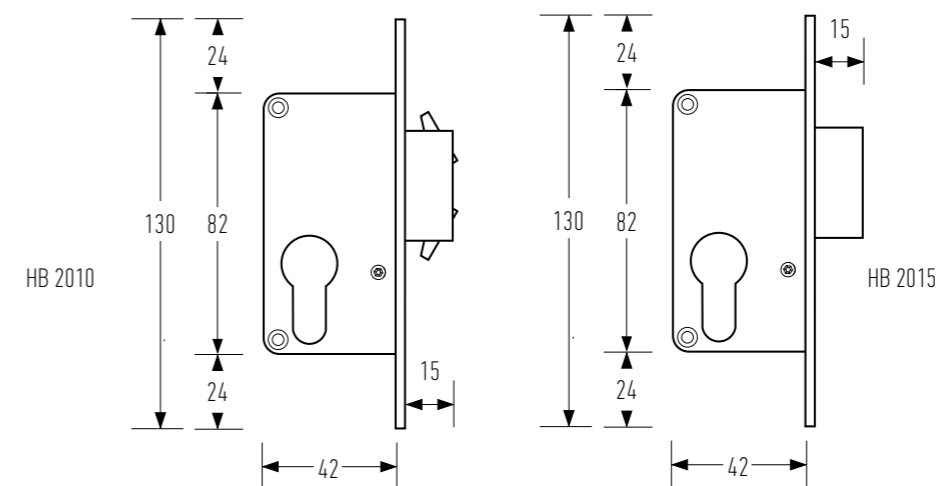
MODEL	DESCRIPTION	FINISH
HB 1940	Sliding Lock Set, HB 2010 Body, HB 1930 Keyhole Pull Both Sides	All Finishes
HB 1942	Sliding Lock Set, HB 2010 Body, HB 1930 Keyhole One Side, Blank Outside	All Finishes
HB 1943	Sliding Lock Set, HB 2010 Body, HB 1930 Keyhole One Side Only	All Finishes

HB 1950 SERIES LARGE RECTANGLE FLUSH PULL DEADLOCK SETS 30mm

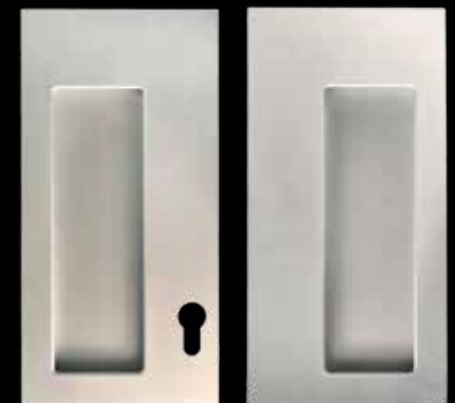
■ Please note that the "HB 1950 Series" denotes the type of lock body used with various flush pull configurations. The sets below are key locking only (no snib), and are used with the HB 2015 Deadbolt lock with a 30mm backset.

MODEL	DESCRIPTION	FINISH
HB 1950	Deadbolt Set, HB 2015 Body, HB 1930 Keyhole Pull Both Sides	All Finishes
HB 1952	Deadbolt Set, HB 2015 Body, HB 1930 Keyhole One Side, Blank Outside	All Finishes
HB 1953	Deadbolt Set, HB 2015 Body, HB 1930 Keyhole One Side Only	All Finishes

- DOOR THICKNESS: minimum thickness for all configurations is 35mm (as the lock body sits entirely behind the faceplate area).
- Door sets are shipped with strike plate, dust box and fixings.
- Door Sets are shipped with strike plate, dust box and fixings.



HB 1940 & HB 1950



HB 1942 & HB 1952



HB 1943 & HB 1953



HB 1960 SERIES LARGE RECTANGLE FLUSH PULL SLIDING LOCK SETS 55mm

■ Please note that the "HB 1960 Series" denotes the type of lock body used with various flush pull configurations. The sets below are key locking only (no snib), and are used with the HB 2020 Sliding lock with a 55mm backset.

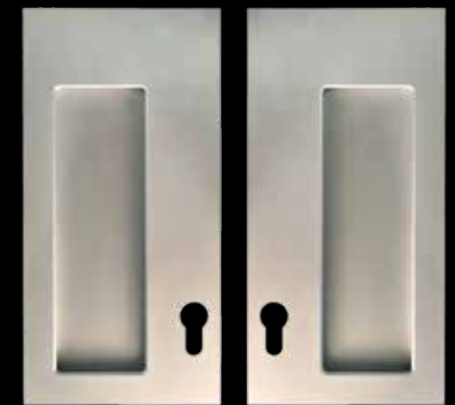
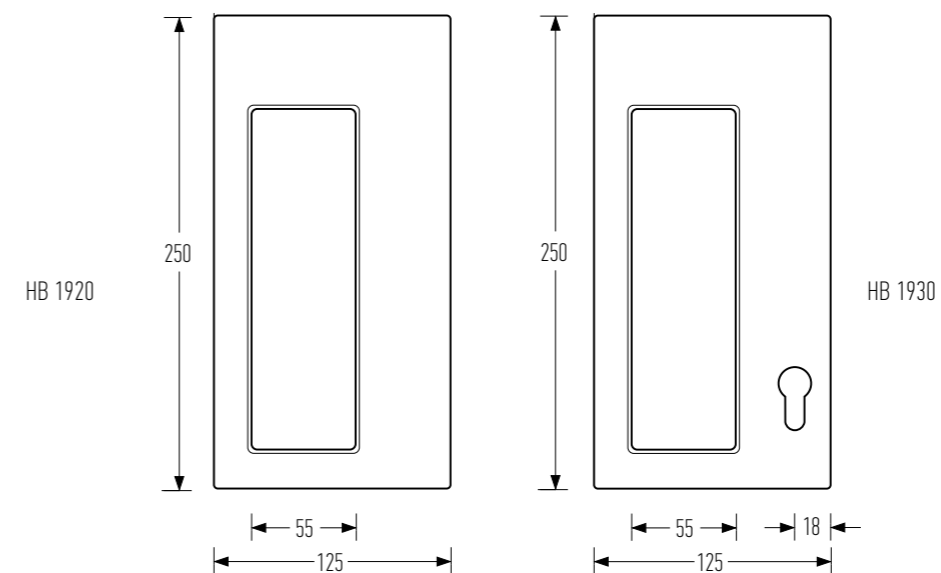
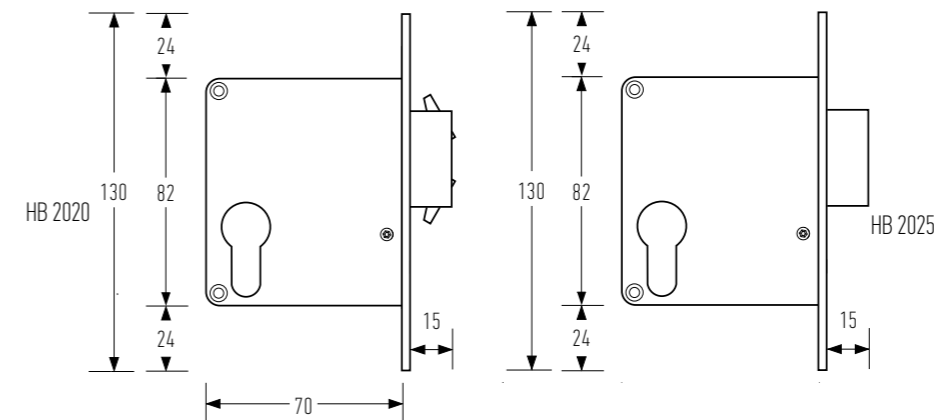
MODEL	DESCRIPTION	FINISH
HB 1960	Sliding Lock Set, HB 2020 Body, HB 1930 Keyhole Pull Both Sides	All Finishes
HB 1962	Sliding Lock Set, HB 2020 Body, HB 1930 Keyhole One Side, Blank Outside	All Finishes
HB 1963	Sliding Lock Set, HB 2020 Body, HB 1930 Keyhole One Side Only	All Finishes

HB 1970 SERIES LARGE RECTANGLE FLUSH PULL DEADLOCK SETS 55mm

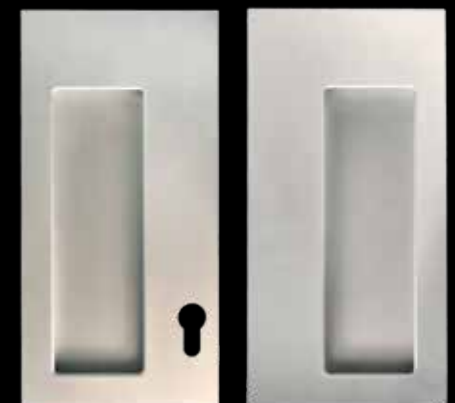
■ Please note that the "HB 1970 Series" denotes the type of lock body used with various flush pull configurations. The sets below are key locking only (no snib), and are used with the HB 2025 Deadbolt lock with a 55mm backset.

MODEL	DESCRIPTION	FINISH
HB 1970	Deadbolt Set, HB 2025 Body, HB 1930 Keyhole Pull Both Sides	All Finishes
HB 1972	Deadbolt Set, HB 2025 Body, HB 1930 Keyhole One Side, Blank Outside	All Finishes
HB 1973	Deadbolt Set, HB 2025 Body, HB 1930 Keyhole One Side Only	All Finishes

- DOOR THICKNESS: minimum thickness for all configurations is 35mm (as the lock body sits entirely behind the faceplate area).
- Door sets are shipped with strike plate, dust box and fixings.
- Door Sets are shipped with strike plate, dust box and fixings.



HB 1960 & HB 1962



HB 1962 & HB 1972



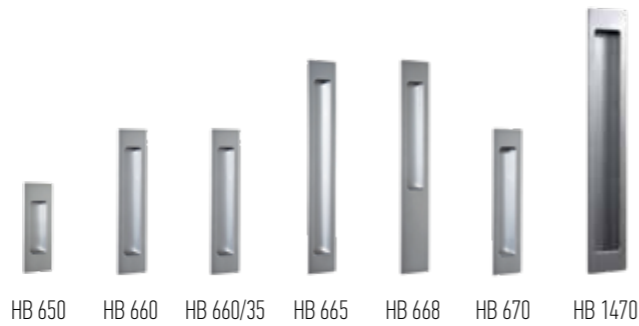
HB 1963 & HB 1973

FLUSH PULLS

Sliding grips

Sizes at 105mm, 170mm, 250mm & 310mm

Timber fixing kits required when mounted to timber



EDGE PULLS

"Pop-out" mechanism

Sizes at 170mm & 220mm

Screw fix



BI-FOLD/PIVOT FLUSH PULLS

Bi-fold/Pivot grip

Sizes at 170mm, 250mm, 310mm, 350mm & 510mm

Timber fixing kits required when mounted to timber



FLUSH D PULLS

Integrated D-Pull grip

Sizes at 170mm & 250mm

Timber fixing kits required when mounted to timber



FLUSH PULLS

HB 650 : Flush Pull, 36mm x 105mm

HB 660 : Flush Pull, 36mm x 170mm

HB 660/35 : Shallower version of the HB 660 Flush Pull for 35-38mm doors

HB 670 : Same dimensions as HB 660 but with an increased recess depth of 15mm

HB 665 : Flush Pull, 36mm x 250mm with full length recess

HB 668 : Flush Pull, 36mm x 250mm with recess to match Flush Pulls on HB 630 & HB 640 sets

HB 604 : Timber Fixing Kit for Flush Pulls

HB 1470 : Large Flush Pull in solid brass, 50mm x 310mm

HB 1410 : Timber Fixing Kit for large Flush Pulls

EDGE PULLS

HB 680 : Button-Activated Edge Pull, 20mm x 170mm

HB 685 : Button-Activated Edge Pull Large, 23mm x 220mm

BI-FOLD/PIVOT FLUSH PULLS

HB 675 : Bi-fold & Pivot Door Pull with additional finger grip, 46mm x 170mm, comes as a handed flush pull for left and right hand

HB 677 : Bi-fold & Pivot Door Pull with additional finger grip, 46mm x 250mm, comes as a handed Flush Pull for left and right hand

HB 604 : Timber Fixing Kit for Flush Pulls

HB 1475 : Large Bi-fold & Pivot Flush Pull in solid brass, 50mm x 310mm

HB 1575 : Extra Large Bi-fold & Pivot Flush Pull in solid brass, 50mm x 510mm

HB 1410 : Timber Fixing Kit for 310mm long Flush Pulls

HB 1510 : Timber Fixing Kit for 510mm long Flush Pulls

RECTANGULAR BI-FOLD/PIVOT FLUSH PULLS

HB 3370 : Extra Long Bi-Fold & Pivot Door Pull, no Key Hole, 46mm x 350mm

HB 3375 : Extra Long Bi-Fold & Pivot Door Pull, with Key Hole, 46mm x 350mm

HB 1920 : Rectangular Bi-Fold & Pivot Door Pull, no Key Hole, 125mm x 250mm

HB 1930 : Rectangular Bi-Fold & Pivot Door Pull, with Key Hole, 125mm x 250mm

HB 1510 : Timber Fixing Kit for 510mm long Flush Pulls

FLUSH D PULLS

HB 678 : Flush D Pull, 50mm x 170mm with integrated pivoting D handle

HB 679 : Flush D Pull, 50mm x 250mm with integrated pivoting D handle

HB 604 : Timber Fixing Kit for Flush Pulls

FLUSH & END PULLS

Our extensive range of Flush Pulls, Bi-fold and Pivot Pulls, and flush D Pulls come in 12 finishes and cover sizes from mini (105mm) to super-size (510mm)! In addition to flush pulls with the standard grip for sliding doors, we offer a range of deeper asymmetric grips pulls for pivot, bi-fold, or hinge doors to allow for a consistent aesthetic across all door types. To complement our Flush Pull range for cavity sliders, we have two sizes of end/edge pulls for easy extraction of sliding doors from cavity pockets.

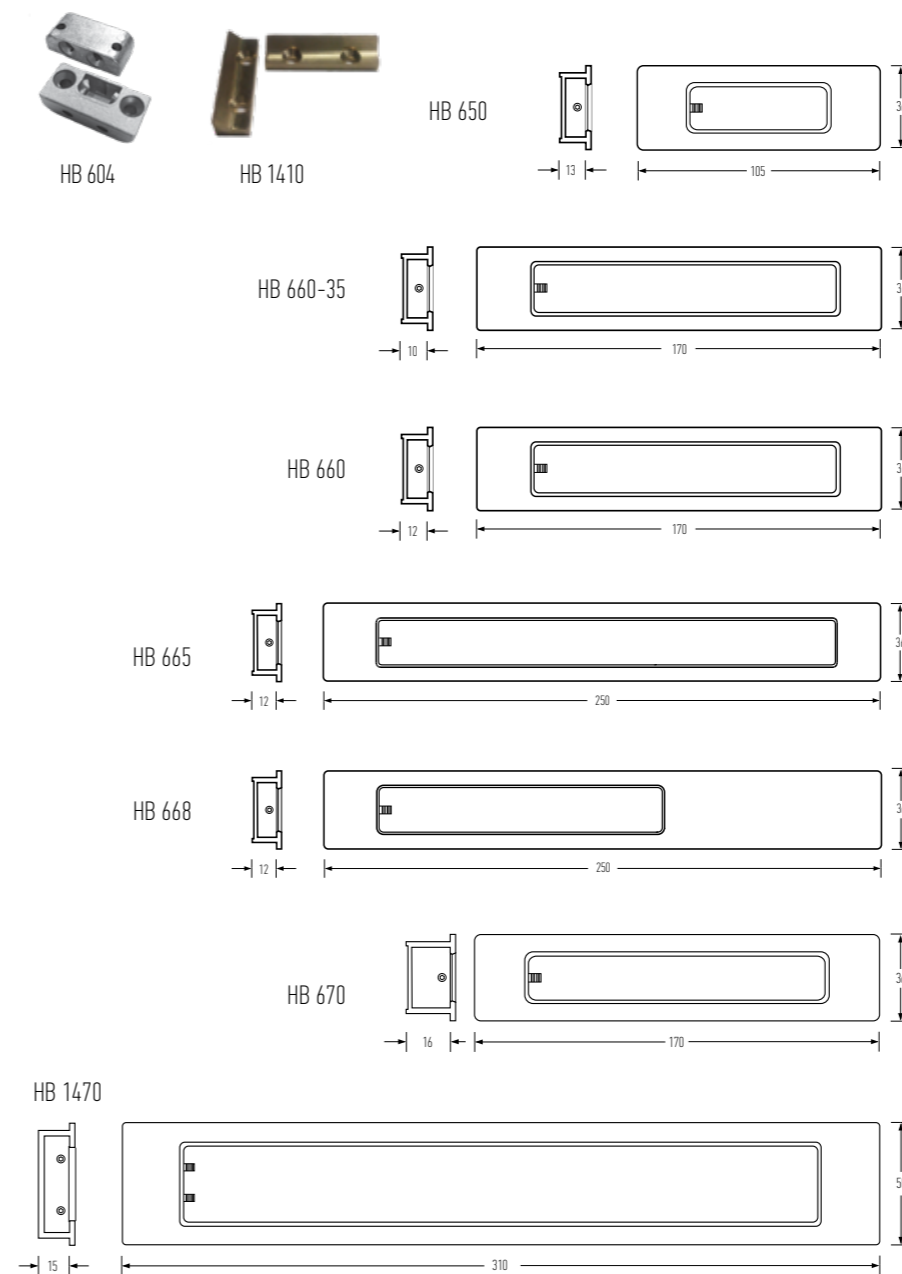


FLUSH PULLS

Designed and manufactured in New Zealand

MODEL	DESCRIPTION	FINISH
HB 650	Flush Pull, 36mm x 105mm	All Finishes
HB 660	Flush Pull, 36mm x 170mm	All Finishes
HB 660/35	Shallower version of the HB 660 Flush Pull for 35-38mm doors	All Finishes
HB 670	Same dimensions as HB 660 but with an increased recess depth of 15mm	All Finishes
HB 665	Flush Pull, 36mm x 250mm with full length recess	All Finishes
HB 668	Flush Pull, 36mm x 250mm with recess to match Flush Pulls on HB 630 & HB 640 sets	All Finishes
HB 604	Timber Fixing Kit for Flush Pulls, 105mm - 250mm	NA
HB 1470	Large Flush Pull in solid brass, 50mm x 310mm	All Finishes
HB 1410	Timber Fixing Kit for Flush Pulls, 310mm	NA

■ All Flush Pulls require the appropriate Timber Fixing Kit for installation in timber doors (HB 604 or HB 1410).



HB 650



HB 660



HB 665

HB 668



HB 670



HB 1470

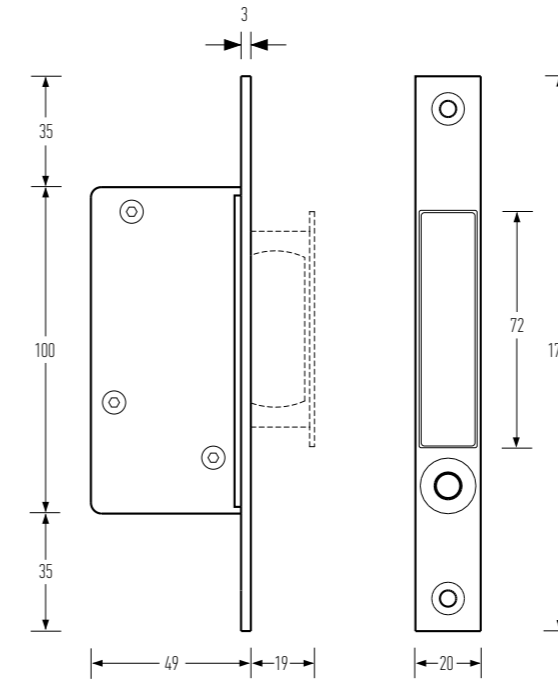


EDGE PULLS

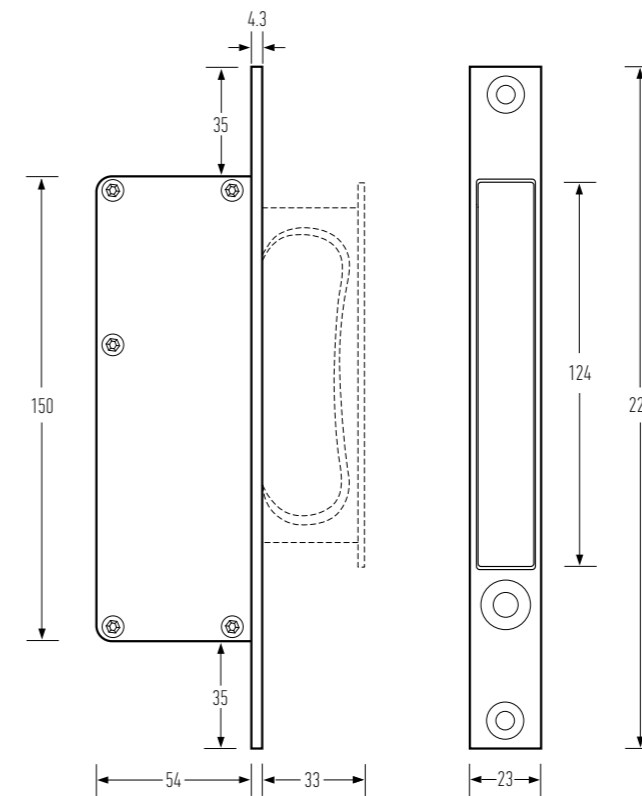
Designed and manufactured in New Zealand

MODEL	DESCRIPTION	FINISH
HB 680	Button-Activated Edge Pull, 20mm x 170mm	All Finishes
HB 685	Button-Activated Edge Pull Large, 24mm x 220mm	All Finishes

HB 680



HB 685



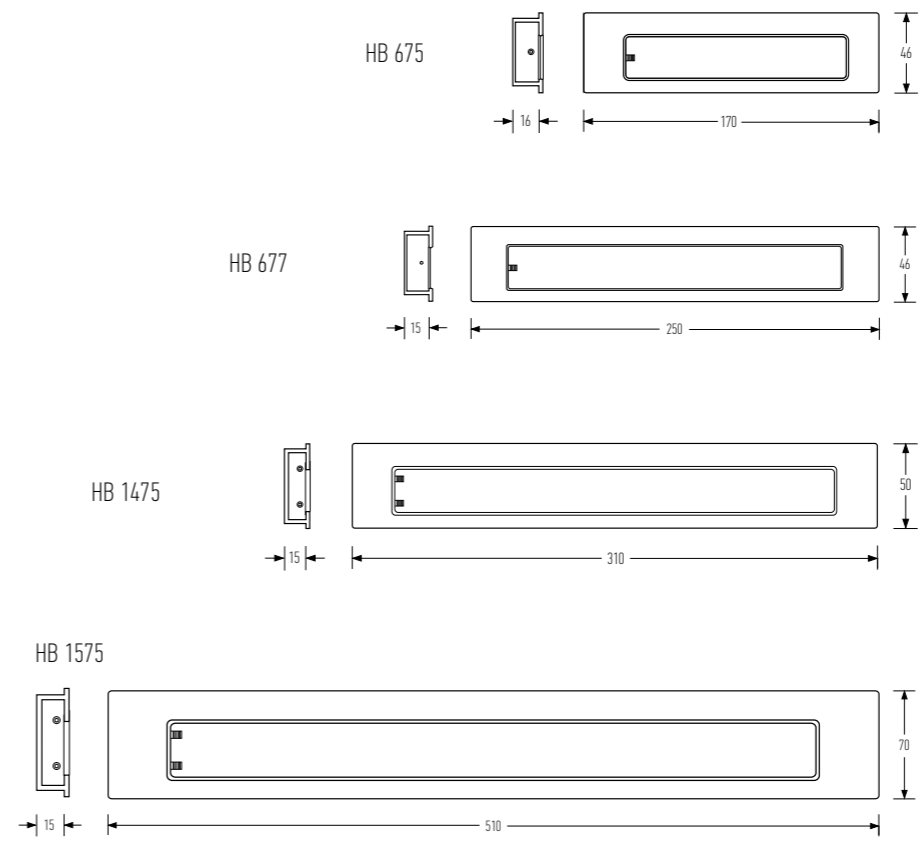
HB 680

HB 685

BI-FOLD/PIVOT FLUSH PULLS

MODEL	DESCRIPTION	FINISH
HB 675	Bi-fold & Pivot Door Pull with additional finger grip, 46mm x 170mm, comes as a handed flush pull for left and right hand	All Finishes
HB 677	Bi-fold & Pivot Door Pull with additional finger grip, 46mm x 250mm, comes as a handed Flush Pull for left and right hand	All Finishes
HB 604	Timber Fixing Kit for Flush Pulls, 105mm - 250mm	NA
HB 1475	Large Bi-fold & Pivot Flush Pull in solid brass, 50mm x 310mm	All Finishes
HB 1410	Timber Fixing Kit for Flush Pulls, 310mm	NA
HB 1575	Extra Large Bi-fold & Pivot Flush Pull in solid brass, 50mm x 510mm	All Finishes
HB 1510	Timber Fixing Kit for Flush Pulls, 510mm	NA

■ All Flush Pulls require the appropriate Timber Fixing Kits for installation in timber doors (HB 604, HB 1410, or HB 1510).



HB 675

HB 677



HB 1475

HB 1575



Left hand shown



Right hand shown



EXTRA LONG BI-FOLD/PIVOT FLUSH PULLS

Designed and manufactured in New Zealand

MODEL	DESCRIPTION	FINISH
HB 3370	Extra Long Bi-fold & Pivot Door Pull, no Key Hole, with additional finger grip, 46mm x 350mm, comes as a handed flush pull for left and right hand	All Finishes
HB 3375	Extra Long Bi-fold & Pivot Door Pull, with Key Hole, and additional finger grip, 46mm x 350mm, comes as a handed Flush Pull for left and right hand	All Finishes
HB 604	Timber Fixing Kit for Flush Pulls, 105mm - 250mm	NA

■ All Flush Pulls require the appropriate Timber Fixing Kits for installation in timber doors (HB 604).

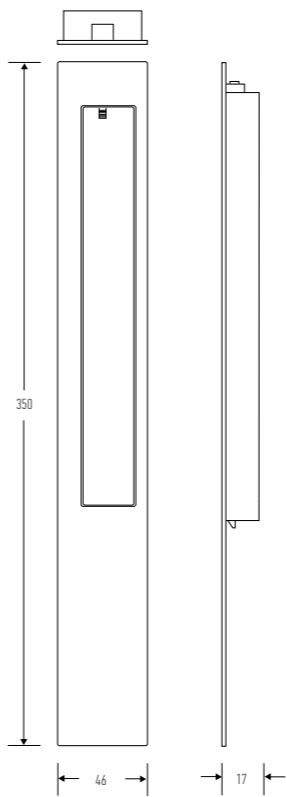


HB 604

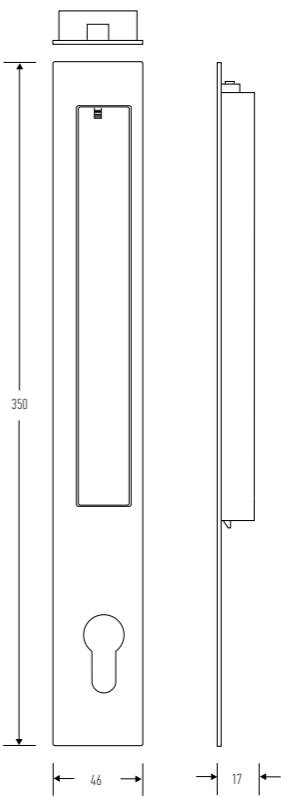


HB 3370

HB 3375



HB 3370

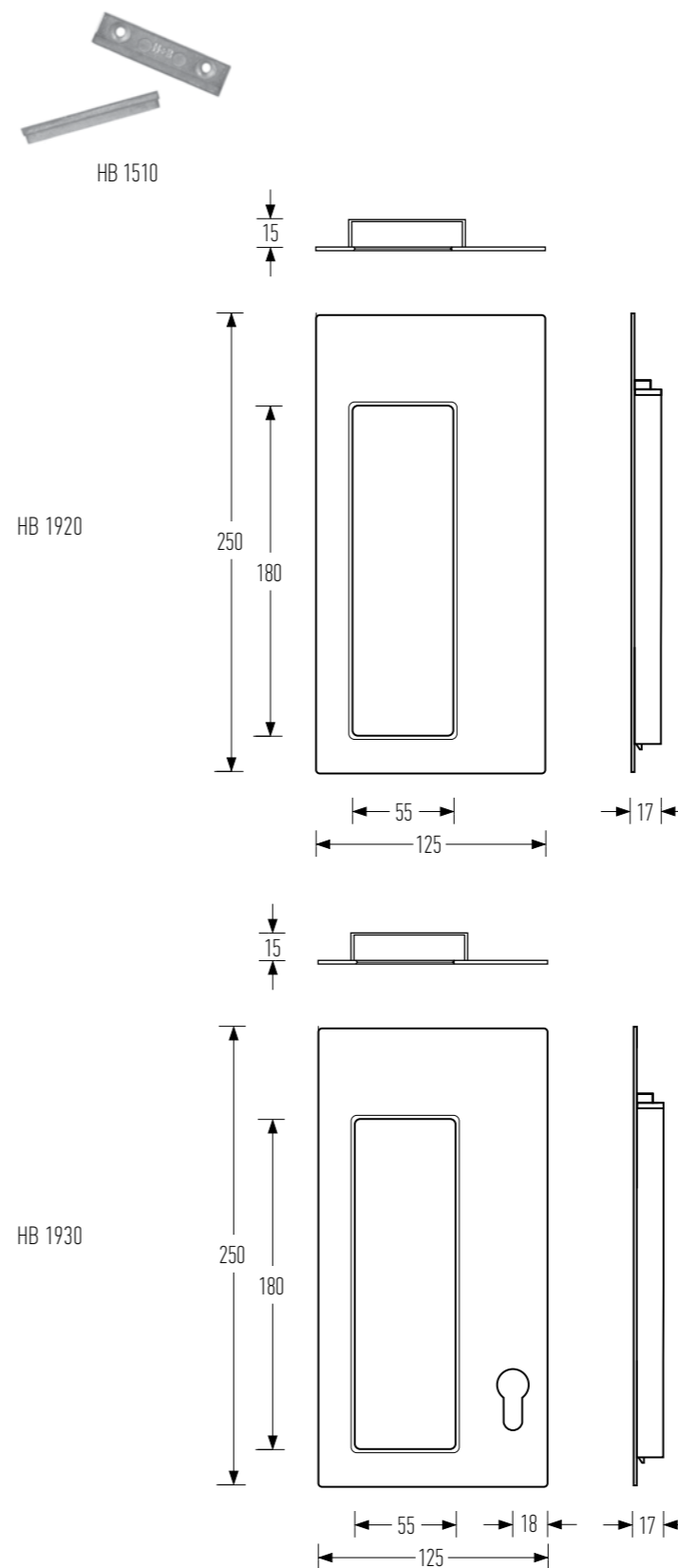


HB 3375

RECTANGULAR BI-FOLD/PIVOT DOOR PULLS

MODEL	DESCRIPTION	FINISH
HB 1920	Rectangular Bi-Fold & Pivot Door Pull, no Key Hole, 125mm x 250mm, comes as a handed flush pull for left and right hand	All Finishes
HB 1930	Rectangular Bi-Fold & Pivot Door Pull, with Key Hole, 125mm x 250mm, comes as a handed flush pull for left and right hand	All Finishes

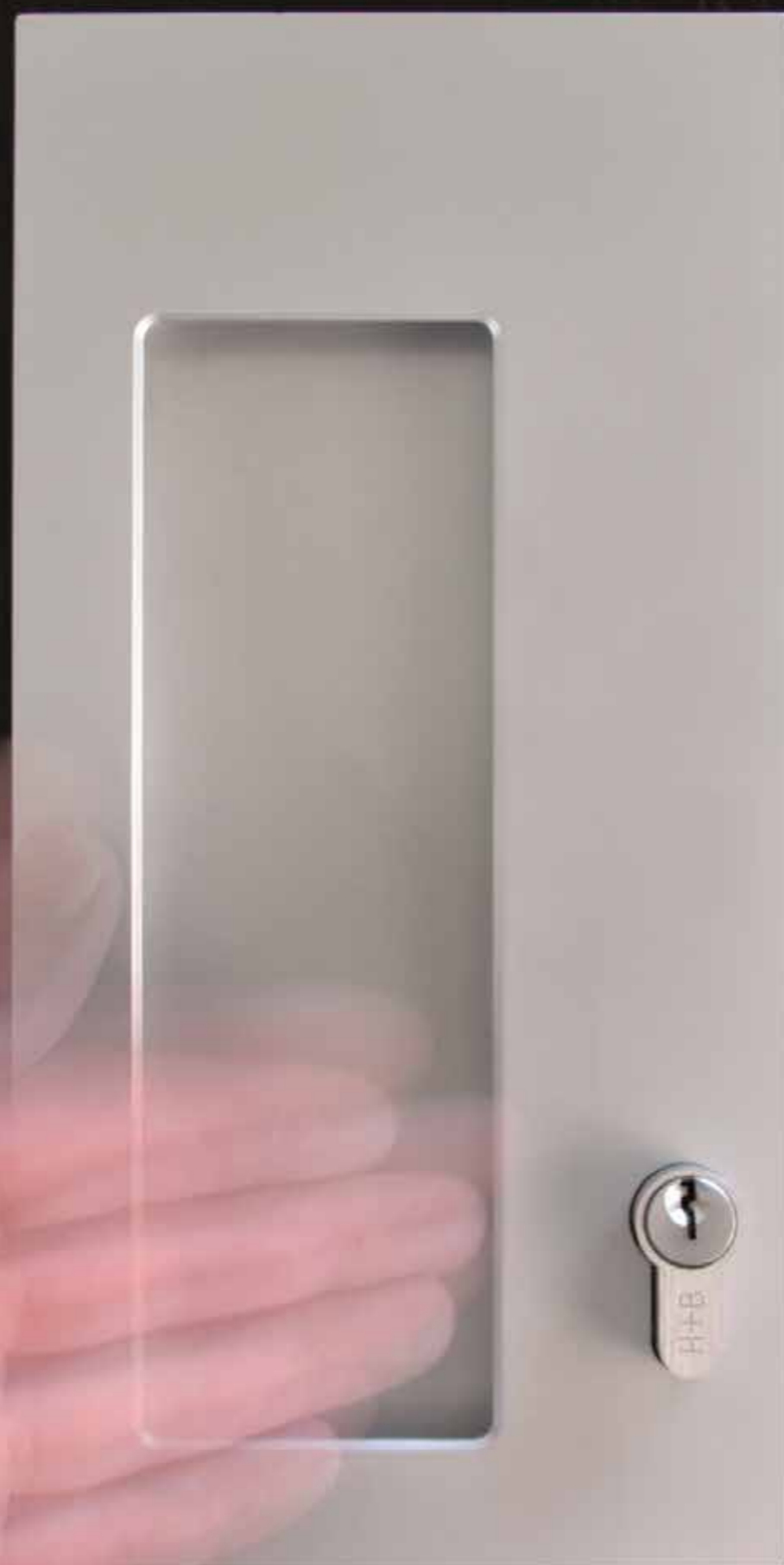
- All Flush Pulls require the appropriate Timber Fixing Kits for installation in timber doors (HB 604, HB 1410, or HB 1510).
- Works well with the HB 2010 and HB 2012 sliding and pivot deadbolts.



HB 1920



HB 1930



Left hand shown

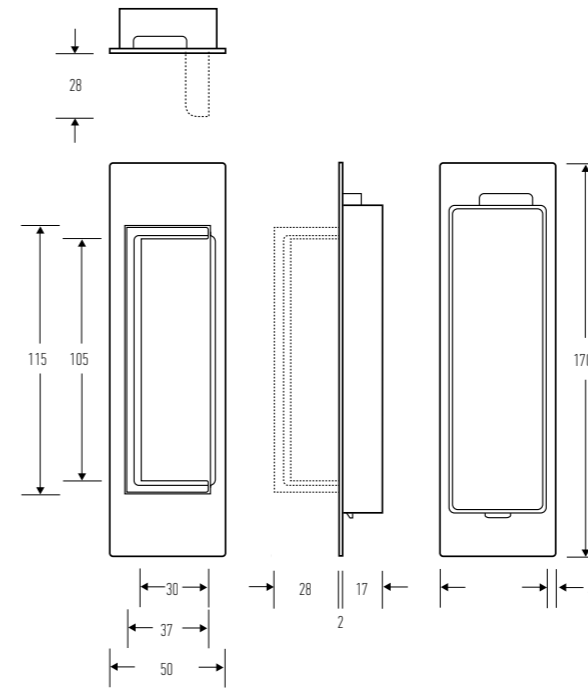
FLUSH D PULLS

MODEL	DESCRIPTION	FINISH
HB 678	Flush D Pull, 50mm x 170mm with integrated pivoting D handle	BN, BSC, DB, KC, PB, PN, SC
HB 679	Flush D Pull, 50mm x 250mm with integrated pivoting D handle	BN, BSC, DB, KC, PB, PN, SC

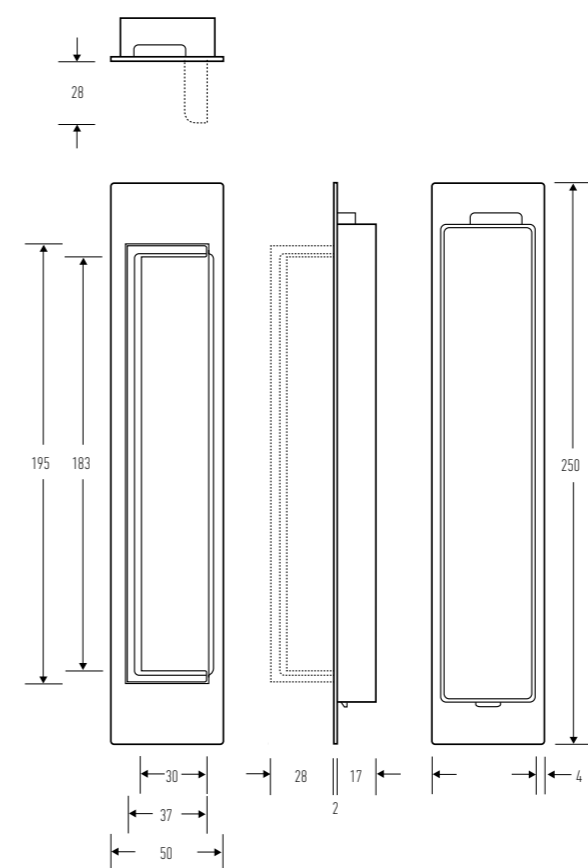
- All Flush D Pulls require the HB 604 Timber Fixing Kit for installation in timber doors.
- Due to handle configuration Flush D Pulls are unable to powder coated.



HB 604



HB 678



HB 679



HB 678
shown with D handle in various positions

BOLTS & LOCKS

HB 120/ HB 125 SURFACE BOLTS

Surface screw mount
Size 300mm & 600mm
Additional strikes & keepers available separately



HB 120

HB 125

HB 1810, HB 1820 & HB 1830 FLUSH BOLTS

Mortice flush mount
Size 220mm & 265mm long
Flat & round back configurations
Extension available for HB 1820 &
HB 1830 only



HB 1810

HB 1820

HB 1830

HB 2010 SLIDING MORTICE LOCK 30mm BACKSET

Sliding lock bolt
Size 130mm faceplate
30mm backset
Ships with strike plate, screws etc



HB 2010

HB 2015 DEADBOLT 30mm BACKSET

Rectangular lock bolt
Size 130mm faceplate
30mm backset
Ships with strike plate, screws etc



HB 2015

HB 2020 SLIDING MORTICE LOCK 55mm BACKSET

Sliding lock bolt
Size 130mm faceplate
55mm backset
Ships with strike plate, screws etc



HB 2020

HB 2025 DEAD BOLT 55mm BACKSET

Rectangular lock bolt
Size 130mm faceplate
55mm backset
Ships with strike plate, screws etc



HB 2025

SURFACE BOLTS

HB 120 : Surface Mounted Bolt in solid brass 300mm
HB 125 : Surface Mounted Bolt in solid brass 600mm
HB 127 : Full Keeper Plate in solid brass for Surface Mounted Bolts
HB 128 : L Strike for Surface Mounted Bolts
HB 129 : Flat Strike for Surface Mounted Bolts

FLUSH BOLTS

HB 1810 : Flush Bolt in solid brass, with flat throw ideal for aluminium joinery, 38mm x 220mm
HB 1820 : Flush Bolt in solid brass, with round throw 38mm x 220mm (can be used with the HB 1825 1m Extension Kit)
HB 1825 : Flush Bolt Extension Kit for HB 1820, for when the bolt is required away from the door edge (ie over height doors)
HB 1830 : Locking Flush Bolt in solid brass, with round throw 38mm x 265mm (can be used with the HB 1825 1m Extension Kit)
HB 1812 : Timber Fixing Kit for HB 1810 and HB 1820 bolts

SLIDING MORTICE LOCK 30mm BACKSET

HB 2010 : PZW SLIDING BOLT

DEAD BOLT 30mm BACKSET

HB 2015 : PZW DEAD BOLT

SLIDING MORTICE LOCK 55mm BACKSET

HB 2020 : PZW SLIDING BOLT

DEAD BOLT 55mm BACKSET

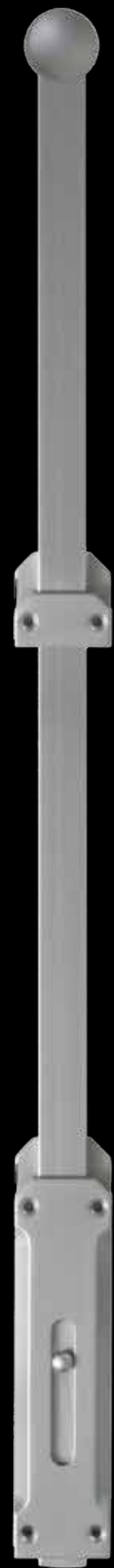
HB 2025 : PZW DEAD BOLT

Our range of flush bolts (including a euro key lock version) has been designed to match the style and dimensions of our flush pulls for a streamlined look on sliding doors, or where a flush bolting option is required. An additional surface mounted style is available in two lengths for or those not needing a flush option. There is also a range of stand-alone mortice locks for sliding, pivot, hinge, or bi-fold doors. Available in two backsets for various stile sizes, with both sliding 'parrot beak' or standard bolts, these mortices can be used with your own hardware in a wide variety of situations from aluminium sliding doors, and timber pivots, to door-to-wall locking on large surface sliding barn doors.

SURFACE BOLTS

MODEL	DESCRIPTION	FINISH
HB 120	Surface Mounted Bolt 300mm	BN, BSC, DB, KC, PB, PN, SC
HB 125	Surface Mounted Bolt 600mm	BN, BSC, DB, KC, PB, PN, SC
HB 127	Full Keeper Plate for Surface Mounted Bolts	BN, BSC, DB, KC, PB, PN, SC
HB 128	L Strike for Surface Mounted Bolts	BN, BSC, DB, KC, PB, PN, SC
HB 129	Flat Strike for Surface Mounted Bolts	BN, BSC, DB, KC, PB, PN, SC

■ Various strike and keeper options available as below.



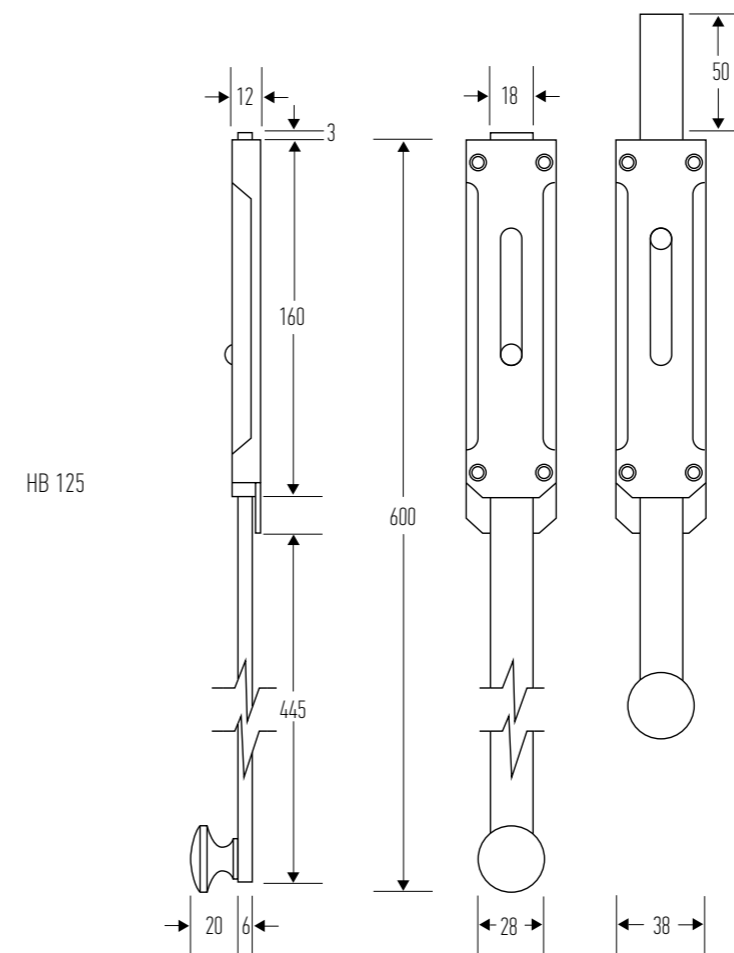
HB 125
SC : Satin Chrome



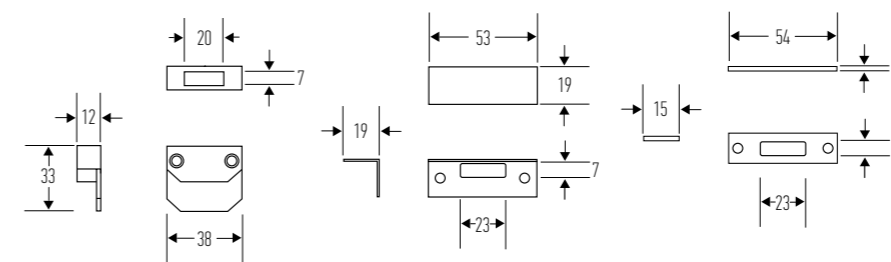
HB 120
SC : Satin Chrome



HB 120
DB : Bronze



HB 125



HB 127

HB 128

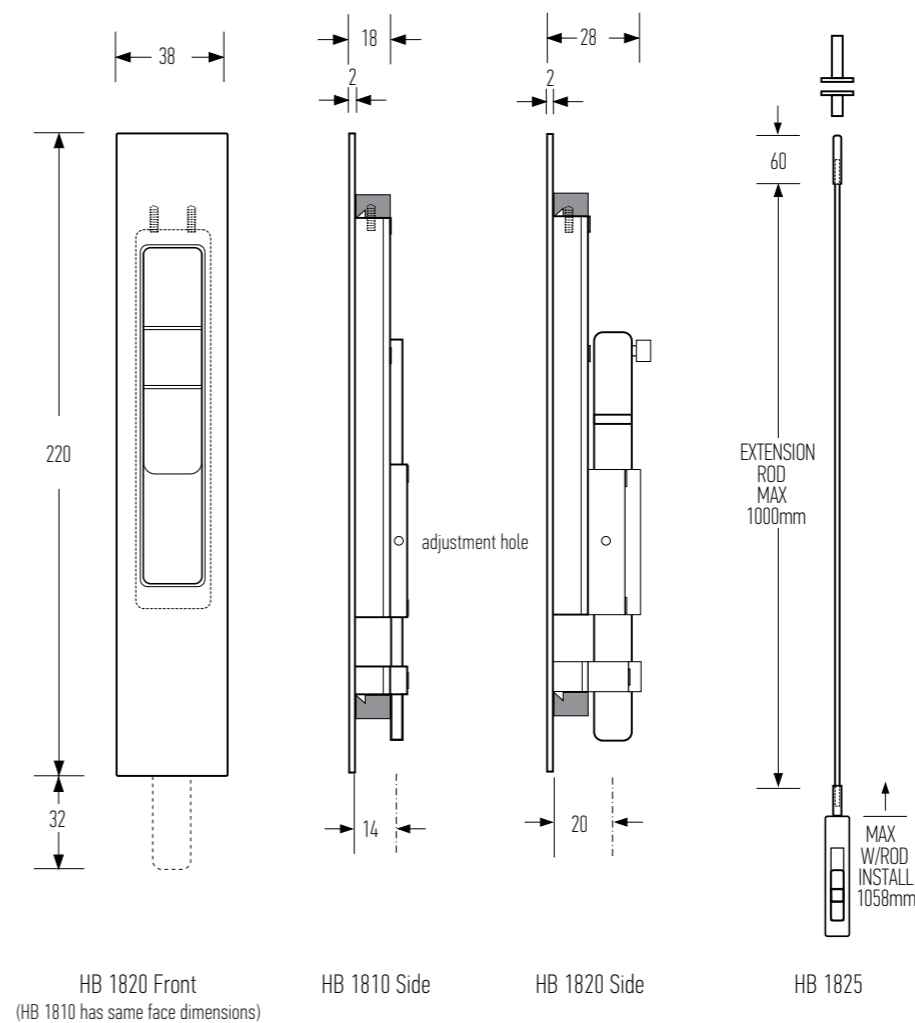
HB 129



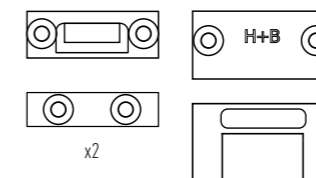
FLUSH BOLTS

MODEL	DESCRIPTION	FINISH
HB 1810	Flush Bolt in solid brass, with flat throw ideal for aluminium joinery, 38mm x 220mm	All Finishes
HB 1820	Flush Bolt in solid brass, with round throw 38mm x 220mm (can be used with the HB 1825 1m Extension Kit)	All Finishes
HB 1825	Flush Bolt Extension Kit for HB 1820, for when the bolt is required away from the door edge (ie over height doors)	All Finishes
HB 1827	Dust Socket only (from HB 1825 Extension Kit)	All Finishes
HB 1812	Timber Fixing Kit for HB 1820 & HB 1830	NA
HB 1822	Timber Fixing Kit for HB 1810 only	NA

- An adjustment hole is present on the back of both bolts to allow fine setting of slide strength.
- PLEASE NOTE A KEY LOCKING VERSION OF THE HB 1820 (WITH LONGER FACEPLATE) WILL BE AVAILABLE FROM LATE 2017.



HB 1850 : Timber Fixing Kit
Three mounting blocks provided for various fixing details.
Please see data sheet for further information.



HB 1810



HB 1820

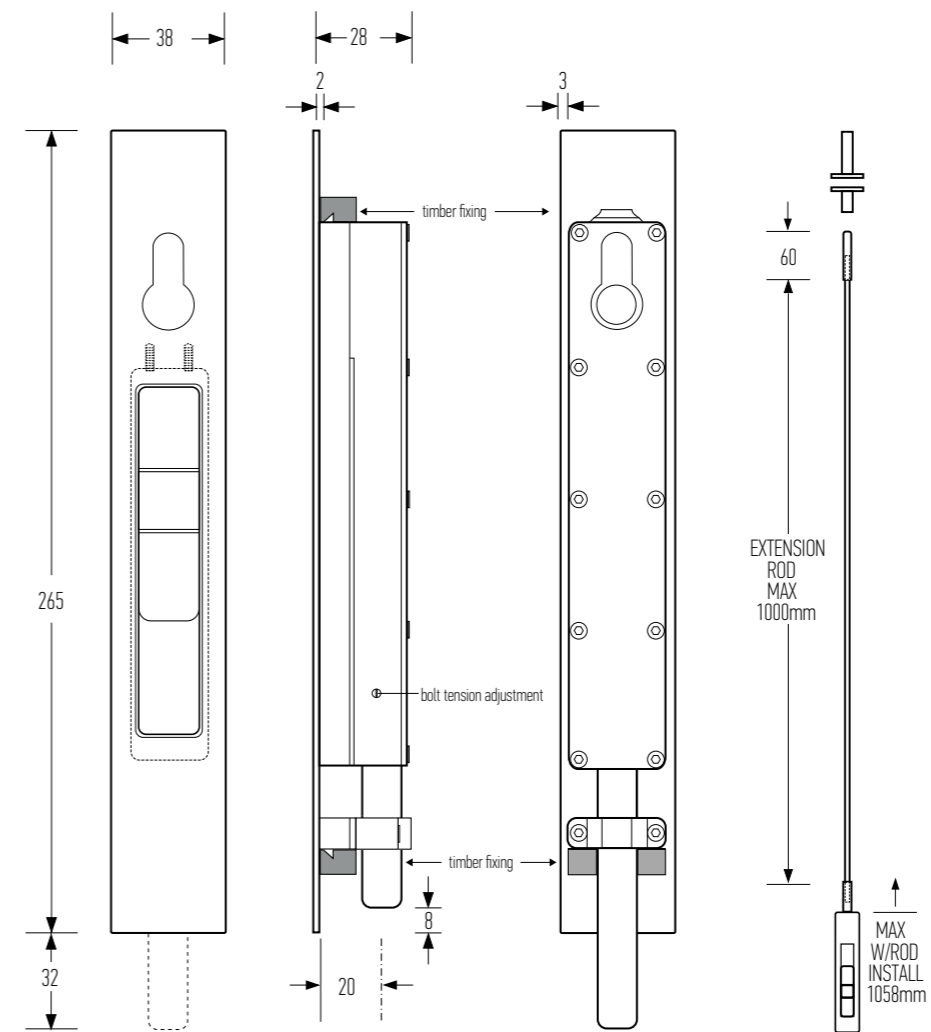


HB 1825

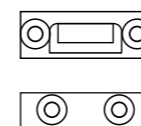
LOCKING FLUSH BOLT ROUND THROW

- The HB 1830 Locking Flush Bolt is a heavy duty bolt weighing 1.2kgs. It is intended for solid core doors or doors with a robust lock block installed, top and/or bottom.
- Please note that when used in the top of the door with bolt throwing upwards, the cylinder will appear 'upside down' as per drawing below.

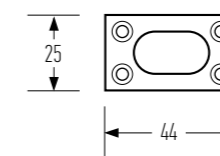
MODEL	DESCRIPTION	FINISH
HB 1830	Locking Flush Bolt in solid brass, with ROUND throw ideal for large exterior doors, 38mm x 265mm	All Finishes
HB 1825	Flush Bolt Extension Kit for HB 1820, for when the bolt is required away from the door edge (ie over height doors)	All Finishes
HB 1827	Dust Socket only (from HB 1825 Extension Kit)	All Finishes
HB 1812	Timber Fixing Kit for HB 1820 & HB 1830	NA



HB 1812 : Timber Fixing Kit
2 blocks per kit



STANDARD STRIKE



HB 1825

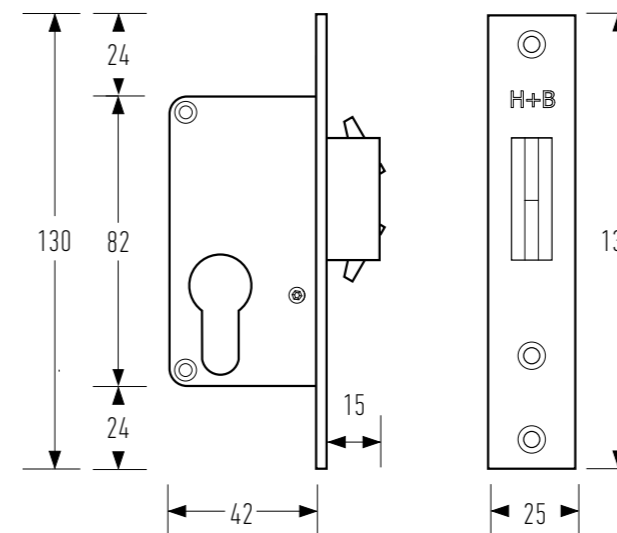
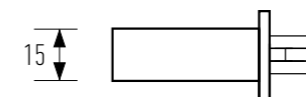
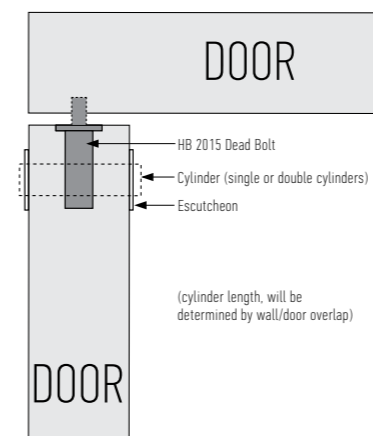
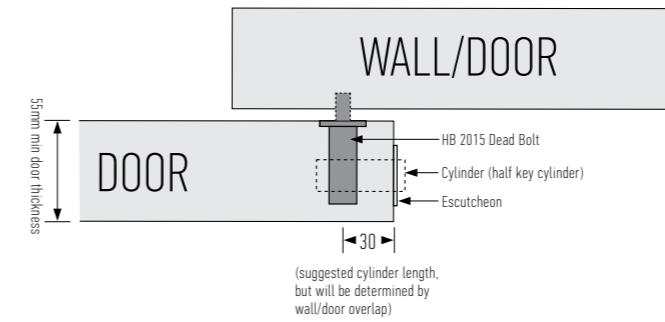
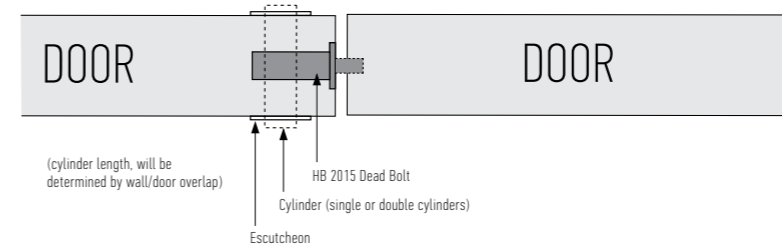




HB 2010 SLIDING MORTICE LOCK 30mm BACKSET

Designed and manufactured in New Zealand

MODEL	DESCRIPTION	FINISH
HB 2010	PZW Sliding Mortice Lock 30mm backset	All Finishes



HB 2010

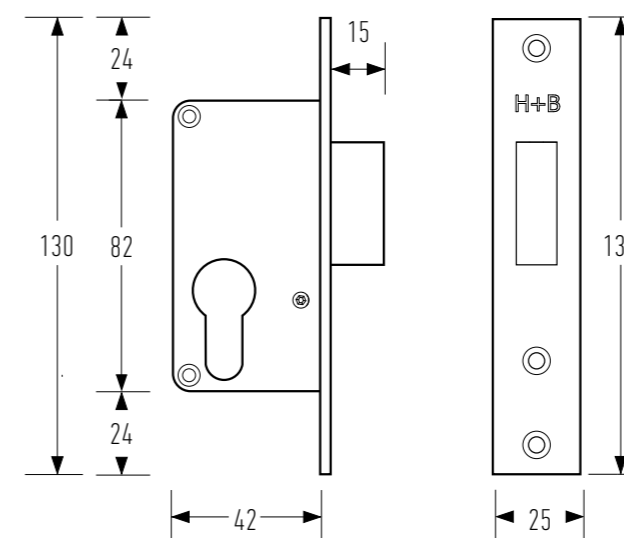
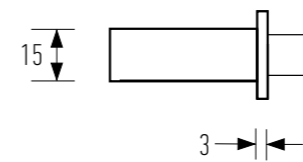
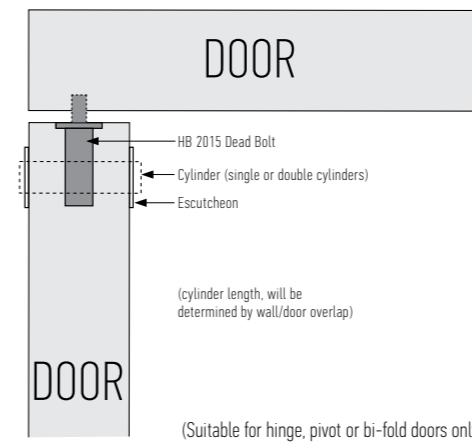
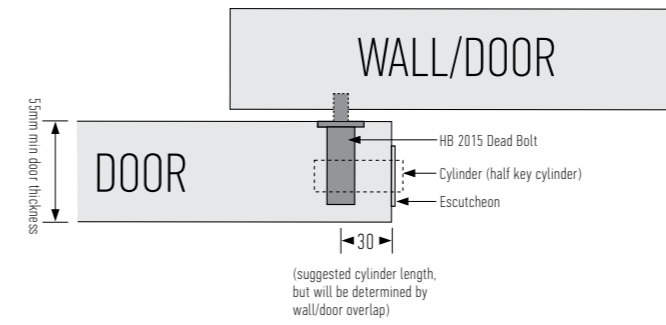




HB 2015 DEAD BOLT 30mm BACKSET

Designed and manufactured in New Zealand

MODEL	DESCRIPTION	FINISH
HB 2015	PZW Dead Bolt 30mm backset	All Finishes



HB 2015

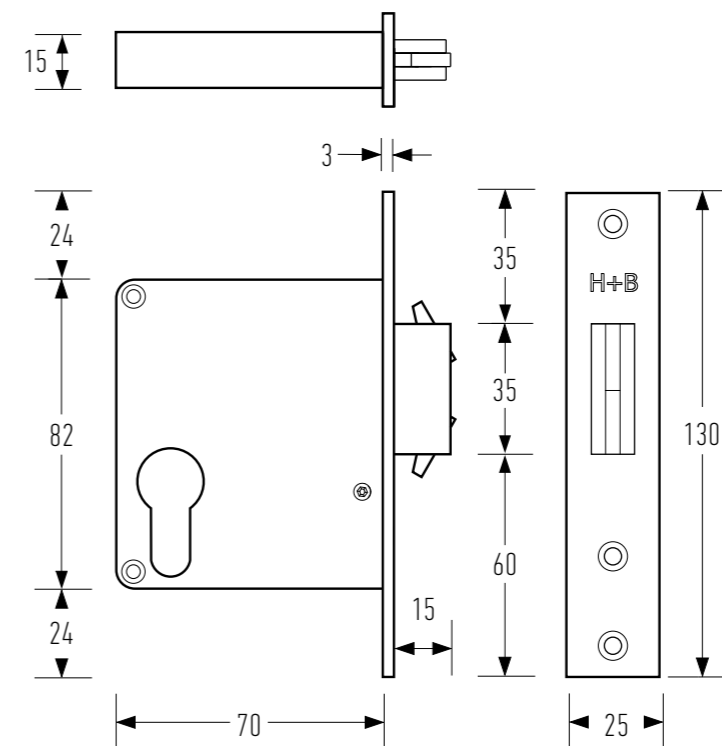
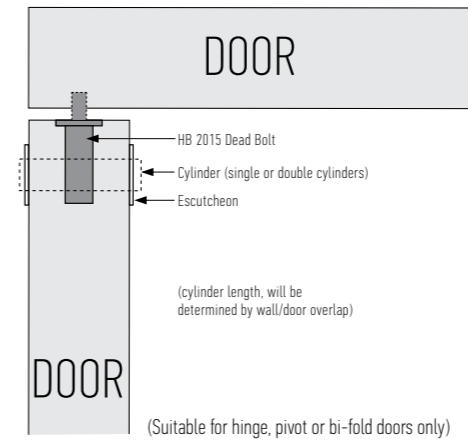
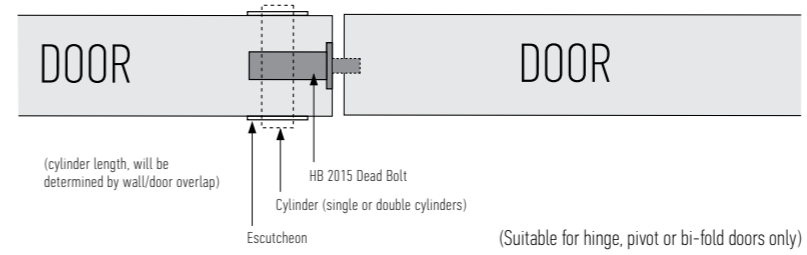




HB 2020 SLIDING MORTICE LOCK 55mm BACKSET

Designed and manufactured in New Zealand

MODEL	DESCRIPTION	FINISH
HB 2020	PZW Sliding Mortice Lock 55mm backset	All Finishes



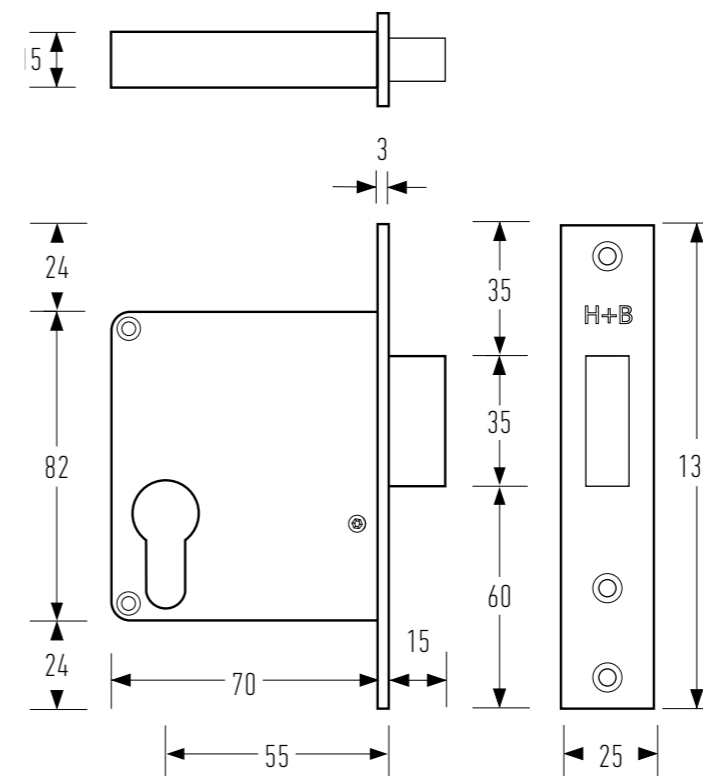
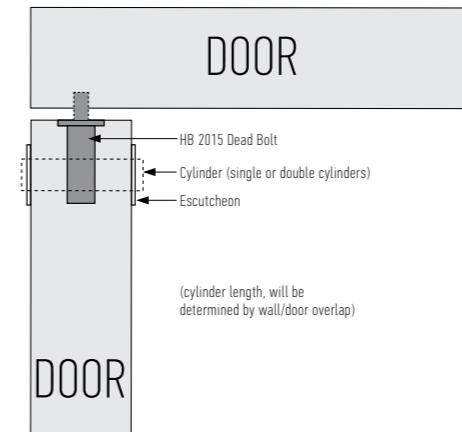
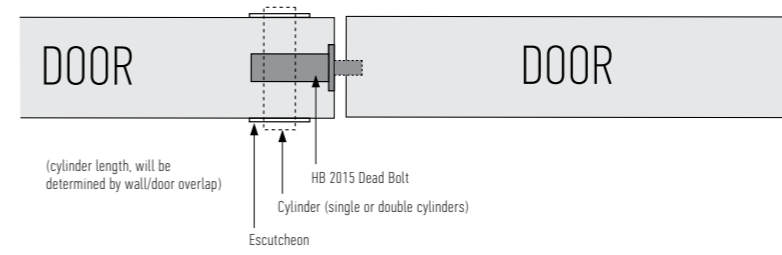
HB 2020



HB 2025 DEAD BOLT 55mm BACKSET

Designed and manufactured in New Zealand

MODEL	DESCRIPTION	FINISH
HB 2025	HB 2015 PZW Dead Bolt 55mm backset	All Finishes



HB 2025

D PULL HANDLES

300mm, 600mm & 1200mm long

16mm & 19mm Rod

Various finishes & fixings



HB 2230
300mm

HB 2240
600mm

HB 2250
1200mm

HB 2260



HB 2200 SERIES D PULL HANDLES SOLID BRASS

HB 2230 : D Pull 300mm CtC, 16mm Rod

HB 2235 : D Pull 300mm CtC, 19mm Rod

HB 2237 : Offset D Pull 300mm CtC, 19mm Rod (available mid 2019)

HB 2240 : D Pull 600mm CtC, 19mm Rod

HB 2245 : D Pull 600mm CtC, 16mm Rod

HB 2247 : Offset D Pull 600mm CtC, 19mm Rod (available mid 2019)

HB 2250 : D Pull 1200mm CtC, 19mm Rod

HB 2260 : Knob, Single Side Knob for 19mm Rod

HB 2200 SERIES FIXING KITS SOLID BRASS

HB 2220 16mm BtB : Back to Back Kit, HB 2200 Series 16mm Rod

HB 2220 19mm BtB : Back to Back Kit, HB 2200 Series 19mm Rod

HB 2220 16mm Face : Face Fix Kit, HB 2200 Series 16mm Rod

HB 2220 19mm Face : Face Fix Kit, HB 2200 Series 19mm Rod

HB 2220 16mm Glass : Glass Fix Kit, HB 2200 Series 16mm Rod

HB 2220 19mm Glass : Glass Fix Kit, HB 2200 Series 19mm Rod

HB 2220 16mm GBtB : Glass Back to Back Kit, HB 2200 Series 16mm Rod

HB 2220 19mm GBtB : Glass Back to Back Kit, HB 2200 Series 19mm Rod

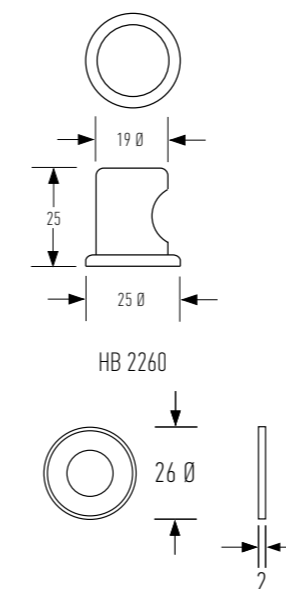
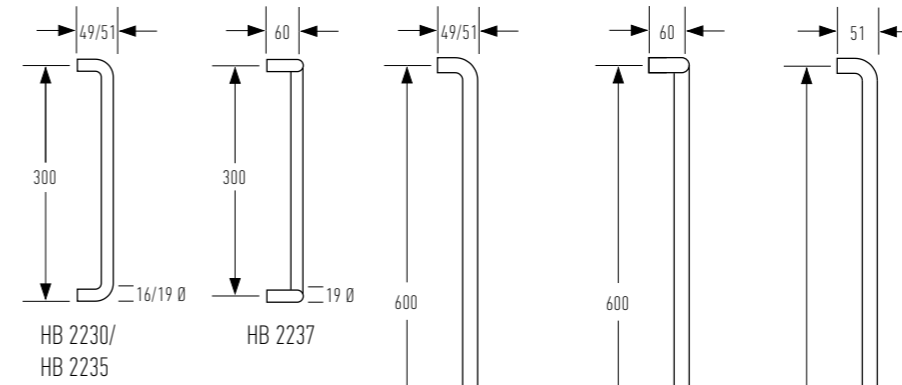
HB 2220 19mm TF : Through Fix Kit, HB 2200 Series 19mm Rod

PULL HANDLES

Pull Handles come in a wide range of sizes, styles and finishes to suit your aesthetic, and most can be mounted one side only, or back to back. The exclusive FSB, and Turnstyle ranges provide a comprehensive selection in a number of materials including marine grade stainless steel, brass, leather, and solid bronze. The Halliday + Baillie solid brass D Pull Series is an elegant addition to our imported ranges and are available in two rod diameters, three lengths, and four finishes to ensure a fit of every project.

HB 2200 SERIES D PULL HANDLES SOLID BRASS

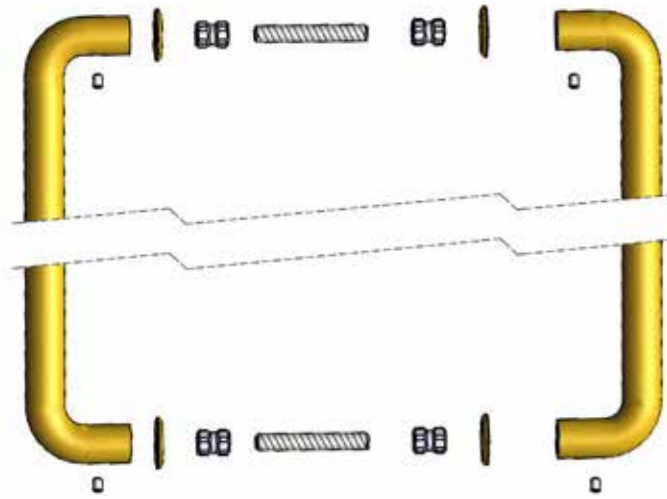
MODEL	DESCRIPTION	FINISH
HB 2230	D Pull 300mm CtC, 16mm Rod	AB, PB, SB, KC
HB 2235	D Pull 300mm CtC, 19mm Rod	AB, PB, SB, KC
HB 2237	Offset D Pull 300mm CtC, 19mm Rod (available mid 2019)	AB, PB, SB, KC
HB 2240	D Pull 600mm CtC, 19mm Rod	AB, PB, SB, KC
HB 2245	D Pull 600mm CtC, 16mm Rod	AB, PB, SB, KC
HB 2247	Offset D Pull 600mm CtC, 19mm Rod (available mid 2019)	AB, PB, SB, KC
HB 2250	D Pull 1200mm CtC, 19mm Rod	AB, PB, SB, KC
HB 2260	Knob, Single Side Knob for 19mm Rod	AB, PB, SB, KC



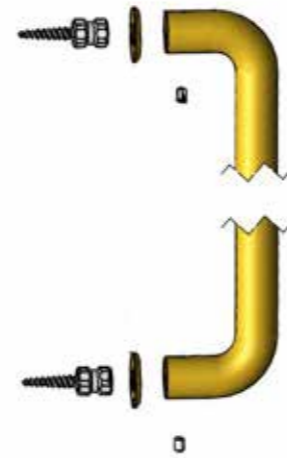
BRASS ROSE
Can be installed with or without brass rose.



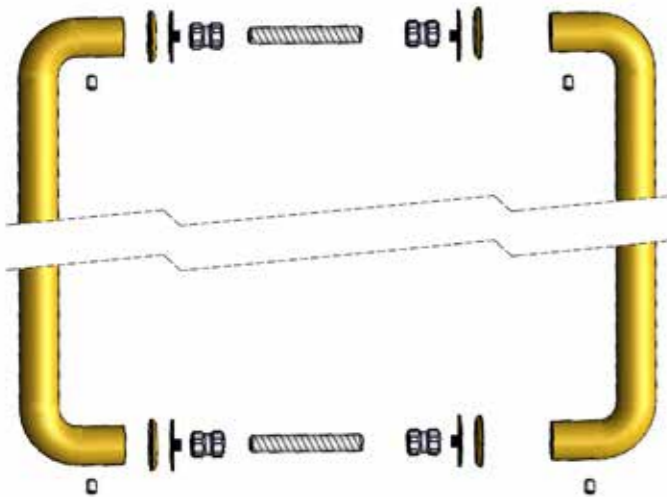
HB 2200 SERIES FIXING KITS SOLID BRASS



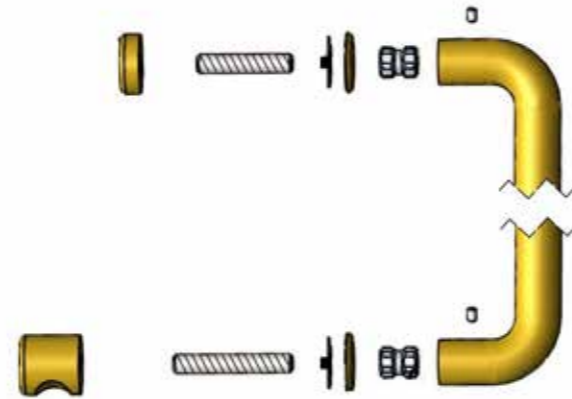
HB 2200 Back to Back Kit



HB 2200 Face Fix Kit



HB 2200 Glass Back to Back Kit



HB 2200 Glass Fix Kit



HB 2200 Aluminium Face Fix Kit

MODEL	DESCRIPTION	FINISH
HB 2220 16mm BtB	Back to Back Kit, HB 2200 Series 16mm Rod	NA
HB 2220 19mm BtB	Back to Back Kit, HB 2200 Series 19mm Rod	NA
HB 2220 16mm Face	Face Fix Kit, HB 2200 Series 16mm Rod	NA
HB 2220 19mm Face	Face Fix Kit, HB 2200 Series 19mm Rod	NA
HB 2220 16mm Glass	Glass Fix Kit, HB 2200 Series 16mm Rod	AB, PB, SB, KC
HB 2220 19mm Glass	Glass Fix Kit, HB 2200 Series 19mm Rod	AB, PB, SB, KC
HB 2220 16mm GBtB	Glass Back to Back Kit, HB 2200 Series 16mm Rod	NA
HB 2220 19mm GBtB	Glass Back to Back Kit, HB 2200 Series 19mm Rod	NA
HB 2220 19mm TF	Through Fix Kit, HB 2200 Series 19mm Rod	AB, PB, SB, KC

STAIR RAIL BRACKETS ALUMINIUM & STAINLESS STEEL

Timber Masonry and Glass Fix
Glass Fixing Sets sold separately



HB 500

HB 502
with HB 500

HB 510



HB 512
with HB 510

HB 520

HB 522
with HB 520



HB 530

HB 533

HB 540



HB 542
with HB 540

HB 550

HB 560



HB 570

STAIR RAIL BRACKETS LIGHTING CAPABLE

Timber Masonry and Glass Fix
Glass Fixing Sets sold separately
Aluminium & Stainless Steel



HB 525

HB 526

HB 527

HB 528

STAIR RAIL BRACKETS SOLID BRONZE

Timber Masonry and Glass Fix
Glass Fixing Sets sold separately



HB 580

HB 590

STAIR RAIL BRACKETS ALUMINIUM & STAINLESS STEEL

HB 500 : "T" Stair Rail Bracket, Aluminium

HB 502 : Glass Fixing Kit for HB 500, Aluminium

HB 510 : "T" Stair Rail Bracket cast in 316 SS (finish is matt not brushed)

HB 512 : Glass Fixing Kit for HB 510, 316 SS

HB 520 : Round Stair Rail Bracket, Aluminium

HB 522 : Glass Fixing Kit for HB 520, Aluminium

HB 530 : Round Stair Rail Bracket milled in 316 SS

HB 533 : Glass Fixing Kit for HB 530, 316 SS

HB 540 : Stair Rail Bracket, Aluminium

HB 542 : Glass Fixing Kit for HB 540 and HB 550, Aluminium

HB 550 : Stair Rail Bracket, Open 'T', Aluminium

HB 560 : Stair Rail Bracket, Round Top, Aluminium

HB 570 : Stair Rail Bracket, Flat Top (for square balustrades), Aluminium

STAIR RAIL BRACKETS LIGHTING CAPABLE

HB 525 : Stair Rail Brackets With Wiring Capability, Aluminium

HB 526 : Stair Rail Brackets With Wiring Capability, 316 SS

HB 527 : Stair Rail Bracket To Match HB 525, Aluminium

HB 528 : Stair Rail Bracket To Match HB 526, 316 SS

STAIR RAIL BRACKETS SOLID BRONZE

HB 580 : Knurled Solid Bronze D Stair Rail Bracket

HB 590 : Plain Solid Bronze D Stair Rail Bracket

STAIR RAIL BRACKETS

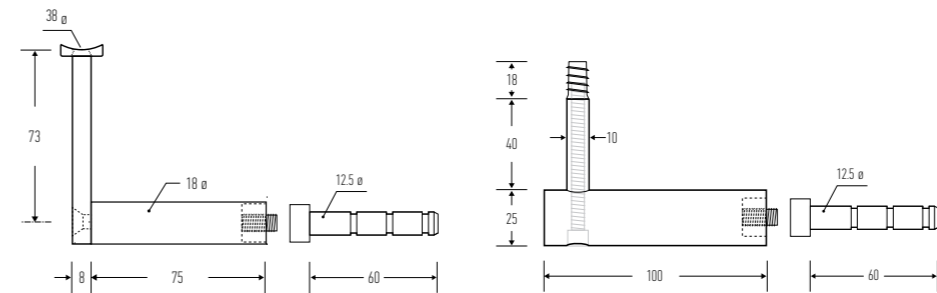


STAIR RAIL BRACKETS ALUMINIUM & STAINLESS STEEL

Designed and manufactured in New Zealand

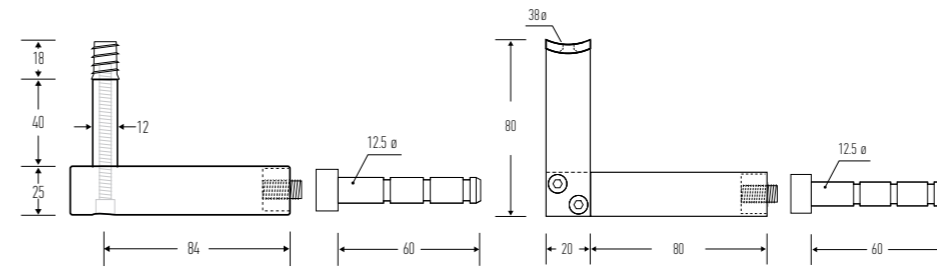
MODEL	DESCRIPTION	FINISH
HB 500	"T" Stair Rail Bracket Aluminium	Satin Chrome, other finishes to order
HB 502	Glass Fixing Kit for HB 500, in Aluminium	Satin Chrome, other finishes to order
HB 510	"T" Stair Rail Bracket cast in Solid 316 Stainless Steel (finish is matt not brushed)	316 Stainless Steel only
HB 512	Glass Fixing Kit for HB 510	316 Stainless Steel only
HB 520	Round Stair Rail Bracket, in Aluminium	Satin Chrome, other finishes to order
HB 522	Glass Fixing Kit for HB 520	Satin Chrome, other finishes to order
HB 530	Round Stair Rail Bracket milled in Solid 316 Stainless Steel	316 Stainless Steel only
HB 533	Glass Fixing Kit for HB 530	316 Stainless Steel only
HB 540	Stair Rail Bracket, in Aluminium	Satin Chrome, other finishes to order
HB 542	Glass Fixing Kit for HB 540 and HB 550	Satin Chrome, other finishes to order
HB 550	Stair Rail Bracket, open "T", in Aluminium	Satin Chrome, other finishes to order
HB 560	Stair Rail Bracket, round top, in Aluminium	Satin Chrome only
HB 570	Stair Rail Bracket, flat top (for square balustrades), in Aluminium	Satin Chrome only

■ Glass Fixing Kits are sold separately and are additional to the stair rail bracket.



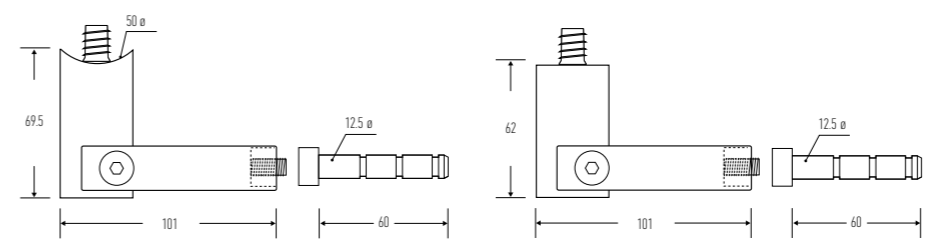
HB 500/ HB 510

HB 520/ HB 530



HB 540

HB 550



HB 560

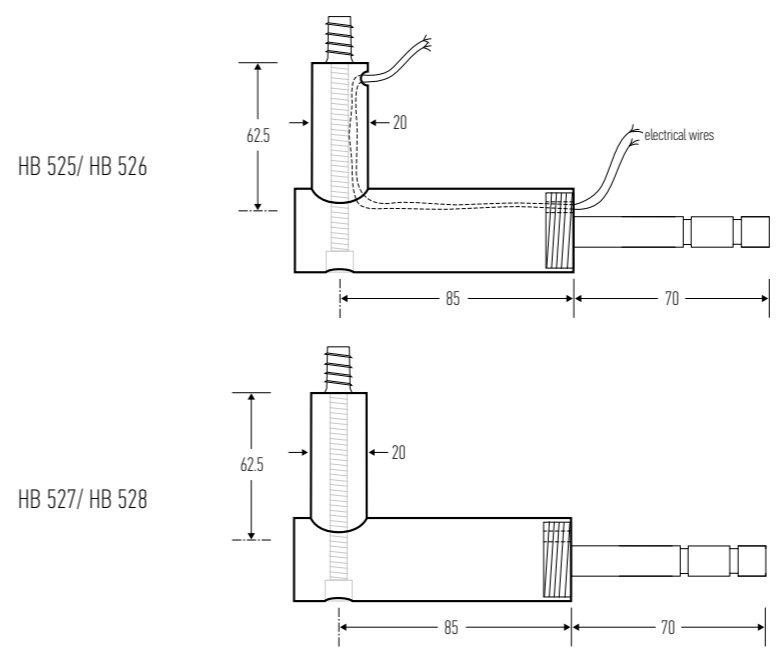
HB 570



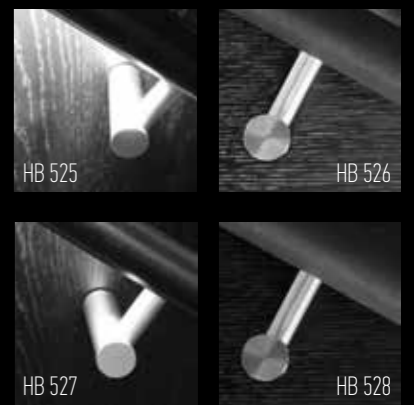


STAIR RAIL BRACKETS LIGHTING CAPABLE

MODEL	DESCRIPTION	FINISH
HB 525	Stair Rail Brackets With Wiring Capability	Satin Chrome, other finishes to order
HB 526	Stair Rail Brackets With Wiring Capability in solid 316 Stainless Steel	Stainless Steel
HB 527	Stair Rail Bracket To Match HB 525	Satin Chrome, other finishes to order
HB 528	Stair Rail Bracket To Match HB 526 in solid 316 Stainless Steel	Stainless Steel

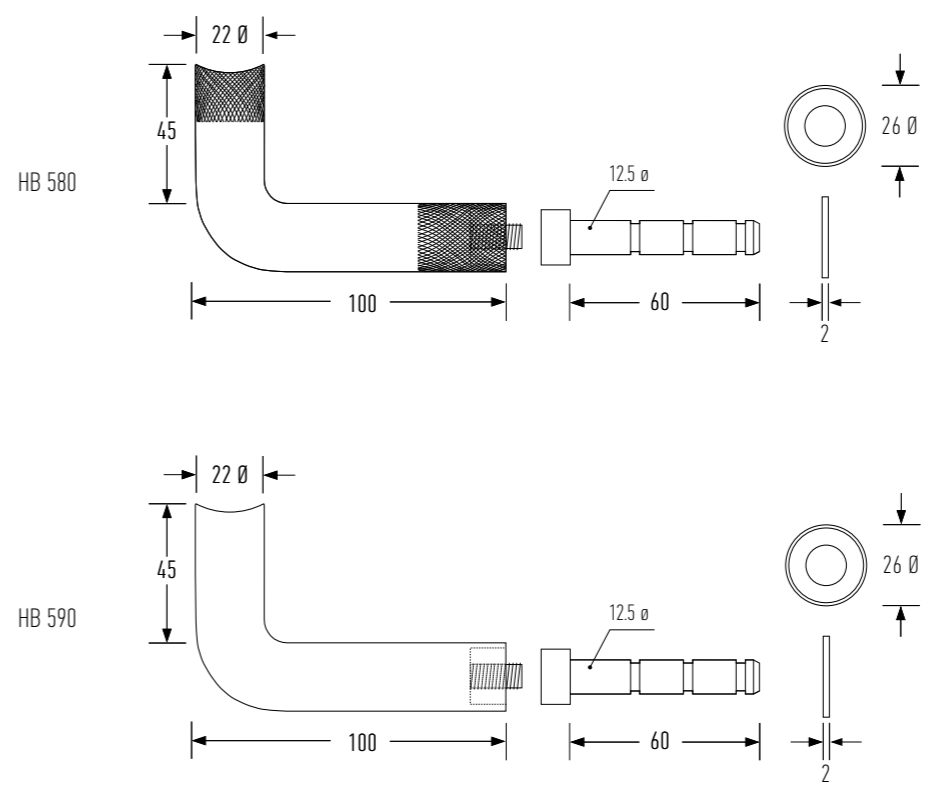


Designed and manufactured in New Zealand

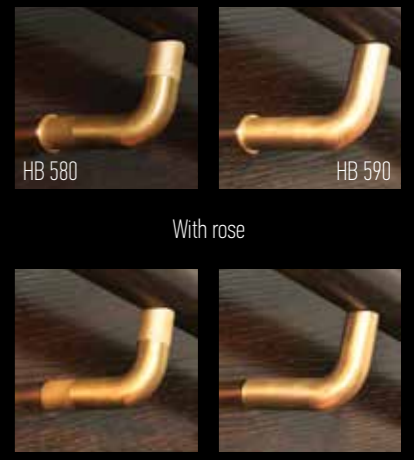


STAIR RAIL BRACKETS SOLID BRONZE

MODEL	DESCRIPTION	FINISH
HB 580	Knurled Solid Bronze D Stair Rail Bracket	RBR (Raw Bronze)
HB 590	Plain Solid Bronze D Stair Rail Bracket	RBR (Raw Bronze)



Can be installed with or without bronze rose.



Detail of knurling on HB 580 Stair Rail Bracket

EXTRUSIONS

CONTINUOUS DRAWER PULLS

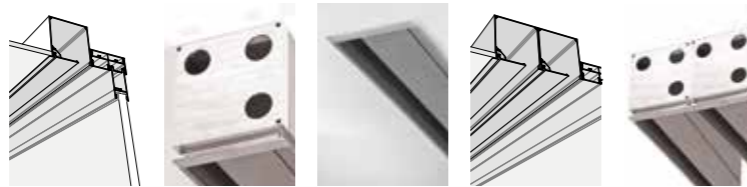
2m & 3m lengths
Raw
For Timber doors & cabinetry



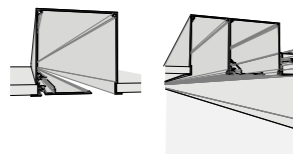
HB 370/ HB 375 HB 380 HB 382 HB 385 HB 387

RECESSED BLIND BOX

3m & 4.2m lengths
For motorized blinds, screens & curtains
Raw



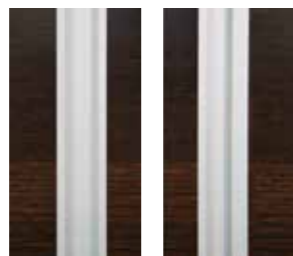
HB 1220 HB 1225 HB 1240 HB 1260 HB 1265



HB 1280 HB 1290

FULL LENGTH EXTRUSION

3m length
Raw
For Timber doors only



HB 1270 HB 1275

CONTINUOUS DRAWER PULLS

HB 370 : 2m or 3m lengths, Aluminium (Raw only)
HB 375 : 2m or 3m lengths, Aluminium (Raw only), bottom-mounted
HB 380 : 2m or 3m lengths, Aluminium (Raw only)
HB 382 : 2m or 3m lengths, Aluminium (Raw only)
HB 385 : 2m or 3m lengths, Aluminium (Raw only)
HB 387 : 2m or 3m lengths, Aluminium (Raw only)

RECESSED BLIND BOX EXTRUSION

HB 1220 : Recessed Single Blind Box Extrusion, Aluminium (Raw only)
HB 1225 : Blind Box Single End Cap Pair (for HB 1220), Aluminium (Raw only)
HB 1240 : Part Blind Box Extrusion, Aluminium (Raw only)
HB 1260 : Recessed Double Outward Hanging Blind Box Extrusion, Aluminium (Raw only)
HB 1265 : Blind Box Double End Cap Pair (for HB 1260), Aluminium (Raw only)
HB 1280 : Double Edged Single Box Extrusion, Aluminium (Raw only)
HB 1290 : Narrow Single Box Extrusion, Aluminium (Raw only)

FULL LENGTH EXTRUSION

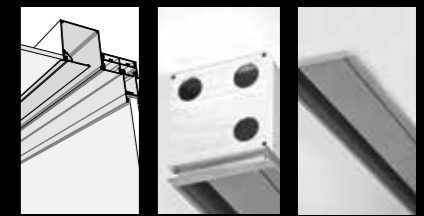
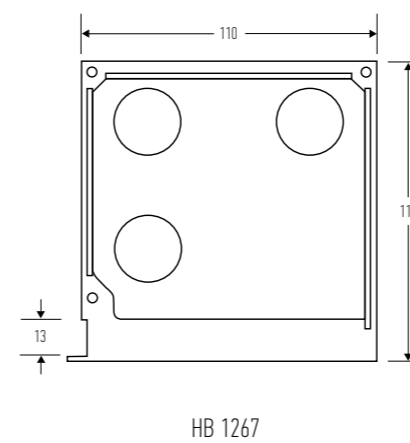
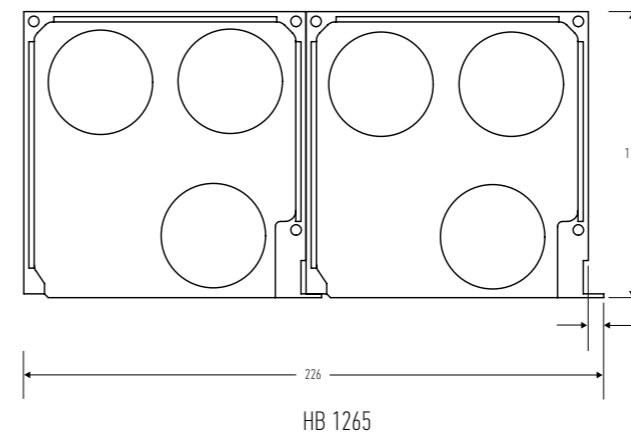
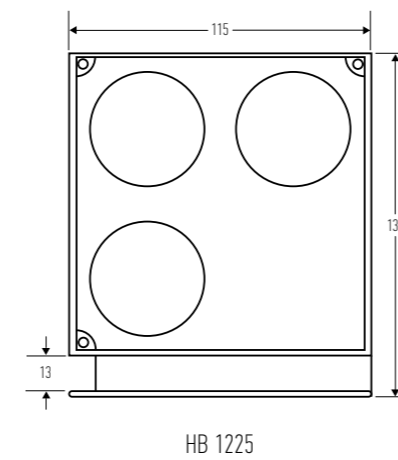
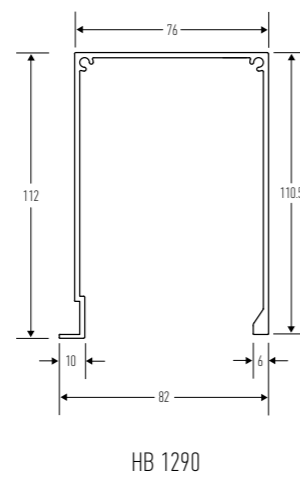
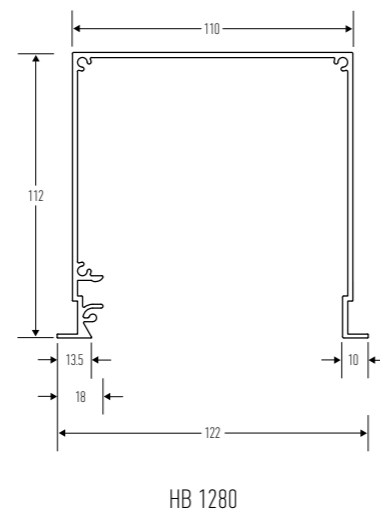
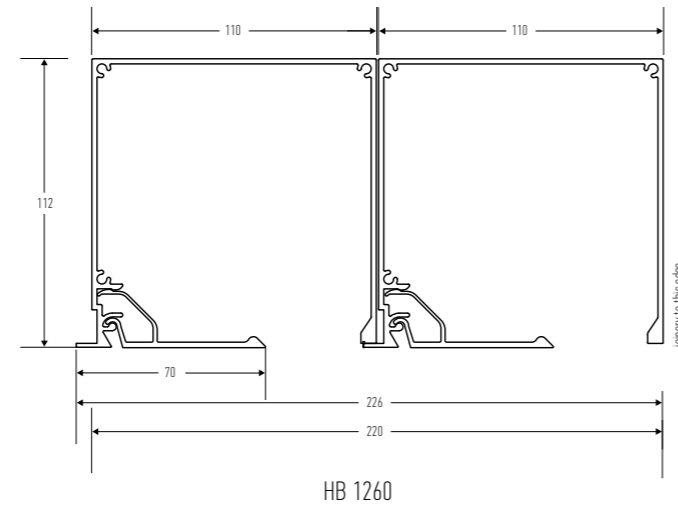
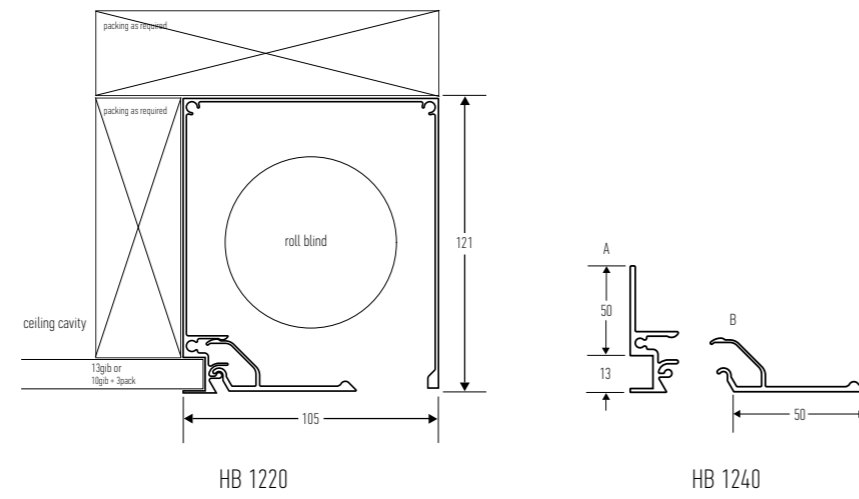
HB 1270 : Full Length 3m Flush Extrusion, 70mm width, can be cut to fit door length, Aluminium (Raw only)
HB 1275 : Full Length 3m Bi-fold & Pivot Extrusion, with additional finger grip, 70mm width, can be cut to fit door length, Aluminium (Raw only)

Blind Boxes in extruded aluminium have been designed by pre-eminent New Zealand architect Daniel Marshall in conjunction Halliday + Baillie by as an effective and unobtrusive option for motorised blinds, screens, and curtains. Now with five variations to suit single and double blinds, curtains, and centre room mounting, these are an easy way to mount window dressings in your project. The range of Continuous Drawer Pulls extrusion provides a clean line in kitchens, wardrobes, or on cupboard doors. These are sold raw in 2m or 3m lengths ready for cutting to size before colouring.

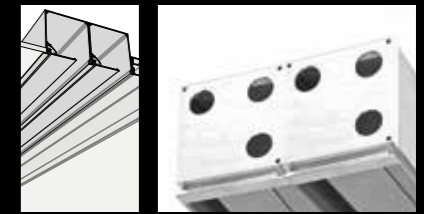
RECESSED BLIND BOX EXTRUSION

MODEL	DESCRIPTION	FINISH
HB 1220	Recessed Single Blind Box Extrusion	Raw
HB 1225	Blind Box Single End Cap Pair (for HB 1220)	Raw
HB 1227	Blind Box Joiner Set	Acrylic
HB 1240	Part Blind Box Extrusion	Raw
HB 1260	Recessed Double Outward Hanging Blind Box Extrusion	Raw
HB 1265	Blind Box Double End Cap Pair (for HB 1260)	Raw
HB 1280	Double Edged Single Box Extrusion	Raw
HB 1290	Narrow Single Box Extrusion	Raw

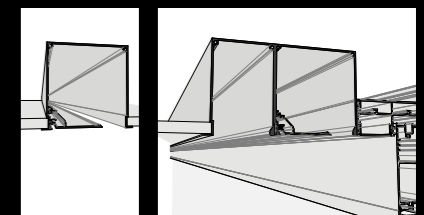
- H+B Recessed Blind Box Extrusion can only be ordered in lengths of 3 meters and cut by client.
- Raw denotes mill run Aluminium. Raw extrusion can be power coat finished or anodised by client.
- HB 1227 Joiners come in packs of 3 and can be used to connect longer runs of blind box end on end, or to secure end cap to box extrusion.
- Please note 2 rubber bungs (as below) are provided with each end cap pair. Rubber bungs are inserted into end caps and a hole is made on site to pass wiring through to eliminate any live wires touching the metal.



HB 1220 HB 1225 HB 1240



HB 1260 HB 1265



HB 1280 HB 1290



Used to separate wiring from touching metal case



Rubber plug for end cap

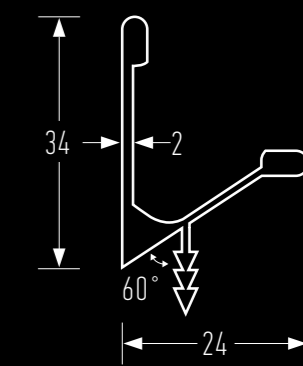


HB 1227

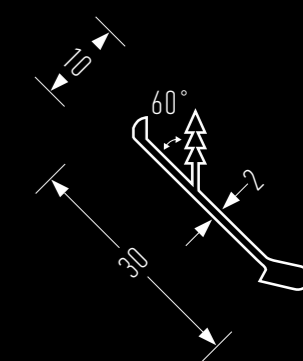
CONTINUOUS DRAWER PULLS

■ H+B Continuous Drawer Pulls can be ordered in lengths of 1, 2 or 3 meters in New Zealand, 3m lengths only in Australia. Please check lengths available in other regions.
 ■ Raw extrusion can be power coat finished or anodised by client.

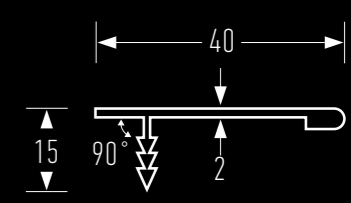
MODEL	DESCRIPTION	FINISH
HB 370	1m, 2m or 3m lengths, Aluminium	Raw
HB 375	1m, 2m or 3m lengths, Aluminium, bottom-mounted	Raw
HB 380	1m, 2m or 3m lengths, Aluminium	Raw
HB 382	1m, 2m or 3m lengths, Aluminium	Raw
HB 385	1m, 2m or 3m lengths, Aluminium	Raw
HB 387	1m, 2m or 3m lengths, Aluminium	Raw



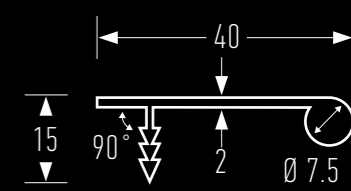
HB 370



HB 375



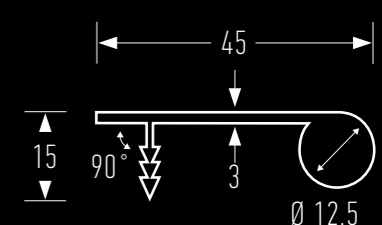
HB 380



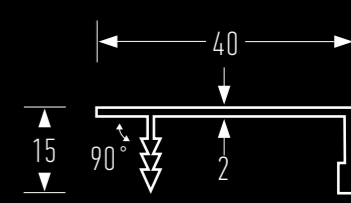
HB 382

FULL LENGTH EXTRUSION

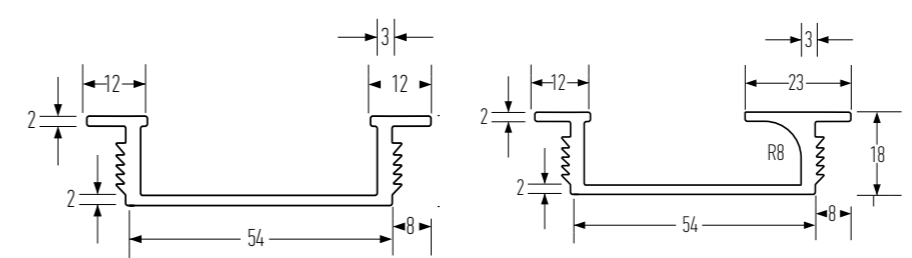
MODEL	DESCRIPTION	FINISH
HB 1270	Full Length 3m Flush Extrusion, 70mm width, can be cut to fit door length	Raw
HB 1275	Full Length 3m Bi-fold & Pivot Extrusion, with additional finger grip, 70mm width, can be cut to fit door length	Raw



HB 385



HB 387



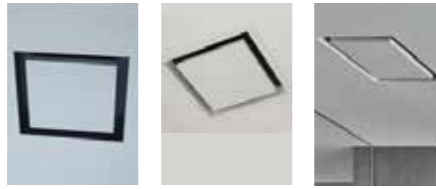
HB 1270

HB 1275



VENTILATION GRILLS

Frameless and Retro fit
Sizes at 250mm x 250mm, 305mm x 305mm
500mm x 160mm



HB 1010/ HB 250

HB 1011

HB 1020

COAT HOOKS

Aluminium and Stainless Steel
Sizes at 40mm, 50mm and 80mm
Concealed wall screw



HB 440, HB 450, HB 460

HB 443, HB 453, HB 463

WINDOW HANDLES

Window handle for both timber and aluminium
Surface screw fixing



HB 400/HB 401

DOOR STOPS

Magnetic floor mount with door mount keeper
Square and round profile
Wall mount in aluminium and stainless steel



HB 710

HB 710-L

HB 720

HB 725

HB 760

HB 765
(shown with HB 760)



HB 735

HB 740

VENTILATION GRILLS

HB 1010 : Frameless Square Grill
HB 1011 : Retro Fit Framed Square Grill
HB 1020 : Frameless Rectangular Grill

COAT HOOKS

HB 440 : Coat Hook – 40mm, Aluminium
HB 443 : Coat Hook – 40mm, 316 SS
HB 450 : Coat Hook – 50mm, Aluminium
HB 453 : Coat Hook – 50mm, 316 SS
HB 460 : Coat Hook – 80mm, Aluminium

WINDOW HANDLES

HB 400 : Window Handle Timber Joinery
HB 401 : Window Handle Aluminium Joinery

DOOR STOPS

HB 710 : Round Magnetic Door Stop, Aluminium
HB 710-L : Round Double Magnetic Door Stop, Aluminium
HB 720 : Square Magnetic Door Stop, Aluminium
HB 725 : Square Rubber Door Stop, Aluminium
HB 735 : Wall Mounted Aluminium Doorstop, Aluminium
HB 740 : Wall Mounted Doorstop, SS
HB 760 : Tall Magnetic Door Stop, Aluminium
HB 765 : Square Packer Block only

GENERAL HARDWARE

We offer a wide variety of accessories designed and made in New Zealand, plus a selected range of European designs. Including window handles, standard and magnetic doorstops, hold backs, coat hooks, cable ports, and an extensive range of European made cabinet handles. Cabinet handles are not available in this PDF, but are listed on our website at www.hallidaybaillie.com.

new image from tiff

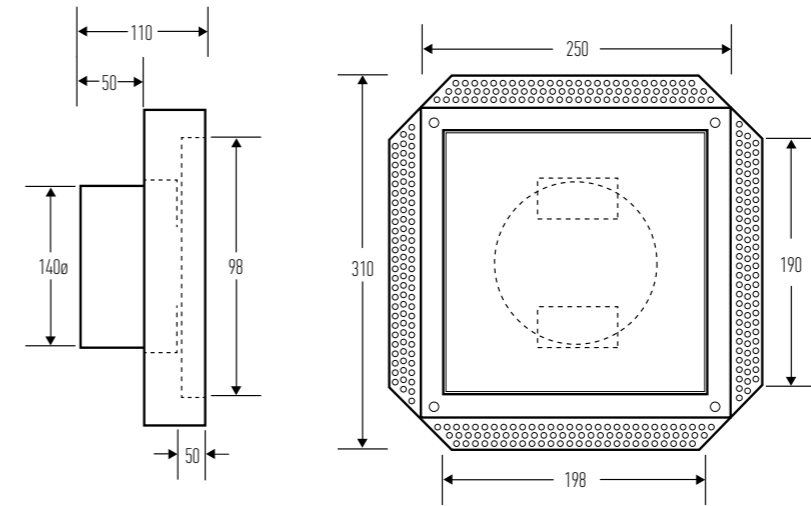
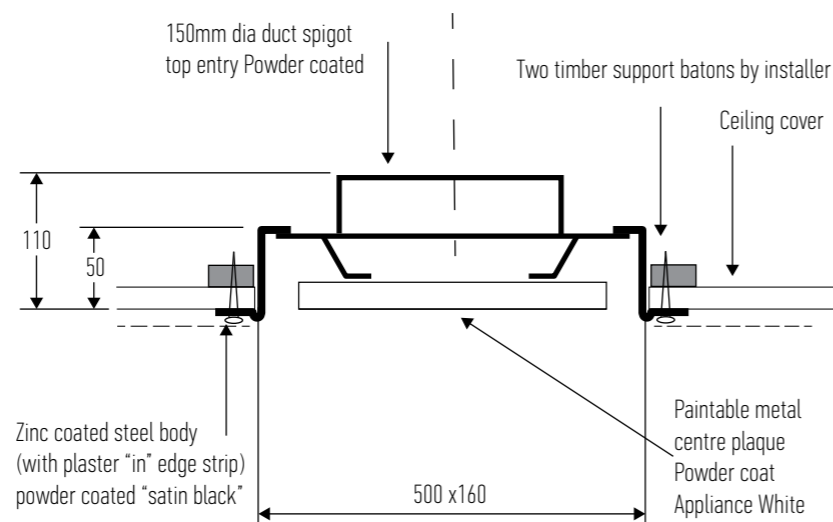
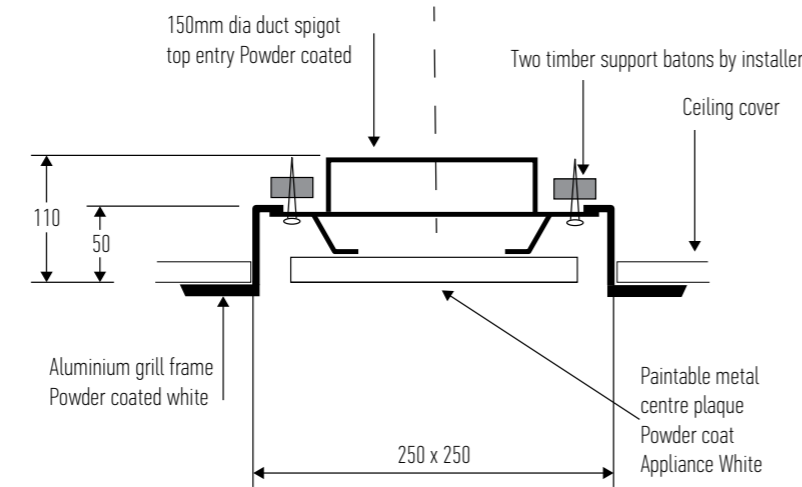
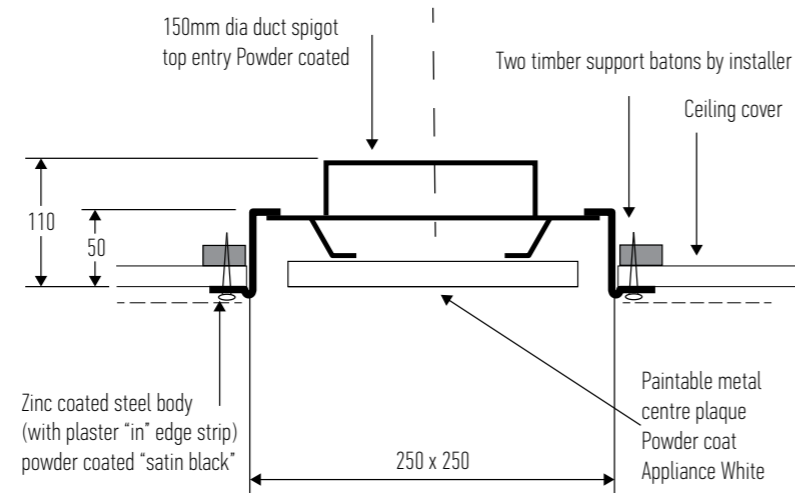


VENTILATION GRILLS

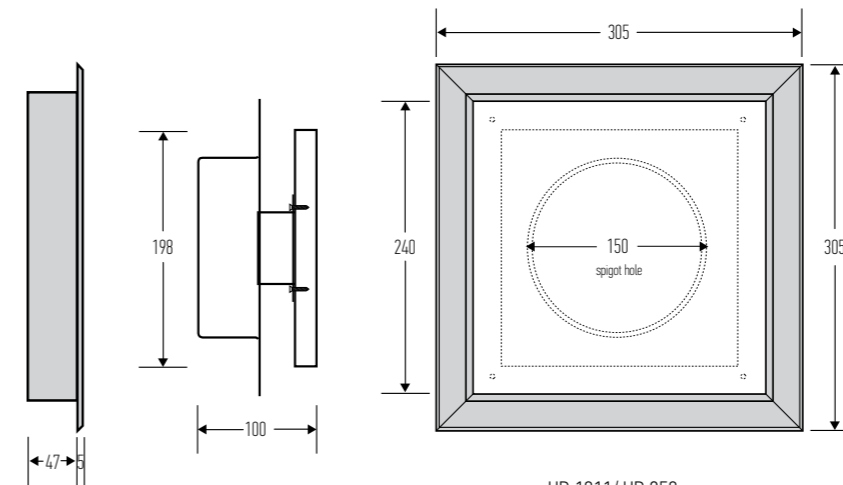
Designed and manufactured in New Zealand

MODEL	DESCRIPTION	FINISH
HB 1010	Frameless Square Grill	Blk Frame/White Panel
HB 1011	Retro Fit Framed Square Grill	Blk Frame/White Panel
HB 1020	Frameless Rectangular Grill	Blk Frame/White Panel
HB 1040	Frameless Round Grill	Blk Frame/White Panel

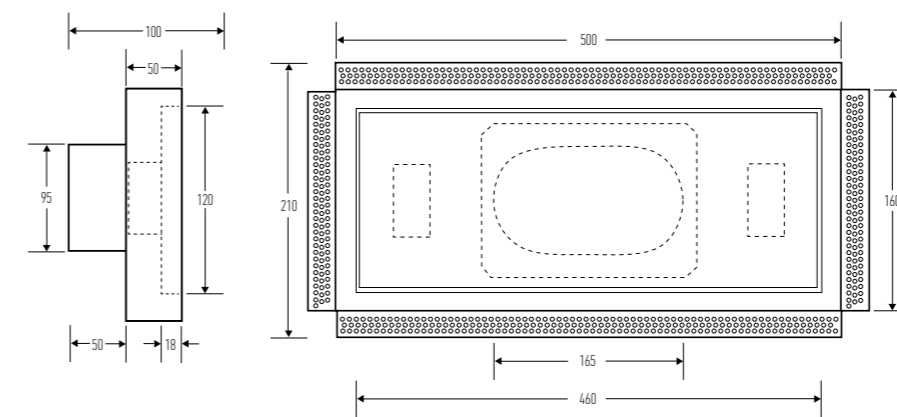
■ Grill set only, ducting and fan systems not included.



HB 1010/ HB 250



HB 1011/ HB 250



HB 1020



HB 1010/ HB 250



HB 1020

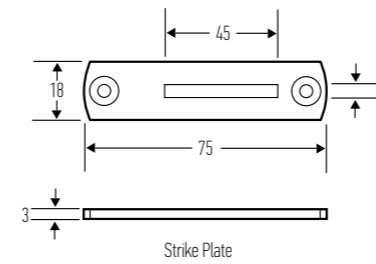
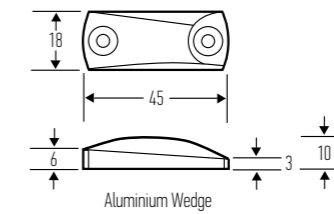
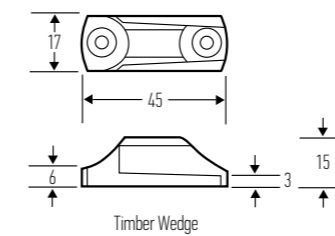
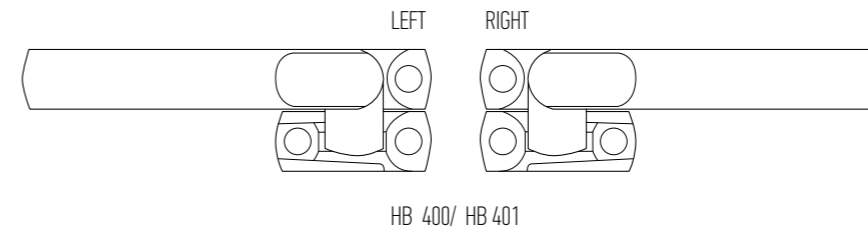
1040 line drawing



WINDOW HANDLES

MODEL	DESCRIPTION	FINISH
HB 400	Window Handle Timber Joinery (timber wedge)	BN, BSC, DB, KC, PB, PC, PN, SC
HB 401	Window Handle Aluminium Joinery (aluminium wedge)	BN, BSC, DB, KC, PB, PC, PN, SC

■ Due to small tolerances in moving parts, powder coat finishes are not available for these items.



(available as a separate item if required - not shipped as standard with window handles)



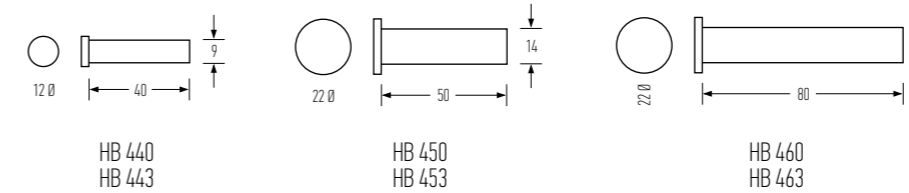
HB 1091 HB 1092



HB 400/ HB 401

COAT HOOKS

MODEL	DESCRIPTION	FINISH
HB 440	Coat Hook – 40mm, Aluminium	SC
HB 443	Coat Hook – 40mm, 316 Stainless Steel	SS
HB 450	Coat Hook – 50mm, Aluminium	SC
HB 453	Coat Hook – 50mm, 316 Stainless Steel	SS
HB 460	Coat Hook – 80mm, Aluminium	SC
HB 463	Coat Hook – 80mm, 316 Stainless Steel	SS

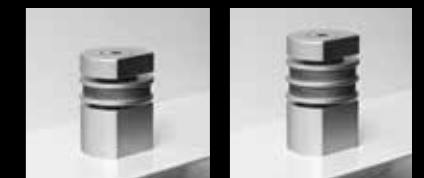
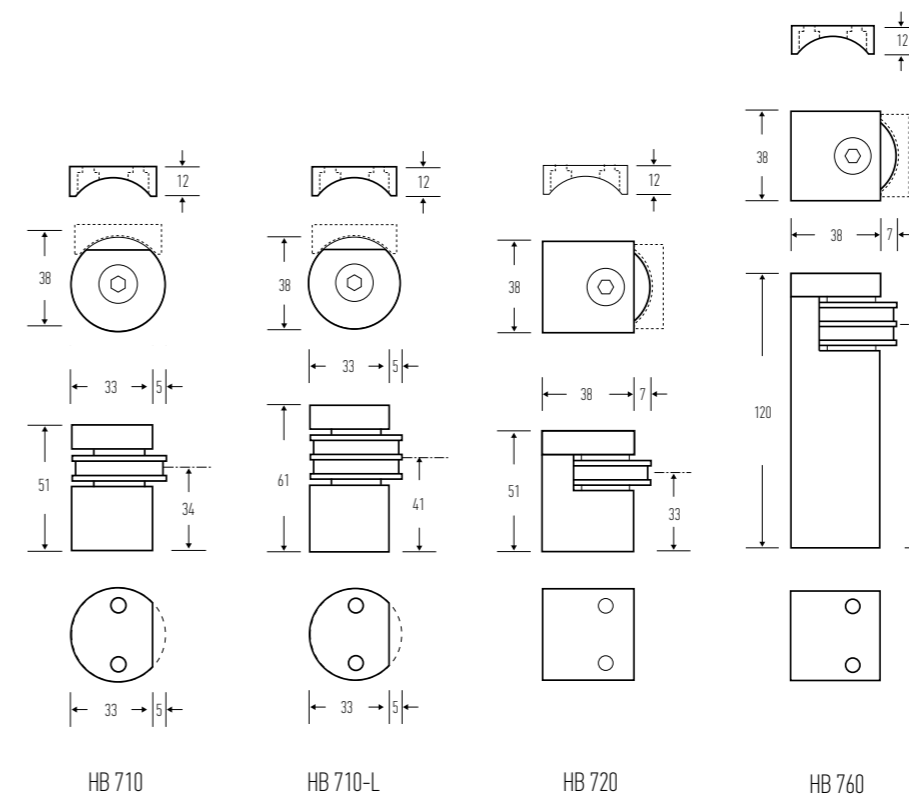


HB 440, HB 450, HB 460 HB 443, HB 453, HB 463

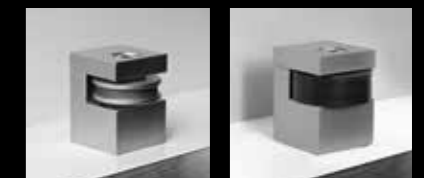
DOOR STOPS

MODEL	DESCRIPTION	FINISH
HB 710	Round Magnetic Door Stop, Aluminium	SC, others by order
HB 710-L	Round Double Magnetic Door Stop, Aluminium	SC, others by order
HB 720	Square Magnetic Door Stop, Aluminium	SC, others by order
HB 725	Square Rubber Door Stop, Aluminium	SC, others by order
HB 735	Wall Mounted Aluminium Doorstop, Aluminium	SC, others by order
HB 740	Wall Mounted Doorstop, Stainless Steel	SS
HB 760	Tall Magnetic Door Stop + Packer Block, Aluminium	SC, others by order
HB 765	Square Packer Block only, Aluminium	SC, others by order

■ All Magnetic Door Stops include a door-mounted Keeper in steel finished to match.



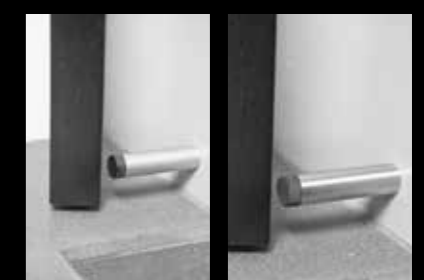
HB 710 HB 710-L



HB 720 HB 725



HB 760



HB 735 HB 740

ITEM CODE

PRODUCT

HB 120	Surface Bolt 300mm
HB 125	Surface Bolt 600mm
HB 127	Full Keeper Plate for Surface Mounted Bolts
HB 128	L Strike for Surface Mounted Bolts
HB 129	Flat Strike for Surface Mounted Bolts
HB 370	Extrusion Drawer Pull
HB 375	Extrusion Drawer Pull 45 Degree
HB 380	Extrusion Drawer Pull Flat Radius
HB 382	Extrusion Drawer Pull Small Round
HB 385	Extrusion Drawer Pull Large Round
HB 387	Extrusion Drawer Pull Square
HB 400	Window Handle Timber
HB 401	Window Handle Aluminium
HB 440	Coat Hook 40mm Aluminium
HB 443	Coat Hook 40mm Stainless Steel
HB 450	Coat Hook 50mm Aluminium
HB 453	Coat Hook 50mm Stainless Steel
HB 460	Coat Hook 80mm Aluminium
HB 463	Coat Hook 80mm Stainless Steel
HB 500	Stair Rail Bracket Aluminium
HB 502	Glass Fixing Kit M6 Aluminium
HB 510	Stair Rail Bracket Stainless Steel
HB 512	Glass Fixing Kit M6 Stainless Steel
HB 520	Stair Rail Bracket Aluminium
HB 522	Glass Fixing Kit M8 Aluminium
HB 525	Stair Rail Bracket - with Lighting Capability Aluminium
HB 526	Stair Rail Bracket - with Lighting Capability Stainless Steel
HB 527	Stair Rail Bracket - to match HB 525 Aluminium
HB 528	Stair Rail Bracket - to match HB 526 Stainless Steel
HB 530	Stair Rail Bracket Stainless Steel
HB 533	Glass Fixing Kit M8 Stainless Steel
HB 540	Stair Rail Bracket Aluminium
HB 542	Glass Fixing Kit Aluminium
HB 550	Stair Rail Bracket Aluminium
HB 560	Stair Rail Bracket Aluminium
HB 570	Stair Rail Bracket Aluminium
HB 580	Knurled Solid Bronze D Stair Rail Bracket
HB 590	Plain Solid Bronze D Stair Rail Bracket
HB 604	Timber Fixing Kit
HB 630	Sliding Door Lock Key/Snib Both Sides 55mm B/S
HB 632	Sliding Door Lock Key/Snib In, Blank Out, 55mm B/S
HB 633	Sliding Door Lock Key/Snib In, Nothing Out, 55mm B/S
HB 636	Sliding Door Lock Key/Snib In, Blank Out, 55mm B/S + End Pull
HB 637	Sliding Door Lock Key/Snib In, Nothing Out, 55mm B/S + End Pull
HB 638	Sliding Door Lock Key/Snib Both Sides 55mm B/S + End Pull
HB 640	Sliding Door Lock Key/Snib Both Sides, 33mm B/S
HB 642	Sliding Door Lock Key/Snib In, Blank Out, 33mm B/S
HB 643	Sliding Door Lock Key/Snib In, Nothing Out, 33mm B/S
HB 648	HB 665 Snib One Side No Pull Outside
HB 649	HB 660 Snib One Side No Pull Outside
HB 649/2	HB 660 Snib Inside Blank HB 660 Outside
HB 650	Flush Pull 110mm
HB 660	Flush Pull 170mm
HB 660/35	Flush Pull 170mm Shallow
HB 665	Flush Pull 250mm Full Grip
HB 668	Flush Pull 250mm Half Grip
HB 670	Flush Pull 170mm Deep

ITEM CODE

PRODUCT

HB 675	Bi-fold/Pivot Flush Pull 170mm
HB 677	Bi-fold/Pivot Flush Pull 250mm
HB 678	Flush D Pull Handle 170mm
HB 679	Flush D Pull Handle 250mm
HB 680	Button Activated End Pull
HB 682	End Pull Small 680 Pop Out
HB 685	Button Activated End Pull Large
HB 690	Privacy Lock Set 170mm Pulls
HB 690/35	Privacy Lock Set 170mm Pulls (for 35-38mm doors)
HB 691	Body Only, No End Pull
HB 692	Sliding Snib Set 170mm Pulls Snib In, Blank Out
HB 693	Sliding Snib Set 170mm Pulls Snib In, Nothing Out
HB 694	Sliding Snib Set 170mm Pulls Snib Both Sides
HB 695	Privacy Lock Set 250mm Pulls
HB 696	Sliding Snib Set 250mm Pulls Snib In, Nothing Out
HB 697	Body Only + End Pull
HB 698	Sliding Snib Set 250mm Pulls Snib In, Blank Out
HB 699	Snib Both Sides 250mm Pulls
HB 710	Magnetic Door Stop Round
HB 710-L	Magnetic Door Stop Round Large
HB 720	Magnetic Door Stop Square
HB 725	Magnetic Door Stop Square Rubber
HB 735	Wall Mount Door Stop Aluminium
HB 740	Wall Mount Door Stop Stainless Steel
HB 760	Magnetic Door Stop Tall
HB 765	Elevating Base
HB 1010	Frameless Square Grill
HB 1011	Framed Square Grill
HB 1020	Frameless Rectangular Grill
HB 1040	Framless Round Grill
HB 1220	Full Blind Box Extrusion
HB 1225	Blind Box End Caps (HB 1220)
HB 1227	Blind Box Joiner Set
HB 1240	Part Blind Box Extrusion
HB 1260	Double Blind Box Outward Hanging
HB 1265	Blind Box End Caps (HB 1260)
HB 1267	Blind Box End Caps (Single HB 1260 Box Only)
HB 1270	Full Length Sliding Door Extrusion
HB 1275	Full Length Bi-fold/Pivot Door Extrusion
HB 1280	Double Edged Single Box Extrusion
HB 1290	Narrow Single Box Extrusion
HB 1410	Timber Fixing Kit
HB 1470	Flush Pull 310mm
HB 1475	Bi-fold/Pivot Flush Pull 310mm
HB 1480	Bi-fold/Pivot Lock Set 310mm Privacy
HB 1482	Bi-fold/Pivot Lock Set 310mm Snib/Blank
HB 1483	Bi-fold/Pivot Lock Set 310mm Snib/None
HB 1484	Bi-fold/Pivot Lock Set 310mm Snib/Snib
HB 1485	Dead Lock Set 310mm Privacy
HB 1486	Dead Lock Set 310mm Snib/Blank
HB 1487	Dead Lock Set 310mm Snib/None
HB 1488	Dead Lock Set 310mm Snib/Snib
HB 1490	Sliding Lock Set 310mm Privacy
HB 1492	Sliding Lock Set 310mm Snib/Blank
HB 1493	Sliding Lock Set 310mm Snib/None
HB 1494	Sliding Lock Set 310mm Snib/Snib

ITEM CODE

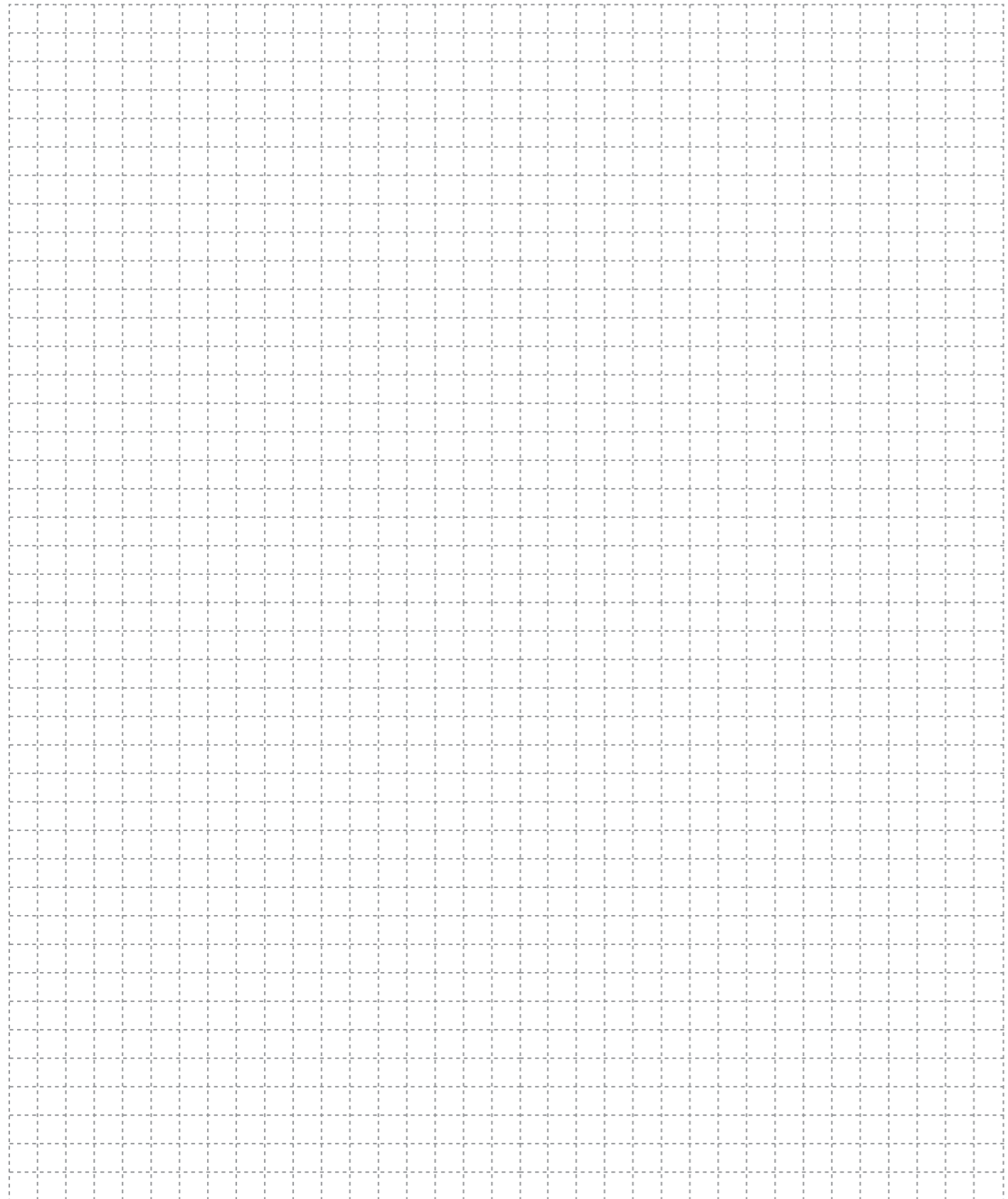
PRODUCT

HB 1510	Timber Fixing Kit
HB 1575	Flush Pull 510mm
HB 1650	Bi-fold/Pivot Lock Set 250mm Privacy
HB 1652	Bi-fold/Pivot Lock Set 250mm Snib/Blank
HB 1653	Bi-fold/Pivot Lock Set 250mm Snib/None
HB 1654	Bi-fold/Pivot Lock Set 250mm Snib/Snib
HB 1655	Dead Lock Set 250mm Privacy
HB 1656	Dead Lock Set 250mm Snib/Blank
HB 1657	Dead Lock Set 250mm Snib/None
HB 1658	Dead Lock Set 250mm Snib/Snib
HB 1810	Flush Bolt Flat Back
HB 1820	Flush Bolt Round Back
HB 1825	Flush Bolt 1m Extension Kit
HB 1827	Dust Socket Only (From Extension Kit)
HB 1830	Locking Flush bolt
HB 1850	Timber Fixing Kit
HB 1920	Rectangular Bi-fold/Pivot Flush Pull, no Key Hole
HB 1930	Rectangular Bi-fold/Pivot Flush Pull, with Key Hole
HB 1940	Sliding Lock Set HB 2010 Body HB 1930 Keyhole Both Sides
HB 1942	Sliding Lock Set HB 2010 Body HB 1930 Keyhole One Side, Blank Outside
HB 1943	Sliding Lock Set HB 2010 Body HB 1930 Keyhole One side Only
HB 1950	Sliding Lock Set HB 2015 Body HB 1930 Keyhole Both Sides
HB 1952	Sliding Lock Set HB 2015 Body HB 1930 Keyhole One Side, Blank Outside
HB 1953	Sliding Lock Set HB 2015 Body HB 1930 Keyhole One side Only
HB 1960	Sliding Lock Set HB 2020 Body HB 1930 Keyhole Both Sides
HB 1962	Sliding Lock Set HB 2020 Body HB 1930 Keyhole One Side, Blank Outside
HB 1963	Sliding Lock Set HB 2020 Body HB 1930 Keyhole One side Only
HB 1970	Sliding Lock Set HB 2025 Body HB 1930 Keyhole Both Sides
HB 1972	Sliding Lock Set HB 2025 Body HB 1930 Keyhole One Side, Blank Outside
HB 1973	Sliding Lock Set HB 2025 Body HB 1930 Keyhole One side Only
HB 2010	Sliding Mortice Lock 30mm Backset
HB 2015	Dead Bolt 30mm Backset
HB 2020	Sliding Mortice Lock 55mm Backset
HB 2025	Dead Bolt 55mm Backset
HB 2230	D Pull 300mm Long 16mm Rod
HB 2235	D Pull 300mm Long 19mm Rod
HB 2237	Offset D Pull 300mm Long 19mm Rod
HB 2240	D Pull 600mm Long 19mm Rod
HB 2245	D Pull 600mm Long 16mm Rod
HB 2247	Offset D Pull 600mm Long 19mm Rod
HB 2250	D Pull 1200mm Long 19mm Rod
HB 2260	Single Knob for 19mm Knob
HB 2220 16mm BtB	Back to Back Kit, HB 2200 Series, 16mm Rod
HB 2220 19mm BtB	Back to Back Kit, HB 2200 Series, 19mm Rod
HB 2220 16mm Face	Face Fix Kit, HB 2200 Series, 16mm Rod
HB 2220 19mm Face	Face Fix Kit, HB 2200 Series, 19mm Rod
HB 2220 16mm Glass	Glass Single Pull Kit, HB 2200 Series, 16mm Rod
HB 2220 19mm Glass	Glass Single Pull Kit, HB 2200 Series, 19mm Rod
HB 2220 16mm Glass BtB	Glass Back to Back Kit, HB 2200 Series, 16mm Rod
HB 2220 19mm Glass BtB	Glass Back to Back Kit, HB 2200 Series, 19mm Rod
HB 2220 19mm TF	Through Fix Kit, HB 2200 Series, 19mm Rod
HB 3370	Extra Long Bi-fold/Pivot Flush Pull, no Key Hole
HB 3375	Extra Long Bi-fold/Pivot Flush Pull, with Key Hole

PRODUCT CODE INDEX

NOTES & THINGS TO REMEMBER

- Door thicknesses - please provide door thicknesses for all doors. These are needed to make sure hardware will fit correctly and to provide correct length cylinders and spindles for locking sets.
- Stile dimension - please advise stile dimension for any glazed doors. This is crucial for making sure locks are not too big for the door.
- Cylinder functions - please advise how you would like the doors to lock (eg key outside / thumb turn inside, key both sides, turn inside only).
- For further technical information, installation instructions, and images, please go to hallidaybaillie.com.



halliday baillie

Halliday + Baillie sliding door hardware is available in the following durable high-quality finishes. Not all finishes are available in all regions. Check with your dealer.



SC : Satin Chrome



BC/BSC : Brushed Chrome



PC : Polished Chrome



KC : Matt Black Chrome



BN : Brushed Nickel
also available for Door Stops



PN : Polished Nickel



PB : Polished Brass
(unlacquered)



DB : Dark Bronze
also available for Door Stops



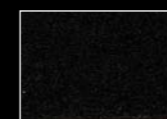
WHT : Powder Coat
Appliance White



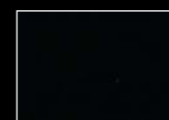
EFW : Powder Coat
Electro™ Flat White



EMB : Powder Coat
Electro™ Medium Bronze



EDB : Powder Coat
Electro™ Dark Bronze



EBA : Powder Coat
Electro™ Black Ace

THE FINISHES

■ Please check with your local Halliday + Baillie representative as not all finishes are available in all regions.

A general note on electroplating: Electroplating is done by passing an electric current through a chemical solution that contains various metals and the objects being plated. This current causes the metal in the solution to be attracted to the object and to bond with it. The finishes listed below can be plated onto most metals including steel, stainless steel, brass, copper, tin, lead, gold, silver, zinc, and aluminium.

SC : To achieve this finish a special pearl bright satin nickel plating process is used. Additives to the twin nickel layers cause the plating process to produce a velvet/satin result that is then over-plated with heavy chrome. This smooth finish is ideal for both interior and exterior use, where superior durability is required.

BC/BSC : This finish is no longer included as a standard Halliday + Baillie finish – please contact your local Halliday + Baillie representative for further information.

PC : This process follows the steps as for polished nickel. Then, after the polishing step, articles are plated with a heavy chrome barrier layer, and polished to a high shine.

KC : Black chrome is plated to the same level as our "Brushed Nickel" (see below) but without the brushing stage. Hardware has an additional plating step in a black chrome bath which gives added protection and a deep black finish, before being hand waxed to provide surface consistency and to minimise finger printing on the surface when new. Please note – the wax on these items will gracefully wear away over time.

BN : Our brushed nickel finish undergoes several stages for look and function. As with most of our zinc hardware, a base of several copper layers is plated first followed by a two-step nickel process. The first layer is a bright sulphur free nickel for corrosion resistance. This is followed by a second pearl bright satin nickel layer to achieve our characteristic velvet look. When the two layers are present a higher corrosion resistance is achieved than just the semi-bright layer on its own. After coating the items are brushed for a soft look which is a match to most satin or brushed stainless steel items.

PN : Our bright/polished nickel finish undergoes the nickel process as detailed in "Brushed Nickel". After coating however the items are polished to a high shine finish rather than brushing.

PB : To achieve this finish a thick layer of brass is electrodeposited on the article which is then brushed to produce an even appearance. On dispatch this finish is a bright polished brass without further coating or lacquer, therefore this process is considered a 'living finish' and will dull and patina over time and with different weather conditions if not kept polished. This is not considered a flaw in the process but rather, a desirable characteristic of the continuous aging process of this material.

DB : PLEASE NOTE THIS IS A NEW BRONZE FINISH AND MAY NOT MATCH PREVIOUS "DB" ITEMS. To achieve this finish on all but brass based items, several copper layers are plated, followed by a thick satin nickel later to achieve a robust thickness on zinc items. Following this a thick layer of heavy brass is electrodeposited on the article which is then brushed to produce an even appearance as above. A special aging solution is then used to simulate a natural antique look. The surface is then wiped with wax. This process is considered a 'living finish' and will patina over time and with different weather conditions. This is not considered a flaw in the process but rather, a desirable characteristic of the continuous aging process of this material.

WHT : The Halliday + Baillie standard powder coat colours are applied electrostatically and then cured under heat to allow it to form a "skin". The powder may be thermoplastic or a thermoset polymer and is used to create a hard finish that is tougher than a conventional paint. The standard colours are Appliance White (Dulux 91558853), and the three finishes below. Custom powder coating can be ordered, with timing and pricing confirmed on order.

EBA, EFW, EMB & EDB : "Electro Black Ace", "Electro Flat White", "Electro Medium Bronze", "Electro Dark Bronze". Unlike anodised or electroplated finishes Electro™ powder coatings can be applied to an even wider variety of substrates. Electro™ finishes are highly durable and made from UV resistant materials. No liquid chemicals, solvents or caustic solutions are used in the manufacture of the Electro™ powder coatings and Electro™ powder coatings have a negligible VOC content. This selection of coatings are suitable for a range of climatic conditions, from hot to cold and humid to dry. Please note Electro™ Medium Bronze has a pearlescent or metallic content rather than a standard flat paint finish. Both "EBA" and "EFW" have a more matt appearance than standard powder coats. Please note Electro Flat White is by order only and additional lead times may apply.



SC : Satin Chrome
for Aluminium
Handrail Brackets
& Door Stops



BS : Milled
Stainless Steel
for Stainless Steel
Handrail Brackets



CS : Cast Stainless
Steel (only HB 510)
for Stainless Steel
Handrail Brackets



CREATING CLASSICS

NEW ZEALAND SHOWROOM:

1:5 Axis Building, 91-93 St Georges Bay Road, Parnell
Auckland, New Zealand
Phone: +64 9 358 1172 | Fax: +64 9 358 1176
Email: sales@hallidaybaillie.com

AUSTRALIAN SHOWROOMS:

Ground Floor, 45 Chippen Street, Chippendale,
NSW 2008
Phone: +61 2 9699 3330 | Fax: +61 2 9699 3660
Email: sales@hallidayandbaillie.com

Western Australia, International Door Hardware (IDH)

74 Malaga Drive, Malaga WA 6090
Phone: +61 8 9248 8188
Email: idh@doorhardware.com.au

DISTRIBUTED IN NORTH AMERICA:

Bridgeport Worldwide, LLC
34 Norman Street, Bridgeport, CT 06605
www.bridgeportworldwide.com

DISTRIBUTED IN SCANDINAVIA:

H+B Showroom, Brunbjergvej 1, 8240 Risskov, Denmark
Phone: +45 24 24 58 00
Email: sales@mejlholmco.com
www.mejlholmco.com

DISTRIBUTED IN UNITED KINGDOM:

Opitome Ltd, The Busworks, 39-41 North Rd
London, N7 9DP
Phone: 07889536911
Email: curious@opitome.co.uk
www.opitome.co.uk

© Products and Design, Halliday + Baillie, 2019

