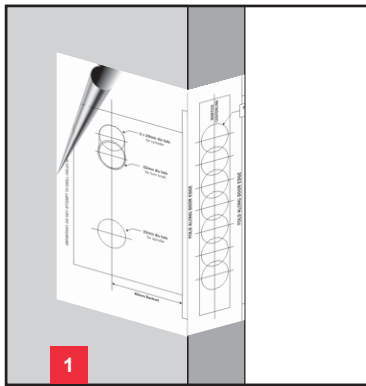


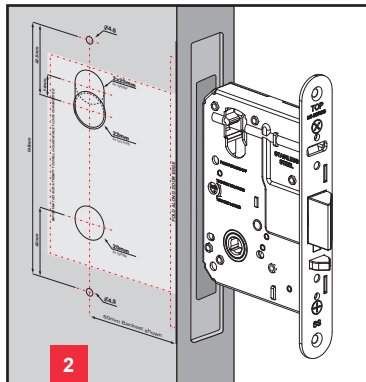
6600/6700 Series



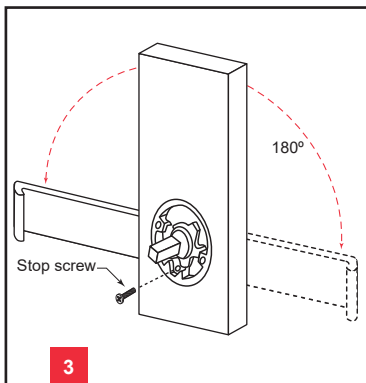
Door Furniture Template and Fitting Instructions



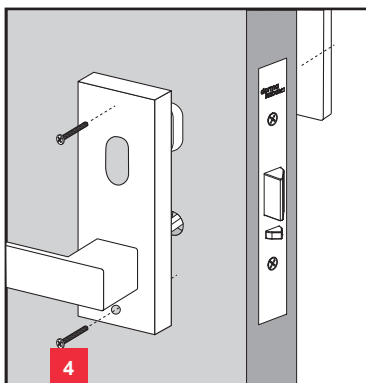
1. Position template and mark out drilling centres. **Important** also refer to lock manufacturer's template prior to drilling.



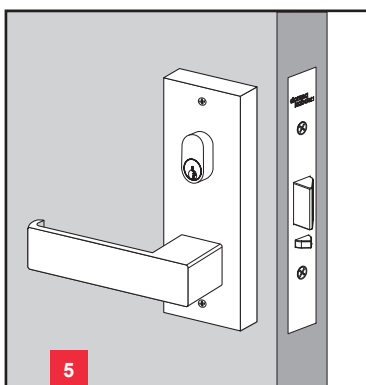
2. Important Do not attempt to drill holes whilst lock is in mortice. Drill the 4.5mm fixing holes half way through the door and repeat on the other side, with the holes meeting in the middle of the door. Drill other holes as per template that are required to match function of plates.



3. Non handed levers
To change handing remove stop screw and rotate 180°. Then replace the stop screw.

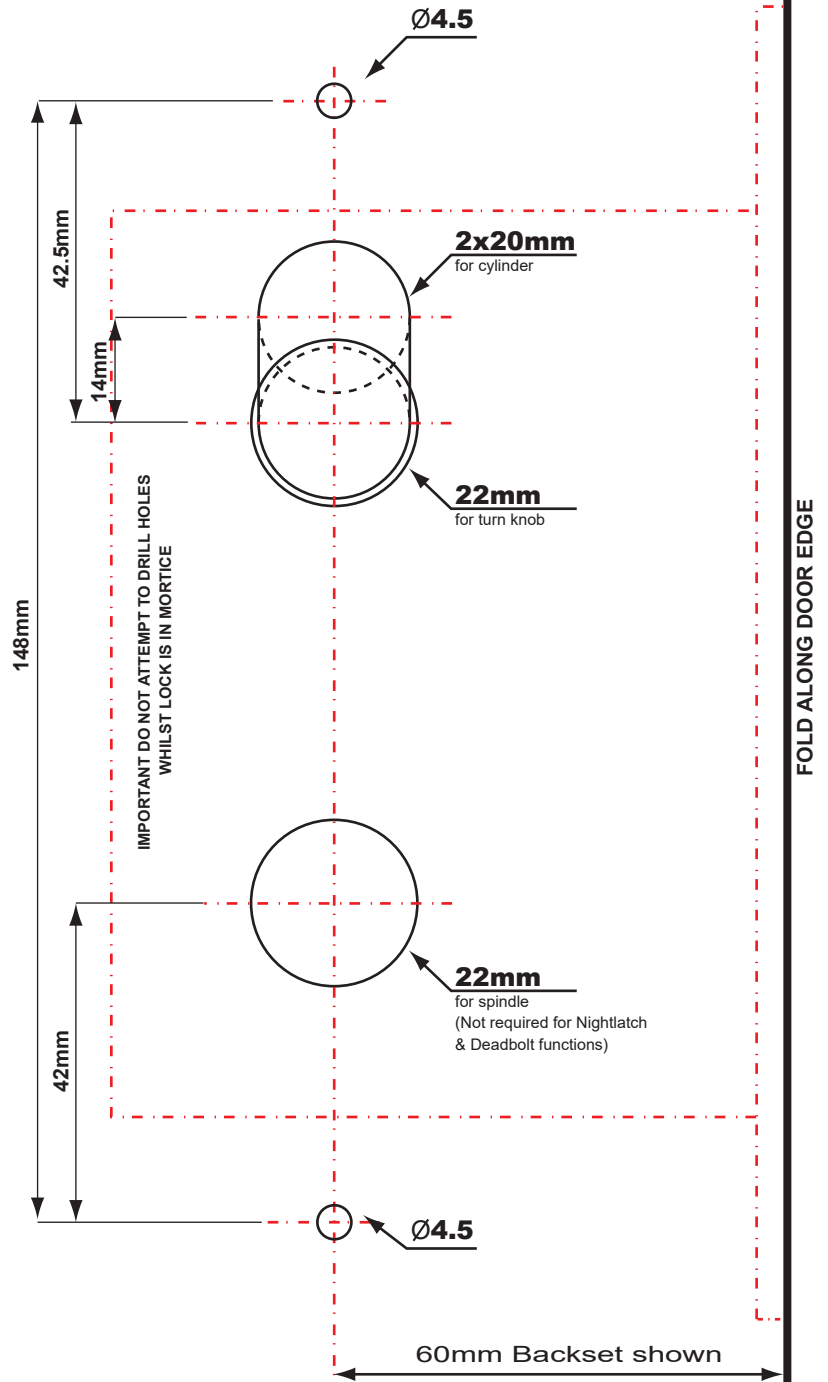


4. Insert spindle and spring supplied into lever to both sides of the door (spring locates fully into lever). Determine the correct screw length to suit the door thickness then cut screws



5. Install furniture to the door. Do not over tighten screws with excessive tension on power driver as this may damage screws and void warranty.

6600/6700 Series Door Furniture Template



Paper templates might distort due to air moisture. Only the indicated measurements are therefore obligatory.