

General Hardware

Strike Shields - 316 Grade Stainless Steel

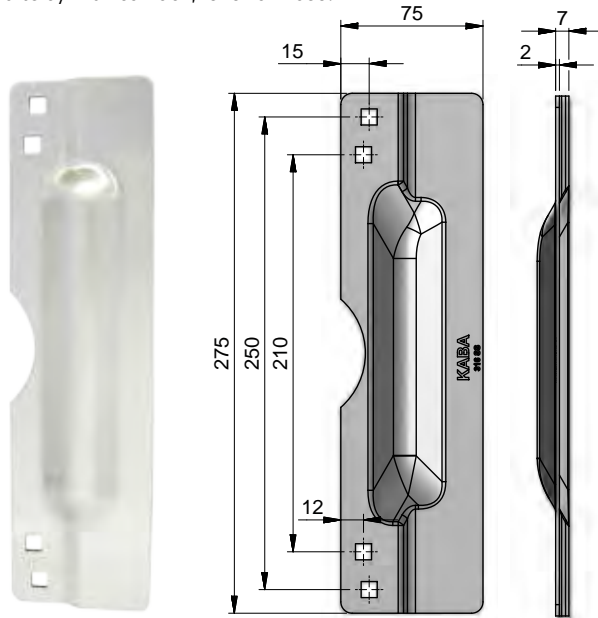
TRADITIONAL BOLT-THRU STRIKE SHIELDS

Latchbolt door guard for outward opening doors.

Fixing: 4 x 10mm flush mount bolts supplied.

SS087

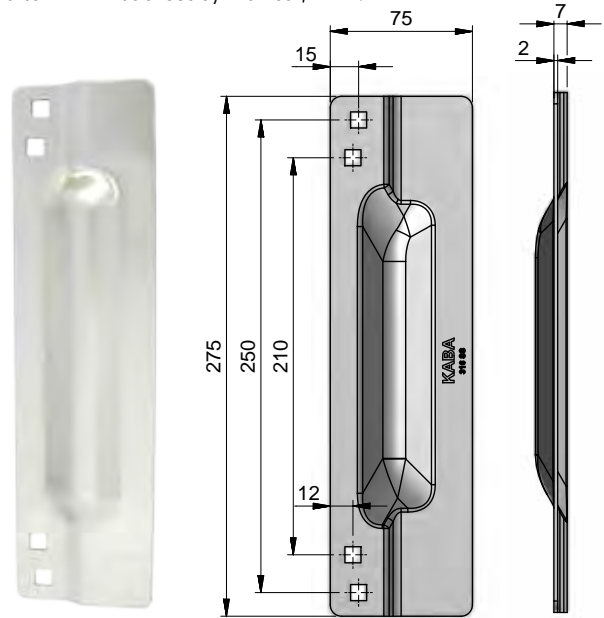
Suits cylindrical lock, lever on rose.



CODE	FINISH	DESCRIPTION
SS087	SS	Strike Shield - visible fix

SS096

Suits 127mm backset cylindrical, K-I-L.



CODE	FINISH	DESCRIPTION
SS096	SS	Strike Shield - visible fix

General Hardware

Strike Shields - 316 Grade Stainless Steel

CONCEALED FIX AND FIRE RATED STRIKE SHIELDS

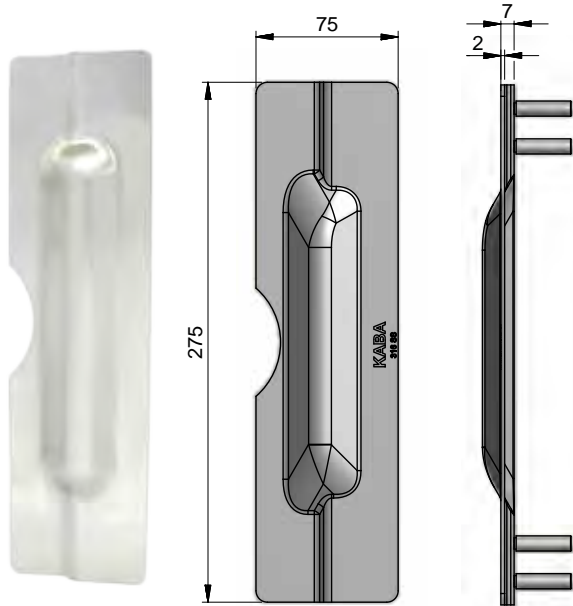
Latchbolt door guard for outward opening doors, both standard and fire rated.

Fixing: 4 x 6 mm flathead bolts - allen key fix.



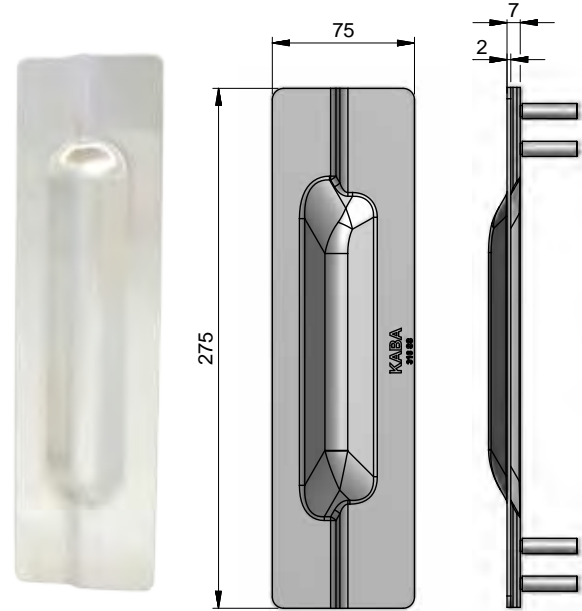
SS088

Suits cylindrical locks, lever on rose.



SS092

Suits 127mm backset cylindrical, K-I-L.

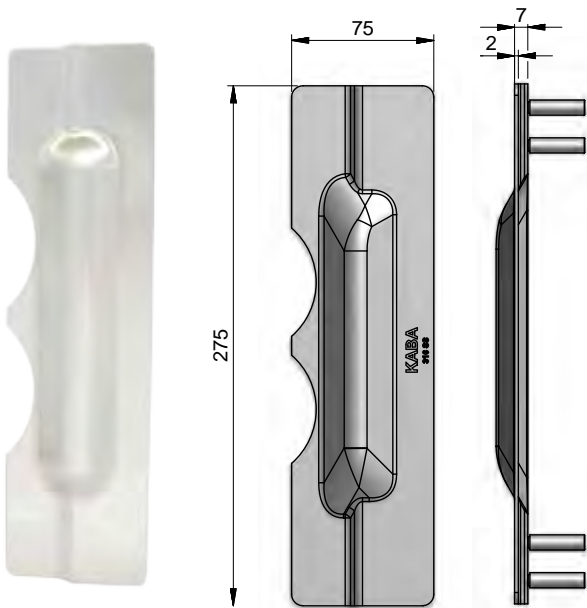


CODE	FINISH	DESCRIPTION
SS088	SS	Strike Shield - concealed fix

CODE	FINISH	DESCRIPTION
SS092	SS	Strike Shield - concealed fix

SS098

Suits rose furniture.



CODE	FINISH	DESCRIPTION
SS098	SS	Strike Shield - concealed fix

General Hardware

Strike Shields - 316 Grade Stainless Steel

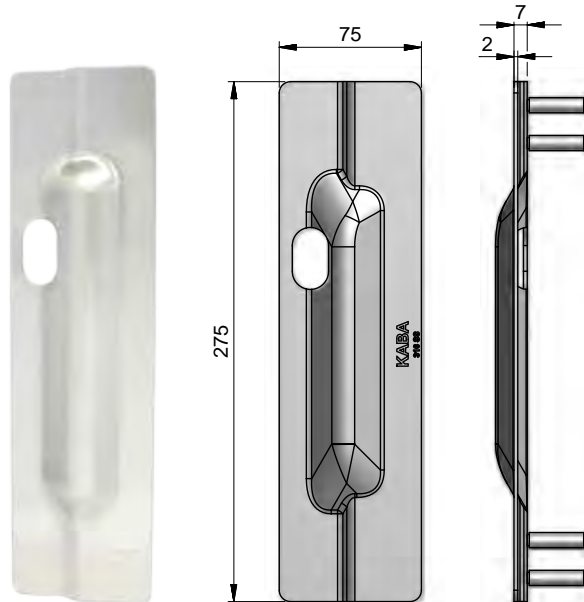
TRADITIONAL BOLT-THRU STRIKE SHIELDS

Latchbolt door guard for aluminium narrow stile outward opening doors.

Fixing: **SS092N** - Concealed via 4 x 6mm flathead screws - allen key fix, **SS096N** - Visible via 4 x 10mm bolts.

SS092N

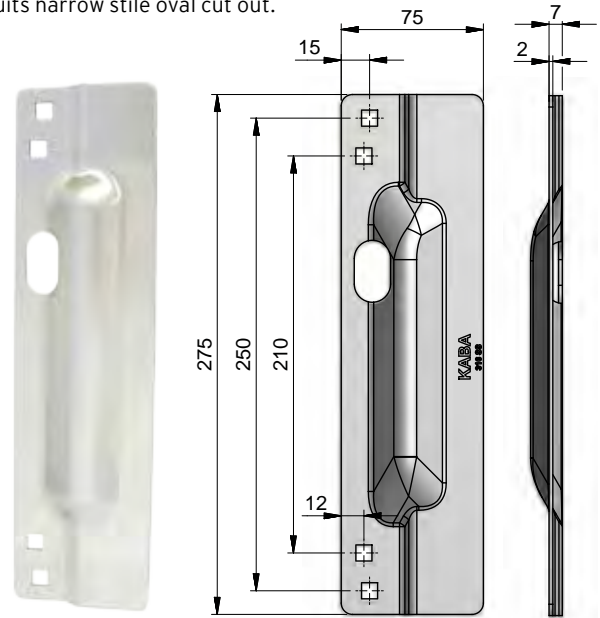
Suits narrow stile oval cut out.



CODE	FINISH	DESCRIPTION
SS092NL	SS	Strike Shield - concealed fix - LH
SS092NR	SS	Strike Shield - concealed fix - RH

SS096N

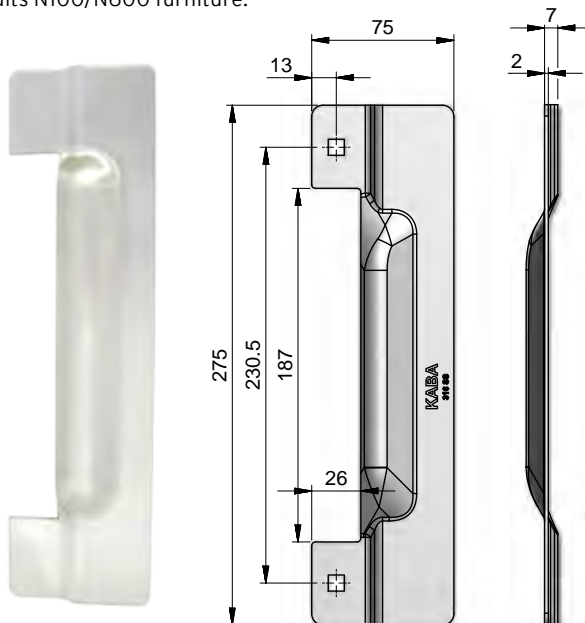
Suits narrow stile oval cut out.



CODE	FINISH	DESCRIPTION
SS096NL	SS	Strike Shield - visible fix - LH
SS096NR	SS	Strike Shield - visible fix - RH

SS097V

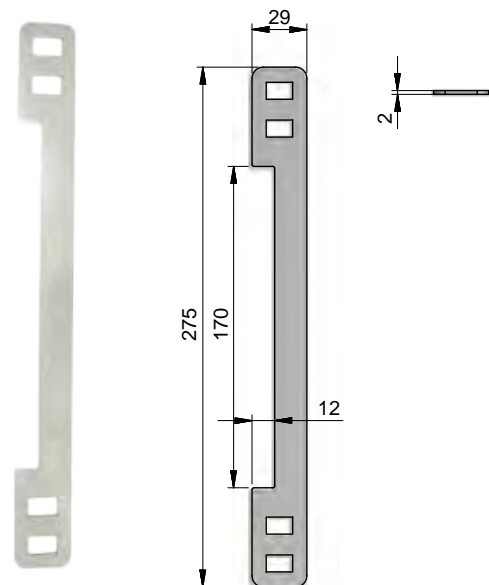
Suits N100/N600 furniture.



CODE	FINISH	DESCRIPTION
SS097V	SS	Strike Shield - visible fix

SSPP

Suits Strike Shield 316SS.



CODE	FINISH	DESCRIPTION
SSPP	SS	Packing Plate 2mm