



Your business can earn Qantas Points with us*.

*Find out more by calling Access Hardware customer service on 1800 555 600 or visit accesshardware.com.au. T&Cs apply. qantasbusinessrewards.com/terms and accesshardware.com.au/qbr

PUSH PULL PLATES AND PULL HANDLES

SUITABLE FOR TIMBER AND ALUMINIUM DOORS

- Solid stainless steel pull handles
- Concealed and visible fixing available
- 300mm x 100mm and 300mm x 65mm sizing
- AS1428.1 compliant
- 2.0mm plate thickness
- Secure stud welded fixing posts



PUSH PLATES AND PULL HANDLES

SPECIFICATIONS

The Sabre range of push and pull plate sets are made from 2mm thick 304 stainless steel, stocked in two common sizes, 300mm x 100mm and 300mm x 65mm. All plates come with 10mm radius corners and are available in both concealed and visible fix combinations. All pull

handles comply with AS1428 with no less than 35mm and no greater than 45mm finger clearance between the underside of the pull and its fixing surface. All push/pull plates and pull handles are supplied with appropriate fixing screws.

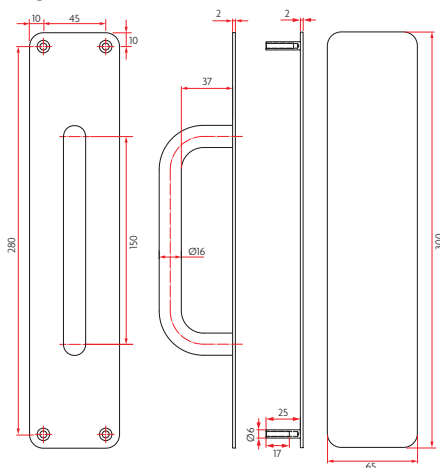
PUSH PULL PLATE SETS

CONCEALED - 65MM

SAB-PPSET-CON65-SSS

- Plate size 300 x 65 x 2mm
- Concealed push with visible 150mm pull
- To suit standard doors between 35mm and 45mm thick (longer screws are required for thicker doors)

Fixings: 4 x M4 x 30mm

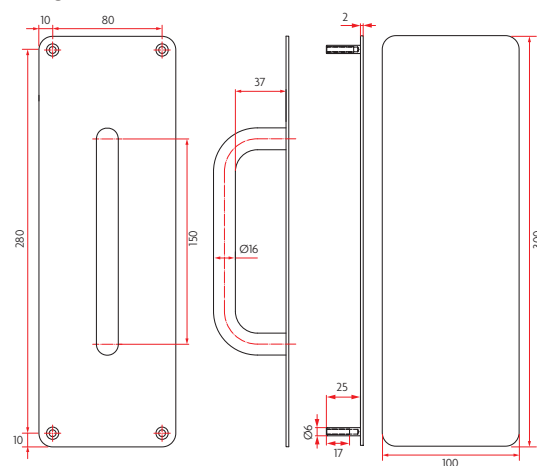


CONCEALED - 100MM

SAB-PPSET-CON100-SSS SAB-PPSET-CON100-BLK

- Plate size 300 x 100 x 2mm
- Concealed push with visible 150mm pull
- To suit standard doors between 35mm and 45mm thick (longer screws are required for thicker doors)

Fixings: 4 x M4 x 30mm



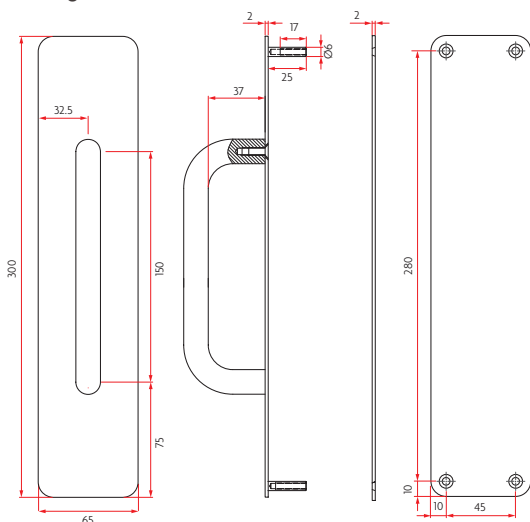
ALSO AVAILABLE
IN POWDER
COATED BLACK

VISIBLE - 65MM

SAB-PPSET-VIS65-SSS

- Plate size 300 x 65 x 2mm
- Visible push with concealed 150mm pull
- To suit standard doors between 35mm and 45mm thick (longer screws are required for thicker doors)

Fixings: 4 x M4 x 30mm

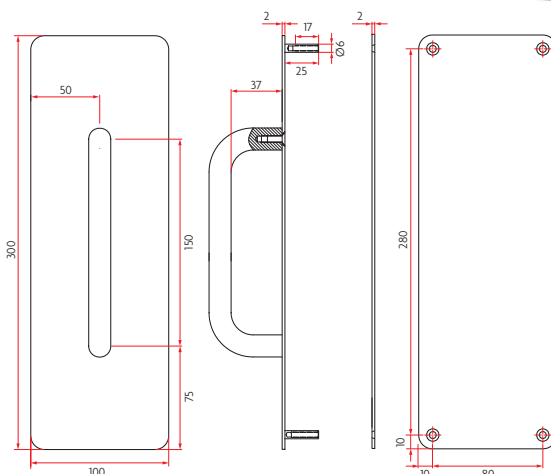


VISIBLE - 100MM

SAB-PPSET-VIS100-SSS

- Plate size 300 x 100 x 2mm
- Visible push with concealed 150mm pull
- To suit standard doors between 35mm and 45mm thick (longer screws are required for thicker doors)

Fixings: 4 x M4 x 30mm



PUSH PLATES AND PULL HANDLES

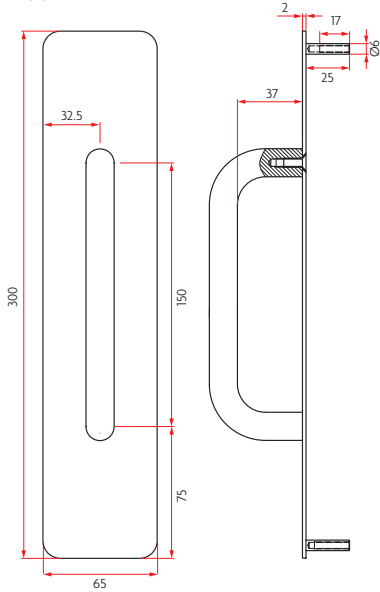
PUSH PLATES - 300 X 65

CONCEALED PULL - 65MM

SAB-PPCON365-150-SSS

- Plate size 300 x 65 x 2mm
- 150mm pull handle
- To suit standard doors between 35mm and 45mm thick (longer screws are required for thicker doors)

Fixings: 4 x M4 x 30mm

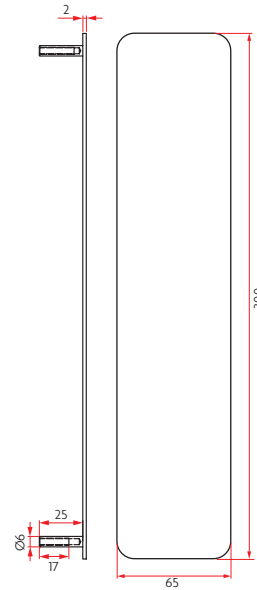


CONCEALED PUSH - 65MM

SAB-PPCON365-SSS

- Plate size 300 x 65 x 2mm
- To suit standard doors between 35mm and 45mm thick (longer screws are required for thicker doors)

Fixings: 4 x M4 x 30mm

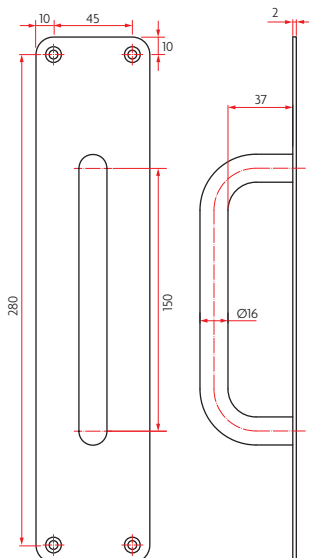


VISIBLE PULL - 65MM

SAB-PPVIS365-150-SSS

- Plate size 300 x 65 x 2mm
- 150mm pull handle
- To suit standard doors between 35mm and 45mm thick (longer screws are required for thicker doors)

Fixings: 4 x 8g x 20mm timber screws

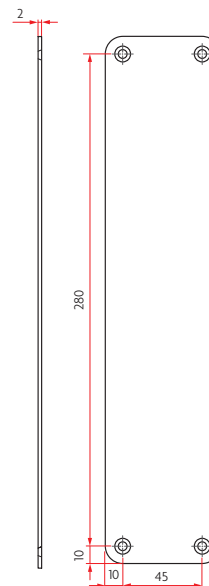


VISIBLE PUSH - 65MM

SAB-PPVIS365-SSS

- Plate size 300 x 65 x 2mm
- To suit standard doors between 35mm and 45mm thick (longer screws are required for thicker doors)

Fixings: 4 x 8g x 20mm timber screws



PUSH PLATES AND PULL HANDLES

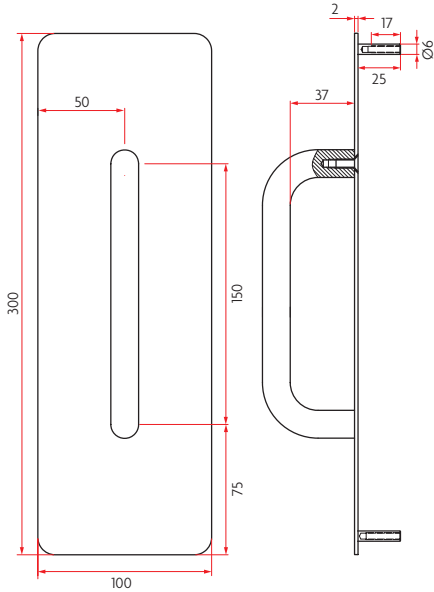
PUSH PULL PLATES - 300 X 100

CONCEALED PULL - 100MM

SAB-PPCON310-150-SSS

- Plate size 300 x 100 x 2mm
- 150mm pull handle
- To suit standard doors between 35mm and 45mm thick (longer screws are required for thicker doors)

Fixings: 4 x M4 x 30mm

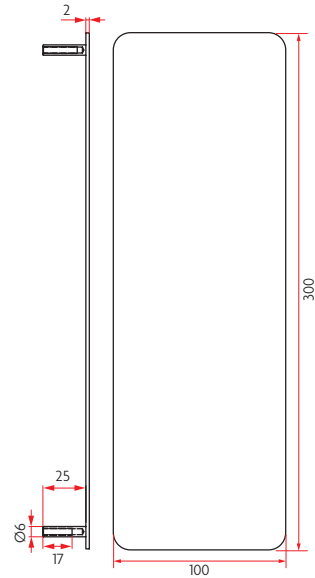


CONCEALED PUSH - 100MM

SAB-PPCON310-SSS

- Plate size 300 x 100 x 2mm
- To suit standard doors between 35mm and 45mm thick (longer screws are required for thicker doors)

Fixings: 4 x M4 x 30mm

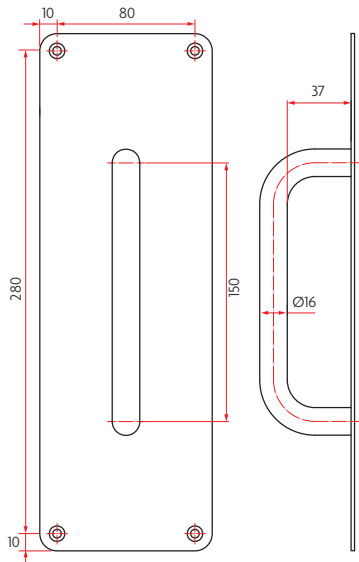


VISIBLE PULL - 100MM

SAB-PPVIS310-150-SSS

- Plate size 300 x 100 x 2mm
- 150mm pull handle
- To suit standard doors between 35mm and 45mm thick (longer screws are required for thicker doors)

Fixings: 4 x 8g x 20mm timber screws

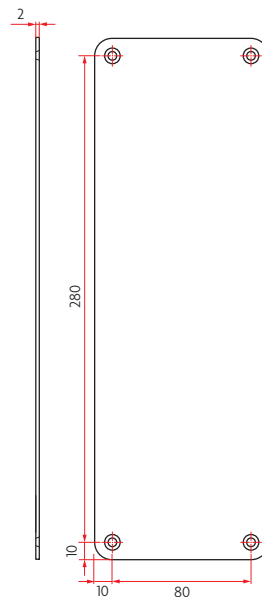


VISIBLE PUSH - 100MM

SAB-PPVIS310-SSS

- Plate size 300 x 100 x 2mm
- To suit standard doors between 35mm and 45mm thick (longer screws are required for thicker doors)

Fixings: 4 x 8g x 20mm timber screws



PUSH PLATES AND PULL HANDLES

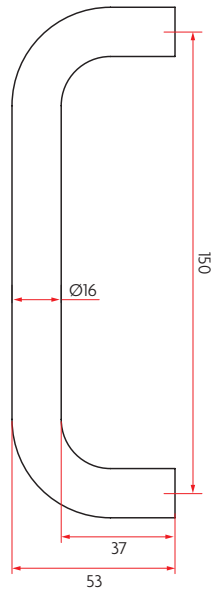
PULL HANDLES

PULL HANDLE

SAB-DH07-SSS

- 150mm Centres, 16mm Diameter
- To suit standard doors between 35mm and 50mm thick (longer screws are required for thicker doors)

Fixings: 2 x M6 x 60mm counter sunk screws.

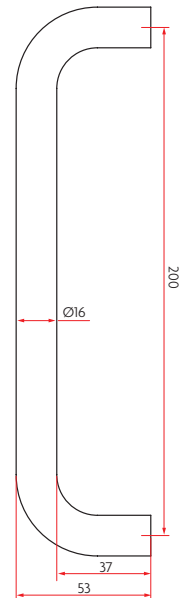


PULL HANDLE

SAB-DH08-SSS

- 200mm Centres, 16mm Diameter
- To suit standard doors between 35mm and 50mm thick (longer screws are required for thicker doors)

Fixings: 2 x M6 x 60mm counter sunk screws.



RELATED PRODUCTS



SAB-DS250
250 Door Stop



SAB-DC835
835 Door Closer



SAB-DS350
350 Door Stop