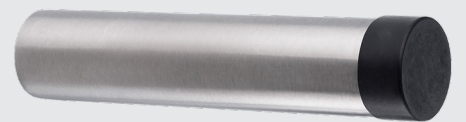


# Door stops and door holders



Door stops and door holders are a small but essential part of daily life that can help make our homes and workplaces more comfortable and convenient.



# The finishing touches for your door

## Door stops and door holders

Door stops and door holders are important finishing touches for doors that help to prevent damage to the door, walls, and floors, as well as keep the door open or closed as desired.

Door stops and holders are used to prevent doors from slamming shut due to drafts or accidental impacts, and can also be used to prop open doors for ventilation, accessibility or convenience. They are commonly used in homes, offices, schools, hospitals and other public buildings.

In addition to their practical uses, door stops and holders can also be decorative and add a touch of personality to a room or space. They come in different colors, styles, and designs, making it easy to find one that matches the decor of a room.

dormakaba offers a variety of door stops that cater to different mounting requirements such as wall, door and floor mounting. All of our doorstops boast premium quality design, finish, and appearance. These products are available in Satin Nickel Plate, Stainless Steel or Black Powder Coat finish to match various aesthetics.

### Finishes

Satin Stainless Steel	SSS
Satin Chrome	SC
Polished Stainless Steel	PSS
Satin Nickel Plate	SNP
Satin Anodised	SA
Black Powder Coat	BLK

# Door stops and door holders

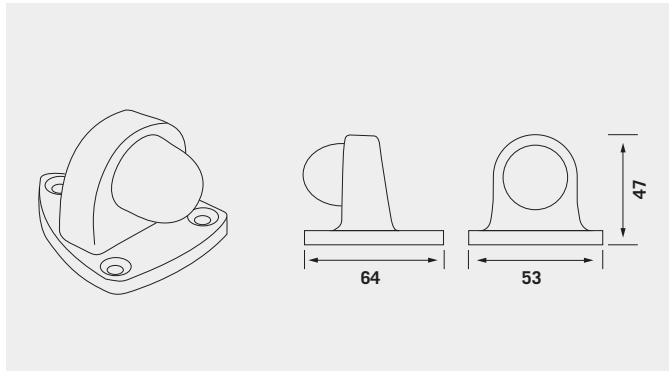
2250

**Floor mounted**

Zinc die cast door stop with black rubber door protector.

Three fixing points for heavy duty applications.

**Finish:** SNP | BLK



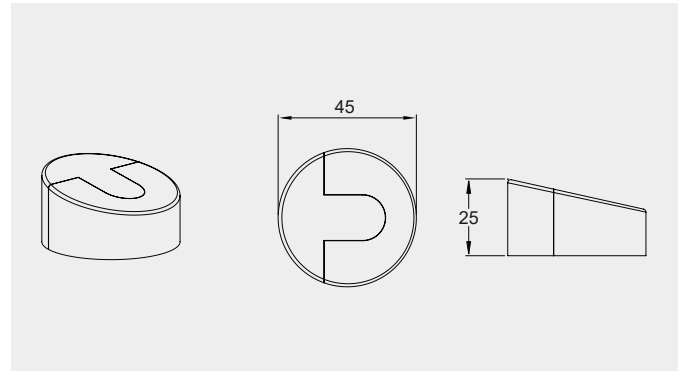
2260

**Floor mounted**

Stainless Steel door stop with black rubber door protector.

Single concealed fixing point.

**Finish:** SSS | PSS



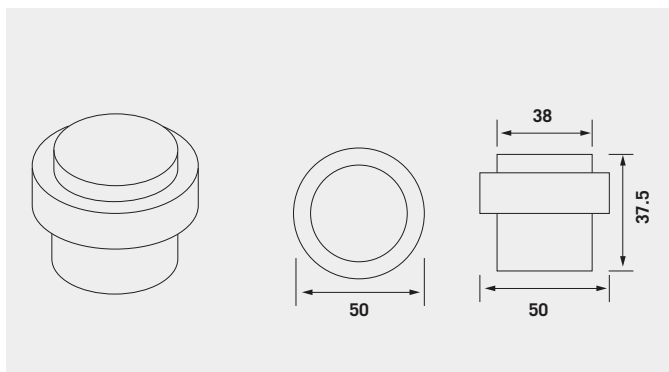
2280

**Floor mounted**

Stainless Steel door stop with black rubber door protector.

Single concealed fixing point.

**Finish:** SSS | PSS



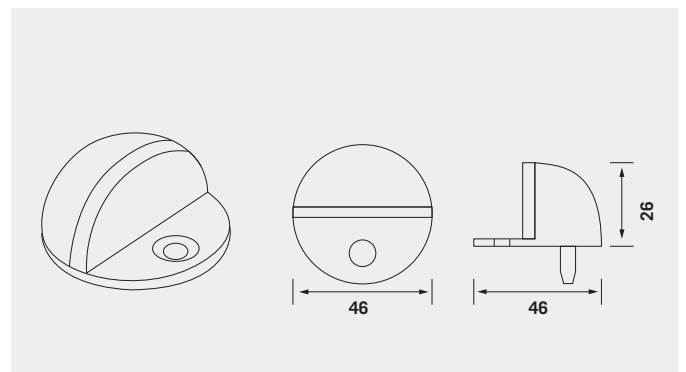
2290

**Floor mounted**

Stainless Steel door stop with black rubber door protector.

Single fixing point.

**Finish:** SNP | BLK



# Door stops and door holders

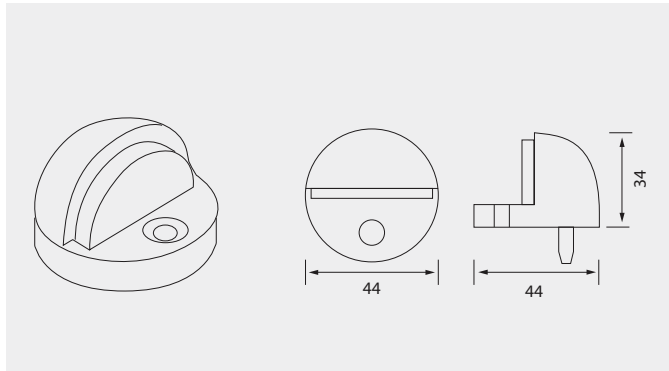
## 2290E

### Floor mounted

One piece zinc die cast door stop with black rubber buffer and 8mm additional height

Single fixing point.

Finish: SNP | BLK



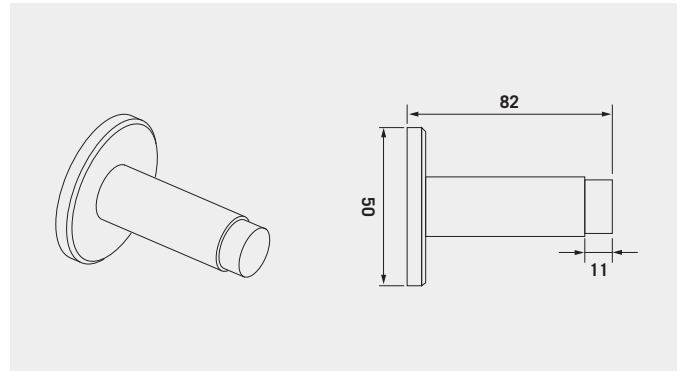
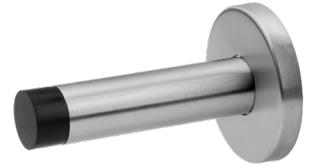
## 2300

### Wall mounted

Stainless Steel stop with black rubber buffer.

Four concealed fixing points.

Finish: SSS | BLK



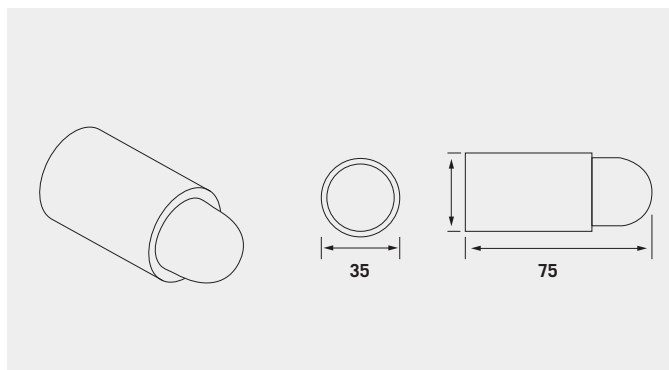
## 2350

### Wall mounted

Zinc die cast door stop with black rubber door protector .

Two concealed fixing points.

Finish: SNP | BLK



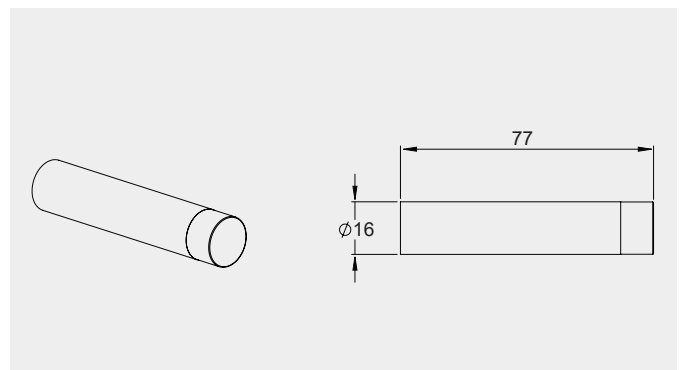
## 2370

### Wall mounted

Stainless Steel door stop with black rubber door protector.

Single concealed fixing point.

Finish: SSS | PSS



# Door holders

## DS122

### Door mounted

Zinc die cast door holder with black rubber floor stopper.

Four fixing points.

### Dimensions

Arm length: 100mm

Finish: SCP



## DS128

### Door mounted

Zinc die cast door holder with black rubber floor stopper.

Three fixing points for heavy duty commercial applications.

### Dimensions

High: 195mm

Bolt movement: 35mm

Finish: SCP



## DS884

### Wall mounted

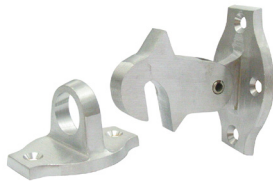
Brass door holder.

4 point wall fixing for heavy duty commercial applications.

### Dimensions

Projection: 62mm

Finish: SCP | SC



## DS563SA

### Wall mounted

Zinc die cast door holder.

3 point wall fixing with visible fix screws or concealed bolt - supplied.

### Dimensions

Projection: 85mm

Finish: SA



## DS568VSA

### Floor mounted

Zinc die cast door holder.

3 point floor fixing with visible fix screws or concealed bolt - supplied.

### Dimensions

High: 90mm

Finish: SA



# Ordering details

Item	Article Number	Description	Barcode
<b>DOOR STOPS FLOOR MOUNTED</b>			
2250SNP	9400000225011	2250 DOOR STOP SNP	9322844302449
2250BLK	9400000225009	2250 DOOR STOP BLACK	9322844302890
2260SSS	9453051030001	2260 DOOR STOP SSS	9322844305884
2260PSS	TBA	2260 DOOR STOP PSS	TBA
2280SSS	9400000228001	2280 DOOR STOP SSS	9322844301961
2280PSS	TBA	2280 DOOR STOP PSS	TBA
2290SNP	9400000229011	2290 DOOR STOP SNP	9322844301664
2290BLK	9400000229009	2290 DOOR STOP BLACK	9322844301572
2290ESNP	9400000229111	2290E DOOR STOP SNP	9322844301084
2290EBLK	9400000229109	2290E DOOR STOP BLACK	9322844306478
<b>DOOR STOPS WALL MOUNTED</b>			
2300SSS	9400000223001	2300 DOOR STOP SSS	9322844301565
2300BLK	9400000223009	2300 DOOR STOP BLACK	9322844100847
2350SNP	9400000223511	2350 DOOR STOP SNP	9322844300759
2350BLK	9400000223509	2350 DOOR STOP BLACK	9322844301893
2370SSS	9453050952001	2370 DOOR STOP SSS	9322844301060
2370PSS	9453050952002	2370 DOOR STOP PSS	9322844092272
2370ESSS	9409000000130	2370E DOOR STOP SSS	TBA
<b>DOOR HOLDERS</b>			
DS122SCP	9400000002106	DS122 DOOR HOLDER SCP	9322844300612
DS128SCP	9400000002111	DS128 DOOR HOLDER HEAVY COMMERCIAL	9322844300841
DS884SCP	9400000002125	DS884 DOOR HOLDER SCP	9322844301213
DS884SC	9400000002124	DS884 DOOR HOLDER CP	9322844102407
DS563SA	9400000002121	DS563SA DOOR STOP WALL MOUNTED INCLUDING HOLDER V/F	9322844031790
DS568VSA	9400000002122	DS568VSA DOOR STOP FLOOR MOUNTED INCLUDING HOLDER V/F	9322844306102



Door  
Hardware



Electronic  
Access & Data



Mechanical  
Key Systems



Lodging  
Systems



Entrance  
Systems



Interior Glass  
Systems



Safe  
Locks



Service

## Our Sustainability Commitment

We are committed to fostering a sustainable development along our entire value chain in line with our economic, environmental and social responsibilities toward current and future generations.

We seek an open, transparent dialogue with all stakeholders to define strategies and actions based on clear targets and continuous improvement, and we actively report on our progress.

**dormakaba New Zealand  
Head Office**  
Building P, 61-69 Patiki Road  
Avondale, Auckland 1026

T: 0800 436 762  
info.nz@dormakaba.com  
**dormakaba.co.nz**

**dormakaba Australia  
Head Office**  
12-13 Dansu Court  
Hallam VIC 3803

T: 1800 675 411  
info.au@dormakaba.com  
**dormakaba.com.au**