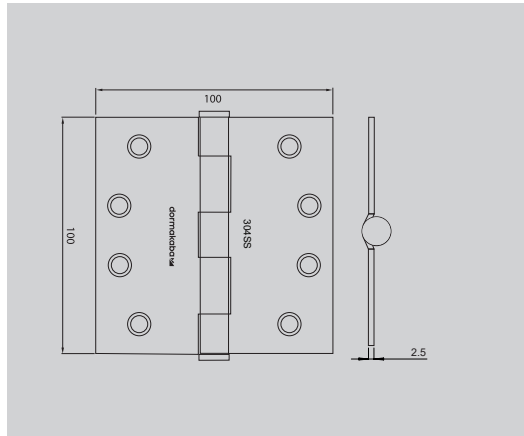


Stainless Steel Hinges

Broad Butt Button Tipped Hinges



DKH100/100FP - 100mm x 100mm Fixed Pin

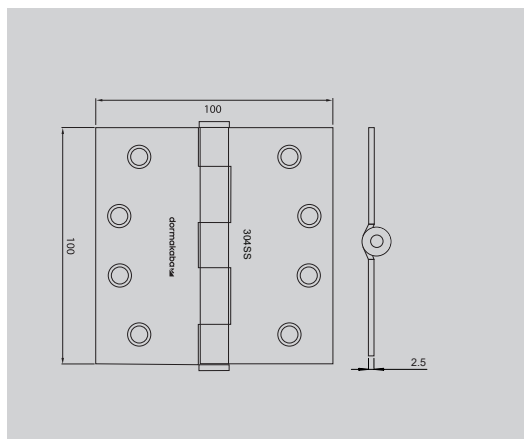
Broad Butt Hinge suitable for Timber or Metal doors and Timber or Pressed Metal frame applications

Available Finishes

- Satin Stainless Steel
- Polished Stainless Steel
- Black Powder Coat

Features:

- 304 Grade Stainless Steel
- Fixed pin with additional securing feature
- Standard pack 20 hinges
- Supplied with (8) x 4.8 x 35mm wood & (4) x M5 x 12mm metal thread screws
- Size 100 x 100 x 2.5mm



DKH100/100LP - 100mm x 100mm Loose Pin

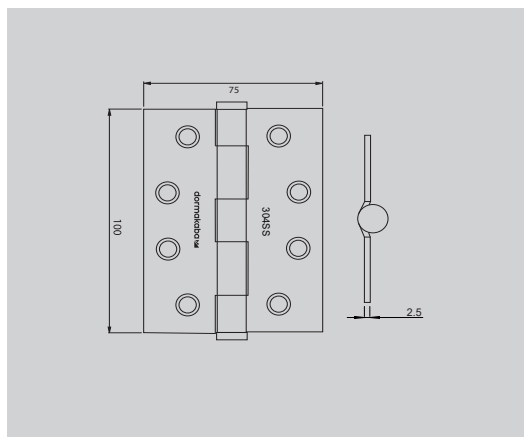
Broad Butt Hinge suitable for Timber or Metal doors and Timber or Pressed Metal frame applications

Available Finishes

- Satin Stainless Steel
- Polished Stainless Steel

Features:

- 304 Grade Stainless Steel
- Loose pin
- Standard pack 20 hinges
- Supplied with (8) x 4.8 x 35mm wood & (4) x M5 x 12mm metal thread screws
- Size 100 x 100 x 2.5mm



DKH100/75FP - 100mm x 75mm Fixed Pin

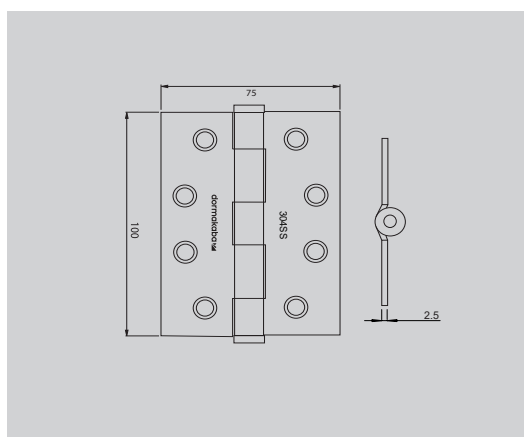
Broad Butt Hinge suitable for Timber or Metal doors and Timber or Pressed Metal frame applications

Available Finishes

- Satin Stainless Steel
- Polished Stainless Steel
- Black Powder Coat

Features:

- 304 Grade Stainless Steel
- Fixed pin with additional securing feature
- Standard pack 20 hinges
- Supplied with (8) x 4.8 x 35mm wood & (4) x M5 x 12mm metal thread screws
- Size 100 x 75 x 2.5mm



DKH100/75LP - 100mm x 75mm Loose Pin

Broad Butt Hinge suitable for Timber or Metal doors and Timber or Pressed Metal frame applications

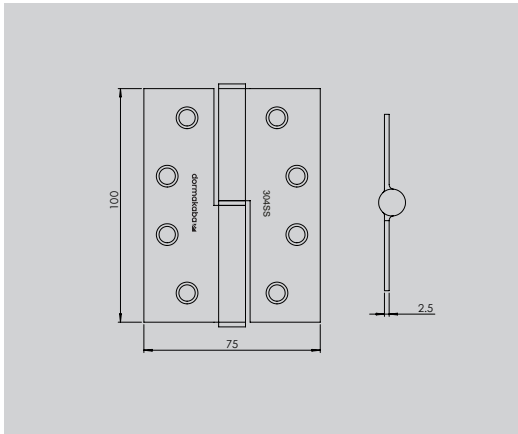
Available Finishes

- Satin Stainless Steel
- Polished Stainless Steel

Features:

- 304 Grade Stainless Steel
- Loose pin
- Standard pack 20 hinges
- Supplied with (8) x 4.8 x 35mm wood & (4) x M5 x 12mm metal thread screws
- Size 100 x 75 x 2.5mm

Broad Butt Button Tipped Hinges



DKH100/75LO LH - 100mm x 75mm Lift Off

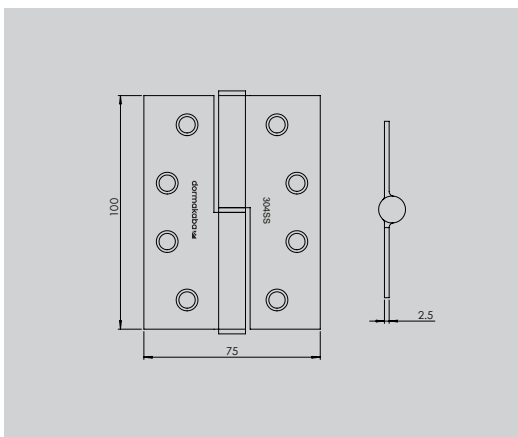
Lift Off Hinge suitable for Timber or Metal doors and Timber or Pressed Metal frame applications

Available Finishes

- Satin Stainless Steel
- Polished Stainless Steel

Features:

- 304 Grade Stainless Steel
- Handed right or left
- 1 pair per box, 30 pairs per carton
- Supplied with (8) x 4.2 x 35mm wood & (4) x M5 x 12mm metal thread screws
- Size 100 x 75 x 2.5mm



DKH100/75LO RH - 100mm x 75mm Lift Off

Lift Off Hinge suitable for Timber or Metal doors and Timber or Pressed Metal frame applications

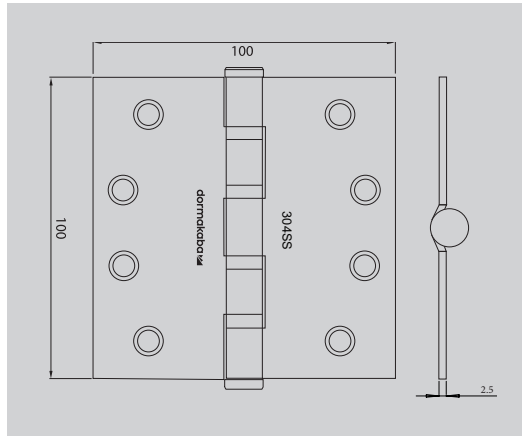
Available Finishes

- Satin Stainless Steel
- Polished Stainless Steel

Features:

- 304 Grade Stainless Steel
- Handed right or left
- 1 pair per box, 30 pairs per carton
- Supplied with (8) x 4.2 x 35mm wood & (4) x M5 x 12mm metal thread screws
- Size 100 x 75 x 2.5mm

Broad Butt Ball Bearing Button Tipped Hinge



DKH100/100BB/2.5 - 100mm x 100mm Ball Bearing

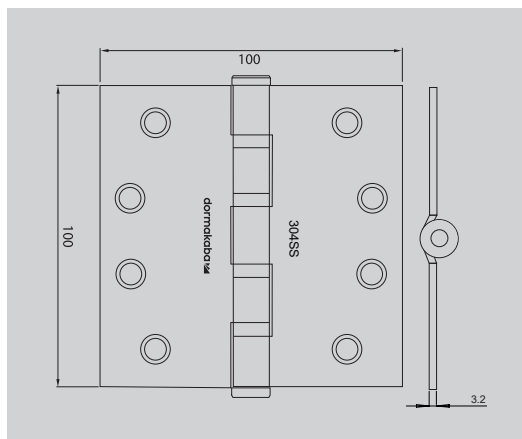
Ball Bearing Broad Butt Hinge suitable for Timber or Metal doors and Timber or Pressed Metal frame applications

Available Finishes

- Satin Stainless Steel
- Polished Stainless Steel
- Black Powder Coat

Features:

- Grade 304 Stainless Steel
- 2 Ball bearings
- Fixed pin with additional securing feature
- Standard pack 20 hinges
- Supplied with (8) x 4.8 x 35mm wood & (4) x M5 x 12mm metal thread screws
- Size 100 x 100 x 2.5mm



DKH100/100BB/3.2 - 100mm x 100mm Ball Bearing Loose Pin

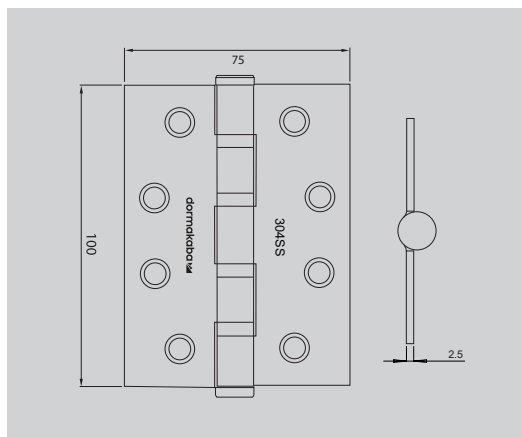
Ball Bearing Broad Butt Hinge suitable for Timber or Metal doors and Timber or Pressed Metal frame applications

Available Finishes

- Satin Stainless Steel
- Polished Stainless Steel

Features:

- Grade 304 Stainless Steel
- 2 Ball bearings
- Loose Pin
- Standard pack 20 hinges
- Supplied with (8) x 4.8 x 35mm wood & (4) x M5 x 12mm metal thread screws
- Size 100 x 100 x 3.2mm



DKH100/75BB/2.5 - 100mm x 75mm Ball Bearing

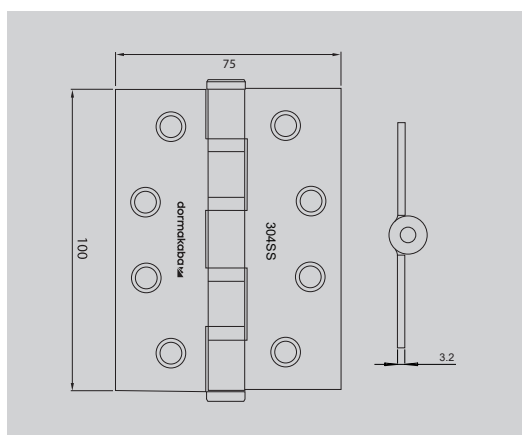
Ball Bearing Broad Butt Hinge suitable for Timber or Metal doors and Timber or Pressed Metal frame applications

Available Finishes

- Satin Stainless Steel
- Polished Stainless Steel
- Black Powder Coat

Features:

- Grade 304 Stainless Steel
- 2 Ball bearings
- Fixed pin with additional securing feature
- Standard pack 20 hinges
- Supplied with (8) x 4.8 x 35mm wood & (4) x M5 x 12mm metal thread screws
- Size 100 x 75 x 2.5mm



DKH100/75BB/3.2 - 100mm x 75mm Ball Bearing

Ball Bearing Broad Butt Hinge suitable for Timber or Metal doors and Timber or Pressed Metal frame applications

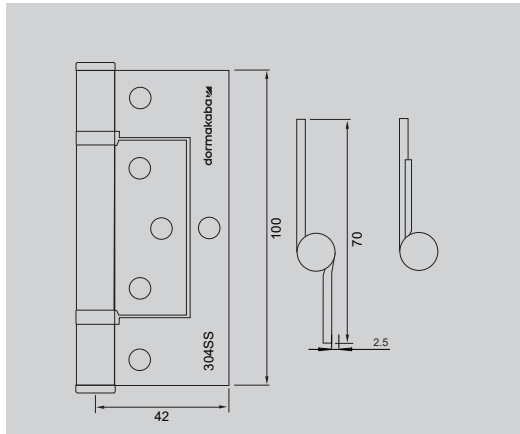
Available Finishes

- Satin Stainless Steel
- Polished Stainless Steel

Features:

- Grade 304 Stainless Steel
- 2 Ball bearings
- Loose Pin
- Standard pack 20 hinges
- Supplied with (8) x 4.8 x 35mm wood & (4) x M5 x 12mm metal thread screws
- Size 100 x 75 x 3.2mm

Stainless Steel Fast Fix Ball Bearing Button Tipped



DKH100/70FF AF - 100mm x 70mm Ball Bearing Fast Fix

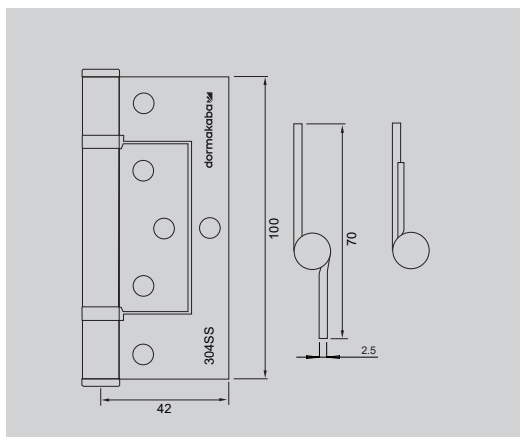
Flat Fast Fix hinge suitable for Aluminium door and frame applications

Available Finishes

- Satin Stainless Steel

Features:

- 304 Grade Stainless Steel
- 2 Ball bearings
- Fixed Pin with additional securing feature
- Standard pack 20 hinges
- Supplied with (6) x 4 x 12mm self tapping screws
- Size 100 x 70 x 2.5mm



SKH100/70FF AFK - 100mm x 70mm Ball Bearing Fast Fix

Kinked Fast Fix Hinge suitable for Aluminium door and frame applications

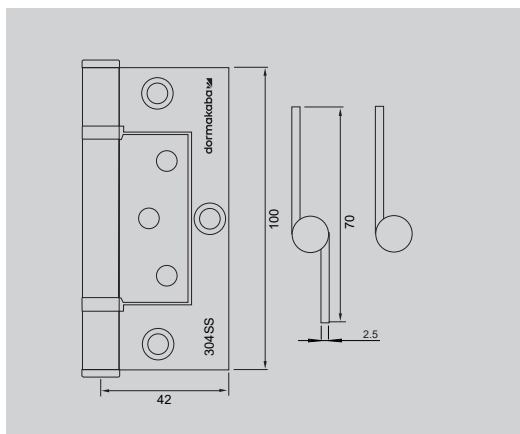
Kinked inner leaf which aids in closing the door square to the frame

Available Finishes

- Satin Stainless Steel

Features:

- 304 Grade Stainless Steel
- 2 Ball bearings
- Fixed Pin with additional securing feature
- Standard pack 20 hinges
- Supplied with (6) x 4.2 x 35mm wood & (6) x 4 x 12mm self tapping screws
- Size 100 x 70 x 2.5mm



DKH100/70FF TF - 100mm x 70mm Ball Bearing Fast Fix

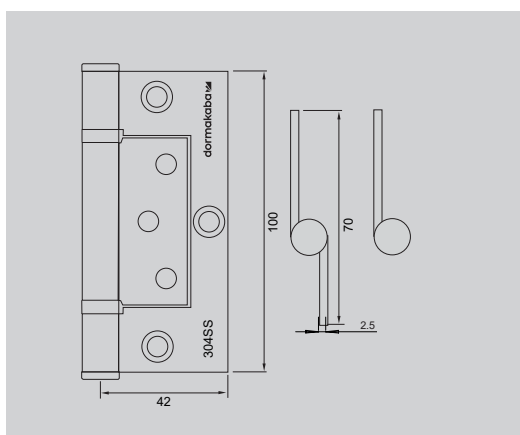
Flat Fast Fix Hinge suitable for Timber door and timber or Aluminium frame applications

Available Finishes

- Satin Stainless Steel

Features:

- 304 Grade Stainless Steel
- 2 Ball bearings
- Fixed Pin with additional securing feature
- Standard pack 20 hinges
- Supplied with (6) x 4.2 x 35mm wood & (6) x 4 x 12mm self tapping screws
- Size 100 x 70 x 2.5mm



DKH100/70FF TFK - 100mm x 70mm Ball Bearing Fast Fix

Kinked Fast Fix Hinge suitable for Timber door and Timber or Aluminium frame applications

Kinked inner leaf which aids in closing the door square to the frame

Available Finishes

- Satin Stainless Steel

Features:

- 304 Grade Stainless Steel
- 2 Ball bearings
- Fixed Pin with additional securing feature
- Standard pack 20 hinges
- Supplied with (6) x 4.2 x 35mm wood & (6) x 4 x 12mm self tapping screws
- Size 100 x 71 x 2.5mm

The inexpensive solution to hanging doors using quality dormakaba grade 304 stainless steel architectural hinges

The exceptional design features and high quality of dormakaba hinges offer the guarantee of unparalleled reliability and extended service life. Our shrouded ball bearing range of hinges contain high performance ball bearings ensuring excellent load bearing characteristics and the absorption of axial and radial stresses. This results in doors which move silently and effortlessly.

Plus points

For the trade

- Outstanding value for money.
- Easily interpreted part numbering.

For the user

- Robust quality hinges in Grade 304 Stainless Steel
- Additional security feature on all fixed pin hinges.

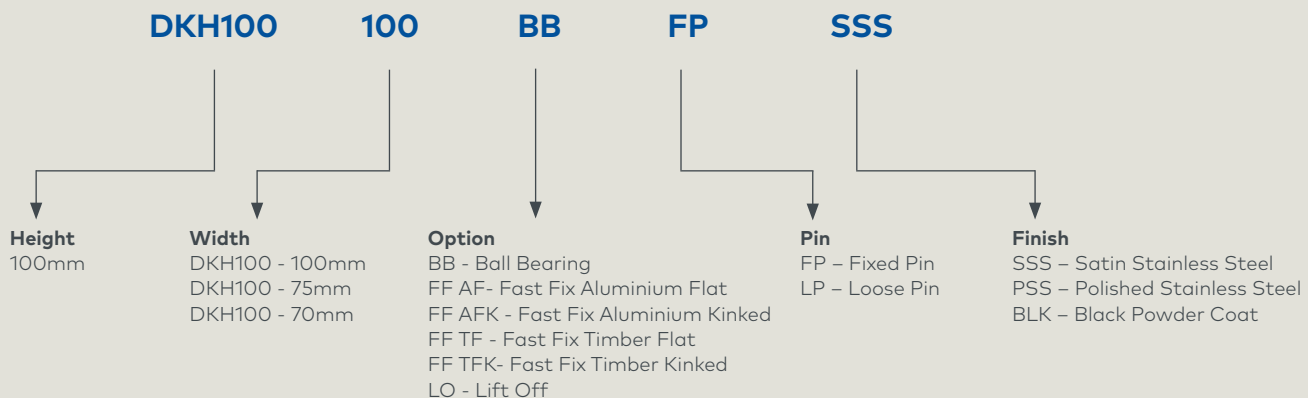
For the installer

- Complete fixings screws provided with all hinges to suit differing frame/door types.
- Fast fix hinges available in either Fully Flat or Kinked versions.

For the specifier/architect

- Complete Grade 304 Stainless Steel hinge.
- Suitable for use with timber, steel & aluminium doors and frames.

How to order



Applications

dormakaba Stainless Steel Butt hinges are highly recommended for commercial applications. When selecting hinges for doors that are heavy, solid core, fire doors or doors fitted with door closers or automatic door operators, ball bearing hinges should be used. Heavy doors in particular place shear load stress on the top hinge and in some circumstances it is necessary to install two hinges towards the top of the door to assist in alleviating this load.

Fire Rating

dormakaba hinges are approved to AS1905 Part 1

Hinge Height

Hinge height is always the first measurement shown. The height of the hinge is the length of the leaf, not including the tips of the pin. **01**

Hinge Width

Hinge width is always the second measurement. The width of the hinge is measured across both leaves when the hinge is fully opened. The door thickness and door jamb width determine the width of the hinge required. **01**

Lift Off

Lift off hinges allow a door to be removed by someone on the outside in the event of an emergency. Doors require a gap between the top of the door and the

underside of the head of the door frame to allow sufficient movement upwards for door release.

Loose Pin

Loose Pin hinges are capable of having the two leaves separated for ease of door installation or maintenance. For external doors or security applications loose pin hinges should not be used.

Fixed Pin

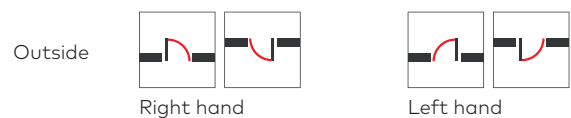
dormakaba fixed pin hinges feature an additional securing feature to prevent unauthorised separation of the hinge leaves. The hinge pin contains a recess that receives a concealed welded stud from the hinge knuckle, aiding against removal of the pin. **02**

Fixings

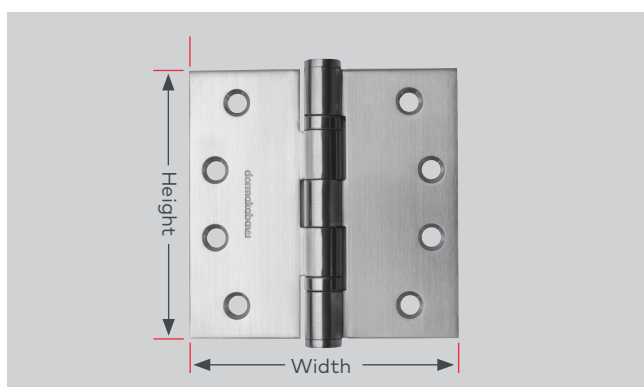
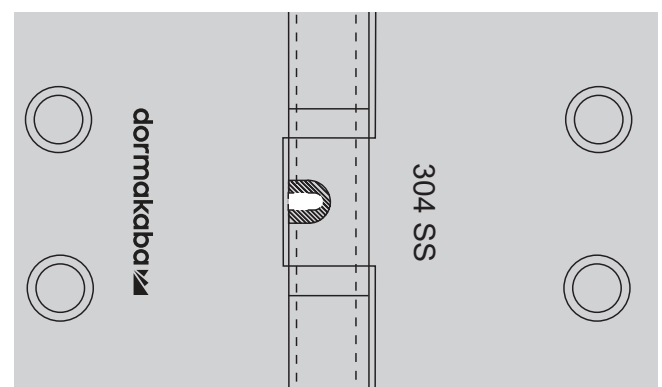
All hinges are supplied with stainless steel fixing screws.

Note: Short self tapping screws supplied with all fast fix hinges are for aluminium door and frame applications and should not be used for fixing hinges to timber doors or frames applications.

Handing



Door Thickness	Door Width	Door Height	Recommended Hinge Broad Butt
30mm to 45mm	≤ 900mm	≤ 2040mm	Internal doors - 2 x 100mm x 7 5mm External doors - 3 x 100mm x 75mm
30mm to 45mm	≤ 900mm	≤ 2340mm ≤ 3000mm	3 x 100mm x 75mm 4 x 100mm x 75mm
45mm to 55mm	≤ 1050mm	≤ 2040mm ≤ 2340mm ≤ 3000mm	3 x 100mm x 100mm 3 x 100mm x 100mm 4 x 100mm x 100mm

01**02**

Stainless Steel Hinges - Oct 2017
Subject to change without notice



www.dormakaba.com.au

dormakaba Australia
Head Office
46-52 Abbott Road
Hallam VIC 3803
T: 1800 675 411
info.au@dormakaba.com
www.dormakaba.com.au

dormakaba New Zealand
Head Office
Building P, 61-69 Patiki Road
Avondale, Auckland 1026
T: 0800 436 762
info.nz@dormakaba.com
www.dormakaba.co.nz