



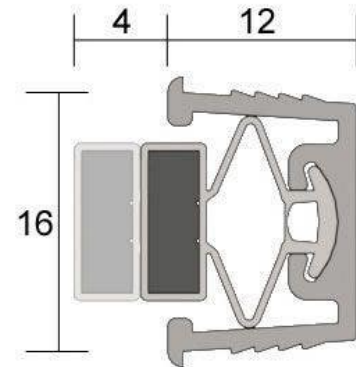
Kilargo IS6020 Magnetic Seal

- Clear Anodised Aluminium

LO-IS6020

PRODUCT OPTIONS

Door Seal Length: 1000mm
2250mm
2500mm



DESCRIPTION

The IS6020 magnetic seal is designed to be fitted to existing timber door leaves on double swing doors and sliding door meeting stiles. This seal has sufficient magnetic strength that latches may not be required. The aluminium carrier is toothed and splayed to lock into a 16.5mm x 12mm groove to prevent any 'creeping'.

Standard Lengths

1000mm
2250mm
2500mm
Also available in: 250mm increments from 1000mm to 3000mm (Special Order Only)

Standard Colours

Silver anodised aluminium with grey gasket and cover strip

Approvals

Acoustic ratings to AS1191 and ISO140.3

SPECIFICATION

MPN	IS6020
Brand	Kilargo
Product Width	16mm
Product Thickness	16mm
Product Finish or Colour	Clear Anodised (CA)
Product Material	Aluminium
Includes Fixing Screws	No
Fire Tested	No
Acoustic Rated to AS1191 and ISO140.3	Yes
Suitable for Smoke Doors	Yes
Suitable for Door Type	Timber Doors
Contains Intumescent Material	No
Seal Can Be Installed	Rebated
Gasket / Seal Colour	Grey
Gasket Material	Magnetic



Kilargo IS6020 Magnetic Seal - Clear Anodised Aluminium

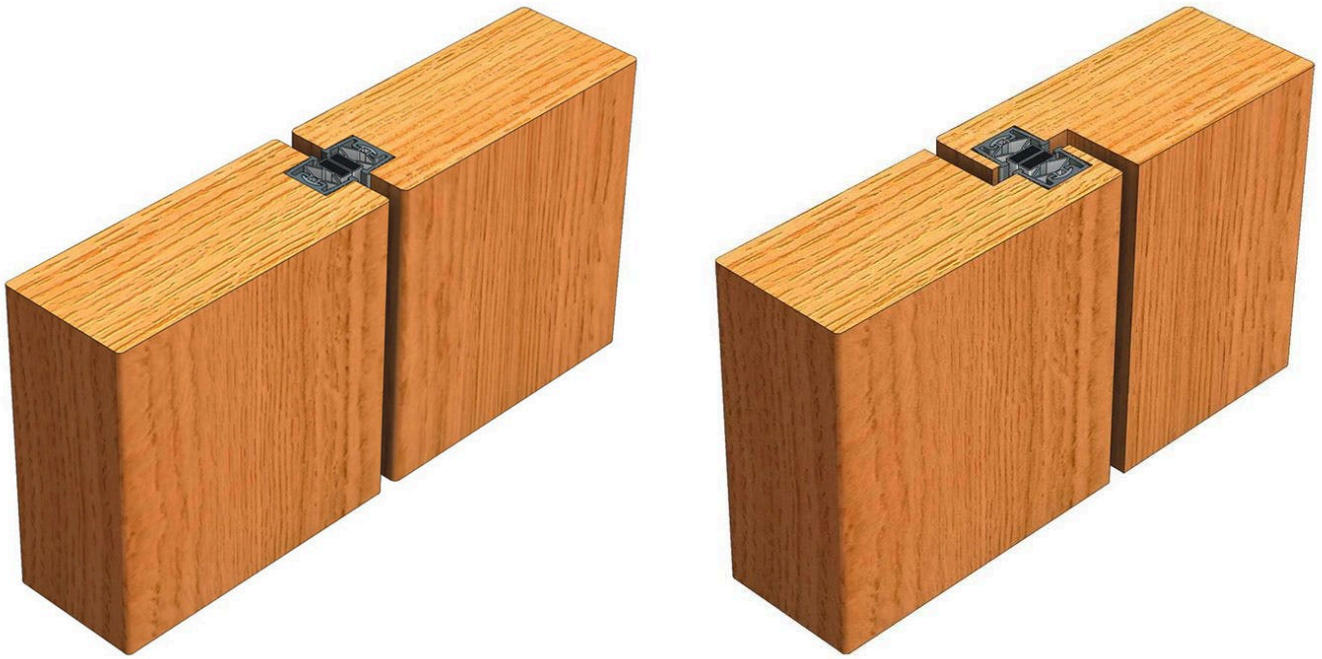
Scan to view online and for additional product information , or call us on **1800 555 600**.

Print Date: 24/4/24

**Self Adhesive
Product Warranty**

No
2 Years

ADDITIONAL IMAGES



Kilargo IS6020 Magnetic Seal - Clear Anodised Aluminium
Scan to view online and for additional product information , or call us on **1800 555 600**.

Print Date: 24/4/24