

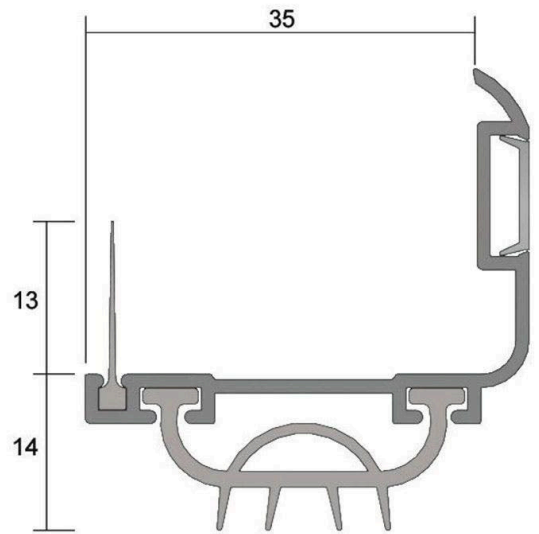


Kilargo IS3070si Door Bottom Seal 14mm - Clear Anodised Aluminium

LO-IS3070SI

PRODUCT OPTIONS

Door Seal Length: 1000mm
2250mm



DESCRIPTION

The IS3070si weather resistant door bottom seal can be fitted without removing the door, and can be used with alternative threshold plates. This seal provides effective containment against cold smoke, sound, dust, light, insects and weather. The aesthetic cover strip ensures there is no visible screw line.

Gap Size

Min. 12mm / Max. 20mm

Standard Lengths

1000mm

2250mm

Also available in: 250mm increments from 1000mm to 5000mm (Special Order Only)

Standard Colours

Silver anodised aluminium with grey silicone gasket & cover strip
(black silicone gasket also available to special order)

Fixing

Timber fixing screws are supplied with detailed fitting instructions
Fixing holes are pre-drilled to allow the seals to be positioned accurately

Approvals

Conforms to BCA Specification C3.4 for smoke doors (when fitted to compliant door leaves)

SPECIFICATION

MPN	IS3070SI
Brand	Kilargo
Product Height	41mm
Product Thickness	35mm
Product Finish or Colour	Clear Anodised (CA)
Product Material	Aluminium
Includes Fixing Screws	Yes
Fire Tested	No



Kilargo IS3070si Door Bottom Seal 14mm - Clear Anodised Aluminium

Scan to view online and for additional product information , or call us on **1800 555 600**.

Print Date: 26/4/24

Acoustic Rated to AS1191 and ISO140.3	Yes
Suitable for Smoke Doors	Yes
Suitable for Door Type	Timber Doors
Contains Intumescent Material	No
Seal Can Be Installed	Surface Fix
Brush / Gasket Length	14mm
Gasket / Seal Colour	Grey
Gasket Material	Silicon Impregnated
Min Door Gap	12mm
Max Door Gap	20mm
Product Warranty	2 Years

ADDITIONAL IMAGES



Kilargo IS3070si Door Bottom Seal 14mm - Clear Anodised Aluminium
Scan to view online and for additional product information , or call us on **1800 555 600**.

Print Date: 26/4/24