

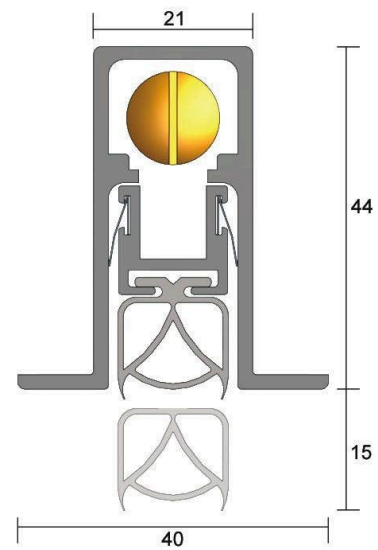


Kilargo IS8100si Automatic Door Bottom Seal - Clear Anodised Aluminium

LO-IS8100SI

PRODUCT OPTIONS

Door Seal Length: 450mm
610mm
820mm
920mm
1070mm
1220mm
1500mm



DESCRIPTION

A heavy duty, automatic door bottom seal which is fully-mortised into the bottom edge of single action doors. The seal has a spring loaded mechanism which lifts the seal clear of the floor as soon as the door is opened. Pressure against the door jamb on the adjustable brass strike button operates the seal automatically. The seal is mounted into a 43mm deep x 21mm wide machined groove along the underside of the door. The seal is screw-fixed into position through the mounting flanges. Aesthetic, rigid nylon push-fit end plates (or screw-fixed cast aluminium end plates) ensure longevity of the seal mechanism. The seal contains a high efficiency mechanism to assist with the closing force requirements detailed in AS1428/1 (Design for Access and Mobility).

Gap Size

Min. 3mm / Max. 15mm

Standard Lengths with Maximum Cut-back sizes

450mm seal cuts to 275mm
610mm seal cuts to 450mm
820mm seal cuts to 610mm
920mm seal cuts to 820mm
1070mm seal cuts to 920mm
1220mm seal cuts to 1070mm
1500mm seal cuts to 1220mm
(*Seals can be cut on site for exact dimension)

Standard Colours

Silver anodised aluminium with grey end plates and grey silicone gasket

Approvals

Fire tested to AS1530 Part 4
Conforms to BCA Specification C3.4 for smoke doors
Acoustic ratings to AS1191 and ISO140.3
Durability tests demonstrating over 1,000,000 open and close cycles

SPECIFICATION



Kilargo IS8100si Automatic Door Bottom Seal - Clear Anodised Aluminium
Scan to view online and for additional product information , or call us on **1800 555 600**.

Print Date: 27/4/24

MPN	IS8100SI
Brand	Kilargo
Product Height	44mm
Product Thickness	40mm
Product Finish or Colour	Clear Anodised (CA)
Product Material	Aluminium
Includes Fixing Screws	Yes
Fire Tested	Yes
Suitable for Smoke Doors	Yes
Acoustic Rated to AS1191 and ISO140.3	Yes
Suitable for Door Type	Timber Doors
Contains Intumescent Material	No
Seal Can Be Installed	Concealed
Gasket / Seal Colour	Grey
Gasket Material	Silicon Impregnated
Min Door Gap	3mm
Max Door Gap	15mm
Product Warranty	2 Years

ADDITIONAL IMAGES



Kilargo IS8100si Automatic Door Bottom Seal - Clear Anodised Aluminium
 Scan to view online and for additional product information , or call us on **1800 555 600**.

Print Date: 27/4/24