

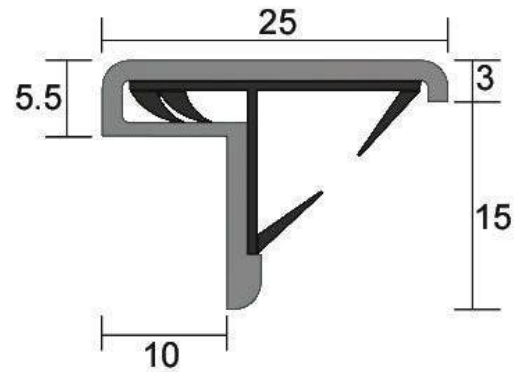


Kilargo IS7061 Meeting Style - Astragal Seal - Clear Anodised Aluminium

LO-IS7061

PRODUCT OPTIONS

Door Seal Length: 2250mm
2500mm
3000mm



DESCRIPTION

An astragal seal used with either plain or rebated meeting stiles on single swing, double doors (where only one door leaf is active). It provides an excellent acoustic, smoke, light, dust and weather seal. This seal combines with proven smoke and acoustic performance, sealing on two faces of the door surface. The thin fixing leg allows this seal to be face fixed to the door (no rebating required). This leg can also be checked to make way for locks and latches.

Gap Size

Min. 2.5mm / Max. 6mm

Standard Lengths

2250mm
2500mm
3000mm

Also available in: 250mm increments from 2000mm to 3500mm (Special Order Only)

Standard Finishes

Silver anodised aluminium with black sealing blades

Fixing

A door sequence selector should be considered unless one leaf is intended to be fixed

Approvals

Medium temperature smoke leakage approvals to AS1530 Part 7 available on proprietary door assemblies

Conforms with NCC Specification C3.4 smoke sealing requirements

Acoustically tested in accordance with AS1191, ISO140.3 and ISO10140-2

Durability tests demonstrating over 100,000 open & close cycles

SPECIFICATION

MPN	IS7061
Brand	Kilargo
Product Width	25mm
Product Thickness	18mm
Product Finish or Colour	Clear Anodised (CA)



Kilargo IS7061 Meeting Style - Astragal Seal - Clear Anodised Aluminium

Scan to view online and for additional product information , or call us on **1800 555 600**.

Print Date: 27/4/24

Product Material	Aluminium
Includes Fixing Screws	Yes
Fire Tested	No
Acoustic Rated to AS1191 and ISO140.3	Yes
Suitable for Smoke Doors	Yes
Suitable for Door Type	Timber Doors
Contains Intumescent Material	No
Seal Can Be Installed	Surface Fix
Gasket / Seal Colour	Black
Gasket Material	Silicon
Min Door Gap	2.5mm
Max Door Gap	6mm
Self Adhesive	No
Product Warranty	2 Years

ADDITIONAL IMAGES



Kilargo IS7061 Meeting Style - Astragal Seal - Clear Anodised Aluminium
Scan to view online and for additional product information , or call us on **1800 555 600**.

Print Date: 27/4/24