

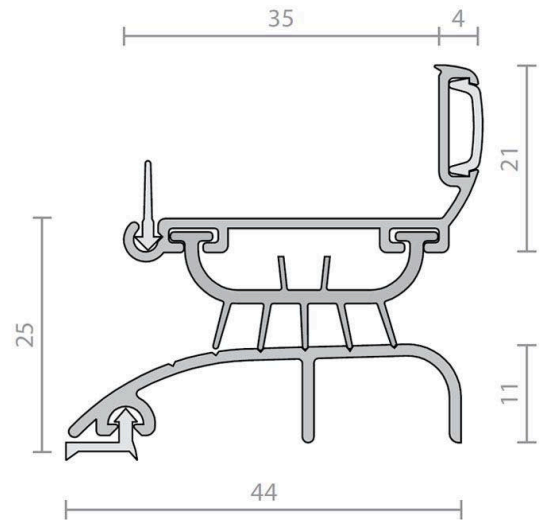


# Raven RP4 Door Bottom Sweep Seal 25mm - Clear Anodised Aluminium

RP4

## PRODUCT OPTIONS

Door Seal Length: 915mm  
1000mm  
1250mm  
1500mm  
1750mm  
2000mm  
3000mm



## DESCRIPTION

A storm proof door bottom seal and threshold plate that is ideal where maximum weather protection is required. The RP4 multi-blade seal defies rain infiltration.

Can be fitted to the square cut bottom of a door without removing the door, provided there is an existing gap of 25mm. It is quick and easy to fit to both door and sill.

The sealing section is slotted for adjustment.

Also available as an intumescent fire and hot smoke seal. Refer to RP4FZ.

Location: Bottom of single and double butt hinged doors and sill.

Min/Max Gap: 23mm to 25mm.

Finish: Satin clear (silver), bronze or bright gold anodised aluminium (15micron) with anodised threshold plate (25micron).

Fixing: Concealed screw fix. Zinc plated, cross recess head S.T. screws and cover strip supplied. Fixing holes are pre-slotted. Threshold plate fixing holes are pre-punched and countersunk.

Seal: RP404, RP404a and RP404b. Grey PVC.

Sizes: Available in stock lengths.

## Approvals

Access & Mobility NZ: NZ BC Compliance Doc D1/AS1 1.3.2. Fire Approved

UK/EU: Approved Document M.

Energy NCC Pt. 3.12.3.3 & J3.4.

## SPECIFICATION