

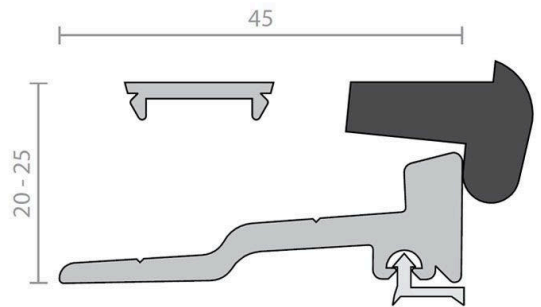


Raven RP54 Door Bottom Sweep Seal 25mm - Clear Anodised Aluminium

RP54

PRODUCT OPTIONS

Door Seal Length: 915mm
1000mm
3000mm



DESCRIPTION

A heavy duty storm proof weather seal ideal for residential and commercial applications where maximum weather protection is required. The RP54 (Daniels Patent) is a door bottom seal and threshold plate combination suitable for inward opening butt hinged doors. Can be used in conjunction with Raven door frame or perimeter seals.

Location: Bottom of single and double inward opening butt hinged timber doors.

Min/Max Gap: 22mm to 25mm.

Finish: Satin clear (silver) or bronze anodised aluminium (25micron).

Fixing: Screw and nail fix. Zinc plated, cross recess head S.T. screws and zinc plated nails supplied.

Seal: RP354. Black EPDM. RP404a. Grey flexible PVC.

Sizes: Available in stock lengths.

Approvals

Access & Mobility NZ: NZ BC Compliance Doc. D1/AS1 1.3.2.

Fire AUS/NZ: AS1530.4 & AS/NZS 1905.1.

UK/EU: Tests above are similar to BS EN 1634-1, BS 476 Pt. 20 & 22.

FRL & FRR-/60/30 and FD60. Fire Approved

Energy NCC Pt. 3.12.3.3 & J3.4.

SPECIFICATION