

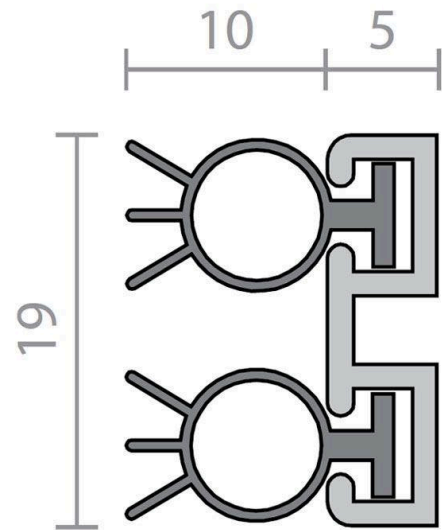


Raven RP44Si Perimeter Seal - Clear Anodised Aluminium

RP44Si

PRODUCT OPTIONS

Door Seal Length: 1000mm
2250mm
2500mm
3000mm



DESCRIPTION

An effective acoustic and medium temperature smoke seal, the RP44Si has two extruded silicon bulb gaskets and can be mitred or butt jointed for a neat finish. Can be installed on door stops with sufficient depth and broad butt hinges should be specified.

Note: Check backset door latch requirements.

Location: Head and jambs of single and double, broad butt hinged doors or bulkhead applications.

Min/Max Gap: 8mm to 10mm (allow 13mm to 14mm for installation, refer to product dimensions).

Finish: Satin clear (silver) anodised aluminium (15micron) or paint at extra cost.

Fixing: Screw fix. Zinc plated, cross recess head S.T. screws supplied.

Seal: RP308Si. Grey silicon rubber (SE).

Sizes: Available in stock lengths.

Approvals

Smoke AUS/NZ: NCC Spec. C3.4. NZ BC Compliance Doc C/AS1 6.19.2(b).

UK/EU: Approved Document B.

Gasket flammability index 1 when tested to AS1530.2.

Energy NCC Pt. 3.12.3.3 & J3.4.

SPECIFICATION

MPN	A44SiC
Brand	Raven
Product Width	15mm
Product Height	19mm
Product Finish or Colour	Clear Anodised (CA)
Product Material	Aluminium
Includes Fixing Screws	Yes
Fire Tested	No
Acoustic Rated to AS1191 and ISO140.3	Yes
Suitable for Smoke Doors	Yes
Suitable for Door Type	Timber Doors, Aluminium Doors
Bush Fire Attack Level	BAL<40
Contains Intumescent Material	No
Seal Can Be Installed	Surface Fix
Gasket / Seal Colour	Grey



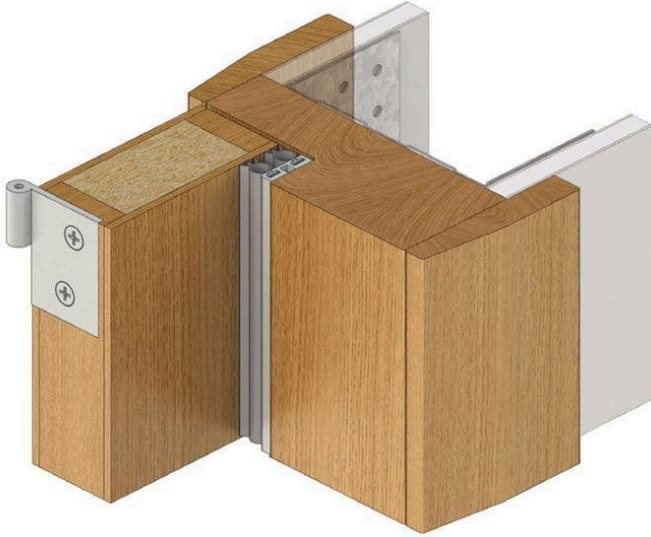
Raven RP44Si Perimeter Seal - Clear Anodised Aluminium

Scan to view online and for additional product information, or call us on 1800 555 600.

Print Date: 26/4/24

Gasket Material	Silicon
Min Door Gap	8mm
Max Door Gap	10mm
Self Adhesive	No
Product Warranty	2 Years

ADDITIONAL IMAGES



Raven RP44Si Perimeter Seal - Clear Anodised Aluminium
Scan to view online and for additional product information , or call us on **1800 555 600**.

Print Date: 26/4/24