

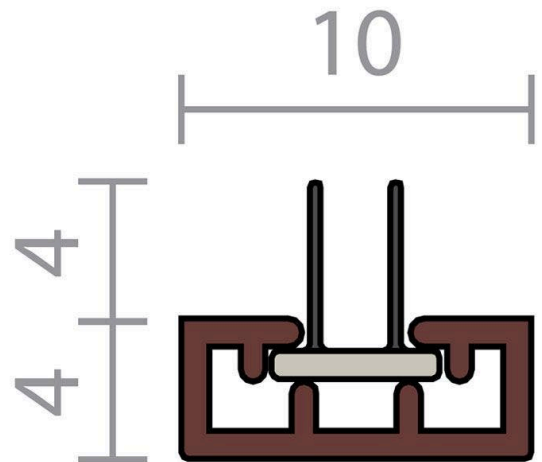


Raven RP56 Perimeter Seal - Bronze

RP56

PRODUCT OPTIONS

Door Seal Length: 1000mm
2250mm
3000mm



DESCRIPTION

A PVC finned sweep seal designed to fit into a groove around the perimeter of a timber door or frame to reduce noise and air movement. This unobtrusive seal is discrete in appearance and does not restrict the doors operation.

The RP56 can be used in conjunction with Raven automatic door bottom seals and brush strip seals.

Note: Check latching requirements.

Location: Perimeter of internal timber doors or frame.

Min/Max Gap: 2mm to 4mm.

Fixing: Adhesive fix into a 10mm x 4mm groove.

Seal: RP469. Black flexible PVC. Bronze rigid PVC holder.

Sizes: Available in stock lengths.

Approvals

Fire AUS/NZ: NCC Spec. C3.4. AS1530.4 & AS/NZS 1905.1. NZ BC Compliance Doc. C/AS1 6.19.2(a) & App. C6.1.1.

UK/EU: Approved Document B. Tests above are similar to BS EN 1634-1 & BS 476 Pt. 20 & 22.

FRL & FRR-/60/30 and FD60. Fire Approved on door bottom only.

Energy NCC Pt. 3.12.3.3 & J3.4.

SPECIFICATION

MPN	A561
Brand	Raven
Product Width	10mm
Product Height	8mm
Product Finish or Colour	Bronze Anodised (BA)
Product Material	PVC
Includes Fixing Screws	No
Fire Tested	Yes
Acoustic Rated to AS1191 and ISO140.3	Yes
Suitable for Smoke Doors	Yes
Suitable for Door Type	Timber Doors
Bush Fire Attack Level	BAL<29
Contains Intumescent Material	No
Seal Can Be Installed	Rebated
Gasket / Seal Colour	Black



Raven RP56 Perimeter Seal - Bronze

Scan to view online and for additional product information, or call us on **1800 555 600**.

Print Date: 26/4/24

Gasket Material	Flexible PVC
Min Door Gap	2mm
Max Door Gap	4mm
Self Adhesive	Yes
Product Warranty	2 Years

ADDITIONAL IMAGES



Raven RP56 Perimeter Seal - Bronze

Scan to view online and for additional product information , or call us on **1800 555 600**.

Print Date: 26/4/24