

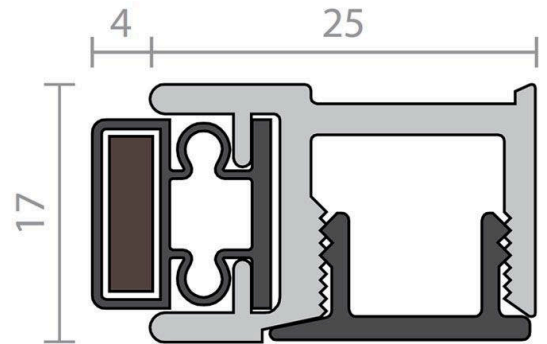


Raven RP85 Perimeter Seal - Clear Anodised Aluminium

RP85

PRODUCT OPTIONS

Door Seal Length: 2250mm
3000mm



DESCRIPTION

A refrigeration type vinyl magnetic strip in an anodised aluminium housing with concealed fixings. RP85 provides a tight seal for steel clad doors and jambs and may be used as a stop. For timber doors, a thin steel strip can be attached to the door face. The magnetic strip has sufficient closing strength that latches may not be required.

Can be used in conjunction with Raven door bottom seals and astragals.

Note: If fixing to rebated frames of single doors, specify a long backset door latch.

Location: Head and jambs of single and double butt hinged doors.

Min/Max Gap: 0mm to 4mm (user determined).

Finish: Satin clear (silver) anodised aluminium (15µm) or paint at extra cost.

Fixing: Concealed screw fix. Zinc plated, cross recess head S.T. screws and cover strip supplied.

Seal: Black PVC.

Sizes: Available in stock lengths.

Approvals

Acoustic AUS/NZ: NCC Spec. F5.5.

UK/EU: Approved Document E. Rated to BS EN ISO 717.1.

Energy NCC Pt. 3.12.3.3 & J3.4.

SPECIFICATION

MPN	A85C
Brand	Raven
Product Width	29mm
Product Height	17mm
Product Warranty	2 Years
Product Finish or Colour	Clear Anodised (CA)
Product Material	Aluminium
Includes Fixing Screws	Yes
Fire Tested	No
Acoustic Rated to AS1191 and ISO140.3	Yes
Suitable for Smoke Doors	Yes
Suitable for Door Type	Timber Doors, Aluminium Doors
Bush Fire Attack Level	BAL<29
Contains Intumescent Material	No



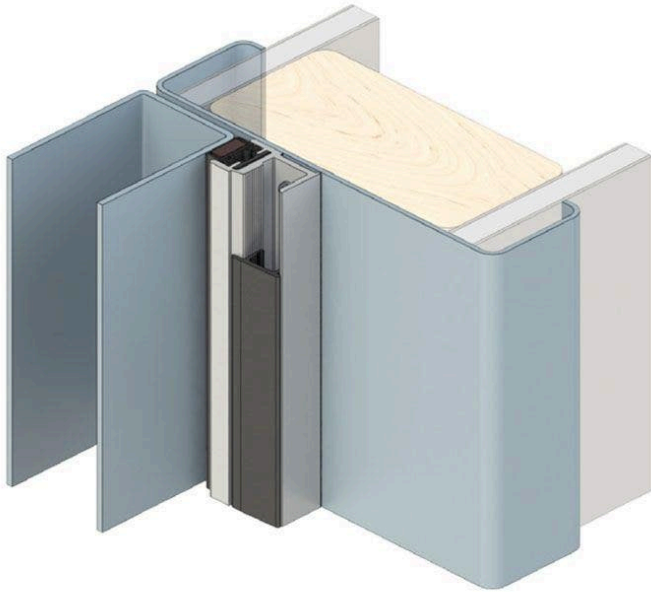
Raven RP85 Perimeter Seal - Clear Anodised Aluminium

Scan to view online and for additional product information , or call us on **1800 555 600**.

Print Date: 2/5/24

Seal Can Be Installed	Surface Fix
Gasket / Seal Colour	Black
Gasket Material	PVC
Min Door Gap	0mm
Max Door Gap	4mm
Self Adhesive	Yes

ADDITIONAL IMAGES



Raven RP85 Perimeter Seal - Clear Anodised Aluminium
Scan to view online and for additional product information , or call us on **1800 555 600**.

Print Date: 2/5/24