

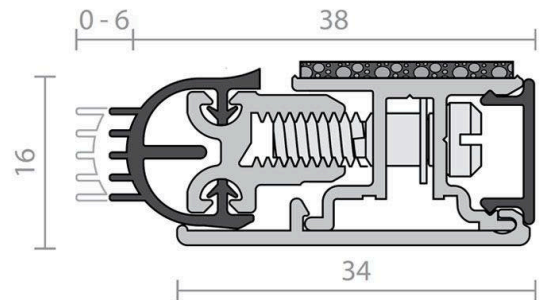


Raven RP87Si Perimeter Seal - Clear Anodised Aluminium

RP87SI

PRODUCT OPTIONS

Door Seal Length: 1000mm
2500mm
3000mm
Single Door Set (1x1000mm, 2x2100mm)
Double Door Set (3x2100mm)
Long Single Door Set (1x1000mm, 2x2750mm)
Long Double Door Set (1x2000mm, 2x2750mm)



DESCRIPTION

RP87Si is an effective door stop seal for noise, light and smoke. It can be butt jointed for a neatly finished continuous seal, replacing the conventional doorstop on metal or timber framed doors. With tamper proof concealed fixings, the RP87Si utilises independently adjustable screws to achieve up to 6mm sealing adjustment for maximum noise control. The silicon rubber seal only requires normal door closing force. Note: If fixing to rebated frames of single doors, specify a long backset door latch.

Location: Head and jambs of single and double butt hinged doors.

Min/Max Gap: 0mm to 6mm.

Finish: Satin clear (silver) anodised aluminium (15micron) (or black anodised or paint at extra cost special order).

Fixing: Concealed screw fix. Zinc plated, cross recess head S.T. screws and cover strip supplied.

Seal: RP310Si. Black silicon rubber (SE).

Sizes: Available in door set sizes or stock lengths.

Approvals

UL Cert. GVYI.R37913.

Acoustic AUS/NZ: NCC Spec. F5.5.

UK/EU: Approved Document E. Rated to BS EN ISO 717.1.

Fire AUS/NZ: NCC Spec. C3.4. AS1530.4 & AS/NZS 1905.1. NZ BC Compliance Doc. C/AS1 6.19.2 & App. C6.1.1.

UK/EU: Approved Document B. BS EN 1634-1.

FRL & FRR-/240/30 and FD240. Fire Approved

Gasket flammability index 1 when tested to AS1530.2.

Smoke NCC Spec. C3.4. AS1530.7 & BS EN 1634-3. Meets smoke leakage rates specified in AS6905 & EN 13501-2 "Sa", "Sm".

Energy NCC Pt. 3.12.3.3 & J3.4.

Registered Design.

SPECIFICATION