

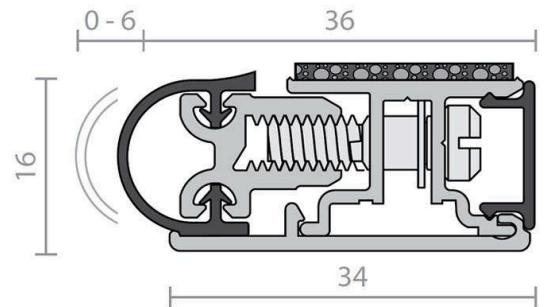


# Raven RP87HSi Perimeter Seal - Clear Anodised Aluminium

RP87HSI

## PRODUCT OPTIONS

Door Seal Length: Single Door Set (1x1000mm, 2x2100mm)  
Double Door Set (3x2100mm)  
Long Single Door Set (1x1000mm, 2x2750mm)  
Long Double Door Set (1x2000mm, 2x2750mm)



## DESCRIPTION

Designed for clean room and health care facilities, the RP87HSi has an easy wipe clean design where the smooth silicon sealing gasket also contains an antimicrobial additive for maximum protection against surface bacteria.

RP87HSi is an effective door stop seal for noise, light and medium temperature smoke. It can be butt jointed for a neatly finished continuous seal, replacing the conventional doorstop on metal or timber framed doors. With tamper proof concealed fixings, the RP87HSi utilises independently adjustable screws to achieve up to 6mm sealing adjustment for maximum noise control. The silicon seal only requires normal door closing force.

Note: If fixing to rebated frames of single doors, specify a long backset door latch.

Location: Head and jambs of single and double butt hinged doors.

Min/Max Gap: 0mm to 6mm.

Finish: Satin clear (silver) anodised aluminium (15micron) or paint finish at extra cost special order).

Fixing: Concealed screw fix. Zinc plated, cross recess head S.T. screws and cover strip supplied.

Seal: RP384Si. Black silicon rubber (SE).

Sizes: Available in door set sizes.

### Approvals

Acoustic AUS/NZ: NCC Spec. F5.5.

UK/EU: Approved Document E. Rated to BS EN ISO 717.1.

Fire AUS/NZ: NCC Spec. C3.4. AS1530.4 & AS/NZS 1905.1. NZ BC Compliance Doc. C/AS1 6.19.2 & App. C6.1.1.

UK/EU: Approved Document B.

FRL & FRR-/240/30 and FD240. Fire Approved

Gasket flammability index 1 when tested to AS1530.2.

Smoke NCC Spec. C3.4. AS1530.7 & BS EN 1634-3. Meets smoke leakage rates specified in AS6905 & EN 13501-2 "Sa", "Sm".

Energy NCC Pt. 3.12.3.3 & J3.4.

## SPECIFICATION