

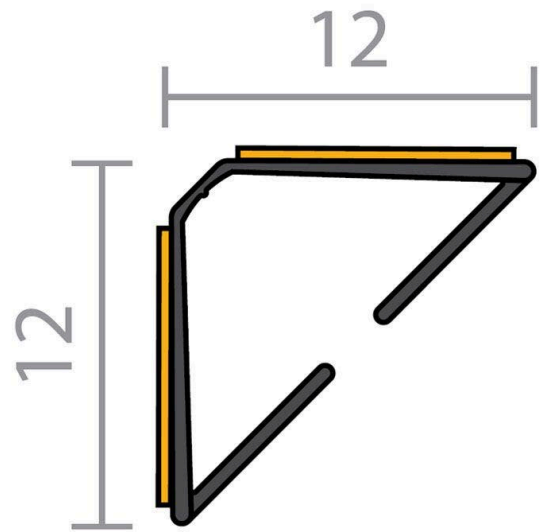


Raven RP120 Perimeter Seal - Black

RP120

PRODUCT OPTIONS

Door Seal Length: Single Door Set (1x1000mm, 2x2100mm)
Double Door Set (3x2100mm)
Long Single Door Set (1x1000mm, 2x2750mm)
Long Double Door Set (1x2000mm, 2x2750mm)



DESCRIPTION

Delta Seal

RP120 is a co-extruded PVC acoustic and smoke seals. Discreetly located in the protected corners of rebated timber or steel door and window frames. RP120 is suitable for new and retrofit applications.

Can be used in conjunction with Raven door bottom seals and astragals and threshold plates.

Location: Around rebated frames of single and double butt hinged doors and windows.

Min/Max Gap: 3mm to 5.5mm.

Fixing: Aggressive self adhesive backing tape on both sides of the carrier.

Note: Contact surface must be clean, smooth and if painted, well cured.

Seal: Black co-extruded rigid and flexible flame retardant PVC.

Sizes: Available in door set sizes.

Approvals

UL Cert. GVYI.R37913.

Acoustic AUS/NZ: NCC Spec. F5.5.

UK/EU: Approved Document E. Rated to BS EN ISO 717.1.

Fire AUS/NZ: NCC Spec. C3.4. AS1530.4 & AS/NZS 1905.1. NZ BC Compliance Doc. C/AS1 6.19.2 & App. C6.1.1.

UK/EU: Approved Document B. (Tests above are similar to BS EN 1634-1 & BS 476 Pt. 20 & 22).

FRL & FRR-/240/30 and FD240. Fire Approved

Smoke NCC Spec. C3.4. AS1530.7 & BS EN 1634-3. Meets smoke leakage rates specified in AS6905 & EN 13501-2

Energy NCC Pt. 3.12.3.3 & J3.4.

SPECIFICATION