

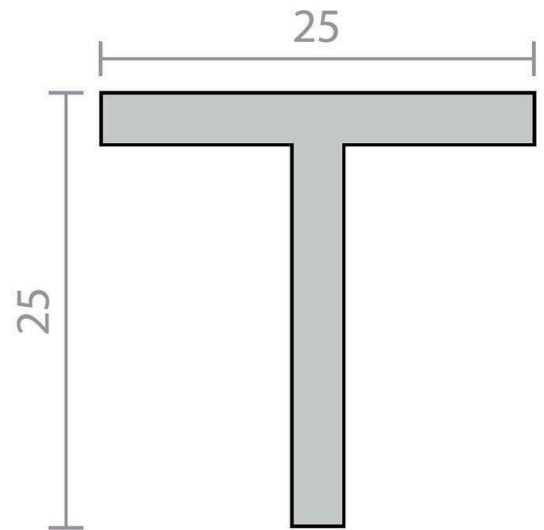


## Raven RP37 Astragal Strip - Clear Anodised Aluminium

RP37

### PRODUCT OPTIONS

Door Seal Length: 2250mm  
2500mm  
3000mm



### DESCRIPTION

A simple heavy duty 'T' section to provide security for meeting stiles.

Location: Meeting stiles of doors.

Finish: Satin clear (silver) anodised aluminium (15micron) or paint at extra cost.

Fixing: Screw fix. Zinc plated, cross recess head CSK S.T. screws supplied. Fixing holes are pre-drilled.

Sizes: Available in stock lengths.

### SPECIFICATION

<b>MPN</b>	A37C
<b>Brand</b>	Raven
<b>Product Width</b>	25mm
<b>Product Thickness</b>	25mm
<b>Product Finish or Colour</b>	Clear Anodised (CA)
<b>Product Material</b>	Aluminium
<b>Includes Fixing Screws</b>	Yes
<b>Fire Tested</b>	No
<b>Acoustic Rated to AS1191 and ISO140.3</b>	No
<b>Suitable for Smoke Doors</b>	No
<b>Suitable for Door Type</b>	Timber Doors
<b>Bush Fire Attack Level</b>	BAL<40
<b>Contains Intumescent Material</b>	No
<b>Seal Can Be Installed</b>	Surface Fix
<b>Self Adhesive</b>	No
<b>Product Warranty</b>	2 Years

### ADDITIONAL IMAGES



#### Raven RP37 Astragal Strip - Clear Anodised Aluminium

Scan to view online and for additional product information , or call us on **1800 555 600**.

Print Date: 26/4/24



**Raven RP37 Astragal Strip - Clear Anodised Aluminium**

*Scan to view online and for additional product information , or call us on **1800 555 600**.*

*Print Date: 26/4/24*