

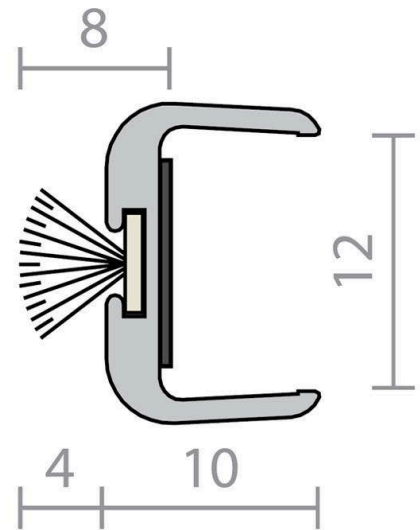


# Raven RP79 Astragal for Frameless Glass - Clear Anodised Aluminium

RP79

## PRODUCT OPTIONS

Door Seal Length: 2500mm  
3000mm



## DESCRIPTION

Aluminium astragal seals designed for frameless glass doors. The woven pile sealing strip is combined with a weather fin to form an effective weather and energy seal.

Use in conjunction with Raven brush strip door bottom seals RP2b, RP74 and threshold plates.

Location: Meeting stiles of 12mm thick frameless glass doors.

Min/Max Gap: 8mm to 9mm (prior to installation).

Finish: Satin clear (silver) anodised aluminium (15micron).

Fixing: Self adhesive.

Note: Contact surface must be clean, smooth and if painted, well cured.

Seal: Black polypropylene pile with weather fin.

Sizes: Available in stock lengths.

Approvals

Energy NCC Pt. 3.12.3.3 & J3.4.

## SPECIFICATION

<b>MPN</b>	A79C
<b>Brand</b>	Raven
<b>Product Width</b>	12mm
<b>Product Thickness</b>	14mm
<b>Product Finish or Colour</b>	Clear Anodised (CA)
<b>Product Material</b>	Aluminium
<b>Includes Fixing Screws</b>	No
<b>Fire Tested</b>	No
<b>Acoustic Rated to AS1191 and ISO140.3</b>	No
<b>Suitable for Smoke Doors</b>	Yes
<b>Suitable for Door Type</b>	Glass Doors
<b>Bush Fire Attack Level</b>	BAL<29
<b>Contains Intumescent Material</b>	No
<b>Seal Can Be Installed</b>	Surface Fix
<b>Gasket / Seal Colour</b>	Transparent
<b>Gasket Material</b>	Polypropylene



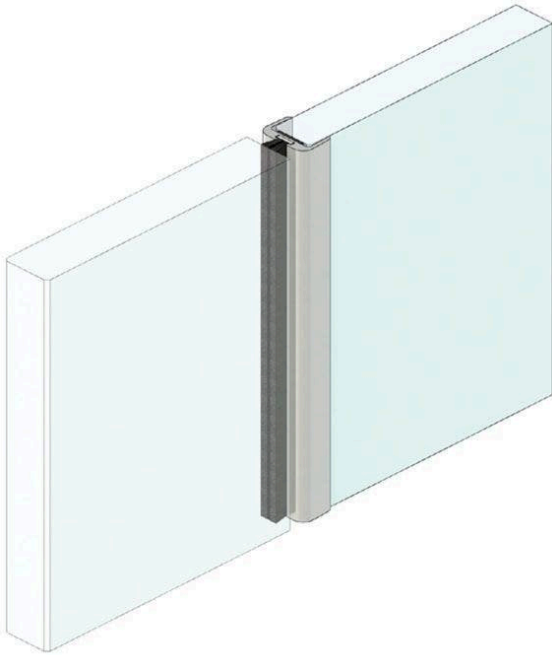
### Raven RP79 Astragal for Frameless Glass - Clear Anodised Aluminium

Scan to view online and for additional product information , or call us on **1800 555 600**.

Print Date: 27/4/24

<b>Min Door Gap</b>	8mm
<b>Max Door Gap</b>	9mm
<b>Self Adhesive</b>	Yes
<b>Product Warranty</b>	2 Years

### ADDITIONAL IMAGES



**Raven RP79 Astragal for Frameless Glass - Clear Anodised Aluminium**  
Scan to view online and for additional product information , or call us on **1800 555 600**.

Print Date: 27/4/24