

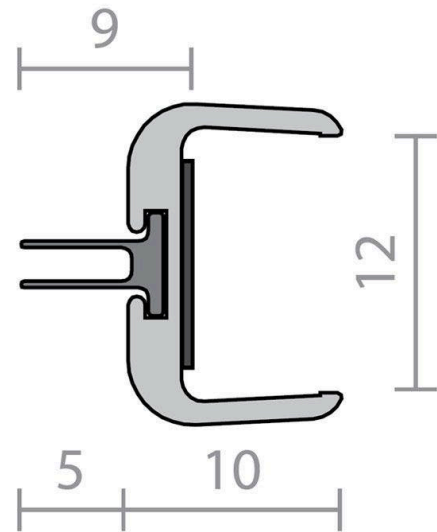


Raven RP79Si Astragal for Frameless Glass - Clear Anodised Aluminium

RP79SI

PRODUCT OPTIONS

Door Seal Length: 2500mm
3000mm



DESCRIPTION

Aluminium astragal seals designed for frameless glass doors. The woven pile sealing strip is combined with a weather fin to form an effective weather and energy seal.

Use in conjunction with Raven brush strip door bottom seals RP2b, RP74 and threshold plates.

Location: Meeting stiles of 12mm thick frameless glass doors.

Min/Max Gap: 8mm to 9mm (prior to installation).

Finish: Satin clear (silver) anodised aluminium (15micron) (SPECIAL ORDER BLACK).

Fixing: Self adhesive.

Note: Contact surface must be clean, smooth and if painted, well cured.

Seal: Black polypropylene pile with weather fin.

Sizes: Available in stock lengths.

Approvals

Energy NCC Pt. 3.12.3.3 & J3.4.

SPECIFICATION

MPN	A79SIC
Brand	Raven
Product Width	12mm
Product Thickness	15mm
Product Finish or Colour	Clear Anodised (CA)
Product Material	Aluminium
Includes Fixing Screws	No
Fire Tested	No
Acoustic Rated to AS1191 and ISO140.3	No
Suitable for Smoke Doors	Yes
Suitable for Door Type	Glass Doors
Bush Fire Attack Level	BAL<29
Contains Intumescent Material	No
Seal Can Be Installed	Surface Fix
Gasket / Seal Colour	Black
Gasket Material	Silicon



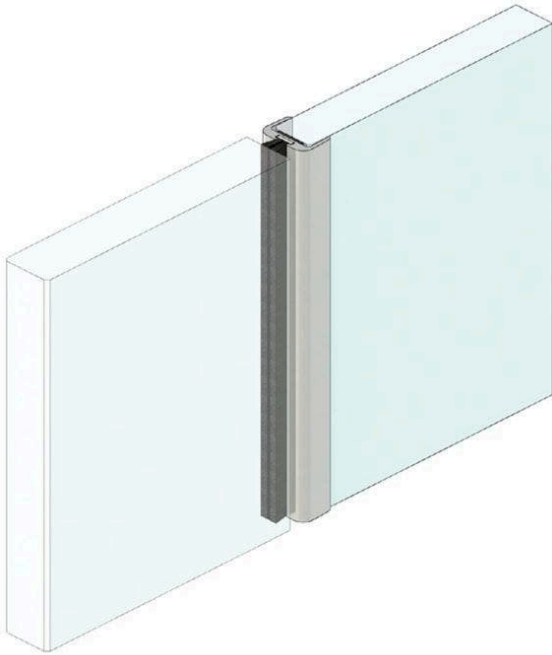
Raven RP79Si Astragal for Frameless Glass - Clear Anodised Aluminium

Scan to view online and for additional product information , or call us on **1800 555 600**.

Print Date: 27/4/24

Min Door Gap	8mm
Max Door Gap	9mm
Self Adhesive	Yes
Product Warranty	2 Years

ADDITIONAL IMAGES



Raven RP79Si Astragal for Frameless Glass - Clear Anodised Aluminium
Scan to view online and for additional product information , or call us on **1800 555 600**.

Print Date: 27/4/24