

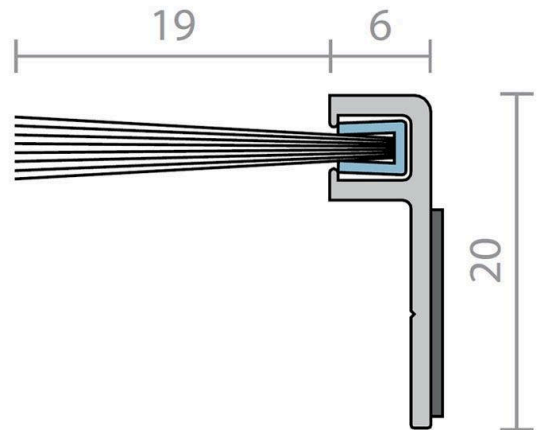


Raven RP49 Brush Seal 19mm - Clear Anodised Aluminium

RP49

PRODUCT OPTIONS

Door Seal Length: 1000mm
2000mm
2250mm
3000mm



DESCRIPTION

A versatile nylon brush strip seal with a 90 degree angled aluminium carrier.

Location: Frame or stiles of sliding doors (user determined).

Finish: Satin clear (silver), bronze anodised aluminium (15micron) or paint at extra cost.

Fixing: Self adhesive or can be screw fixed. Note: Contact surface must be clean, smooth and if painted, well cured.

Seal: Black fine, dense, UV stabilised nylon filaments.

Sizes: Available in stock lengths.

Approvals

Energy NCC Pt. 3.12.3.3 & J3.4.

Fire Approved when used on a garage in accordance with AS 3959.

SPECIFICATION

MPN	A49C
Brand	Raven
Product Height	20mm
Product Thickness	25mm
Product Finish or Colour	Clear Anodised (CA)
Product Material	Aluminium
Includes Fixing Screws	Yes
Fire Tested	No
Acoustic Rated to AS1191 and ISO140.3	No
Suitable for Smoke Doors	Yes
Suitable for Door Type	Timber Doors, Aluminium Doors
Bush Fire Attack Level	BAL <29
Contains Intumescent Material	No
Seal Can Be Installed	Surface Fix
Brush / Gasket Length	19mm
Gasket Material	Nylon Brush
Self Adhesive	Yes
Product Warranty	2 Years

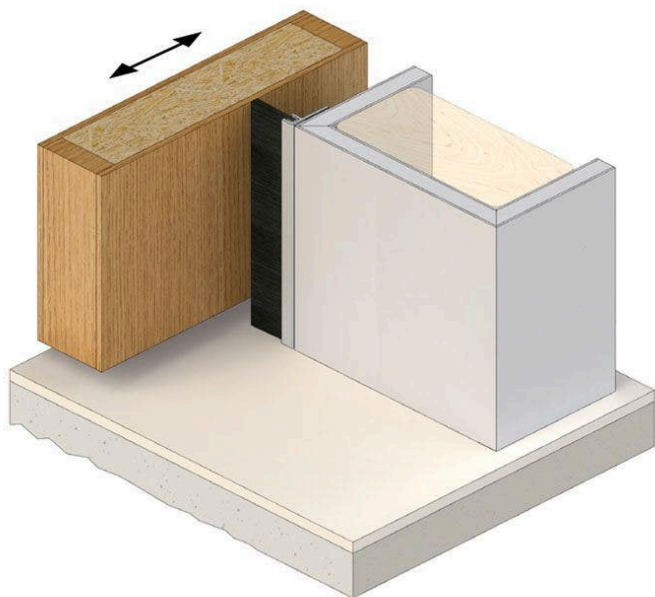


Raven RP49 Brush Seal 19mm - Clear Anodised Aluminium

Scan to view online and for additional product information , or call us on **1800 555 600**.

Print Date: 26/4/24

ADDITIONAL IMAGES



Raven RP49 Brush Seal 19mm - Clear Anodised Aluminium
Scan to view online and for additional product information , or call us on **1800 555 600**.

Print Date: 26/4/24